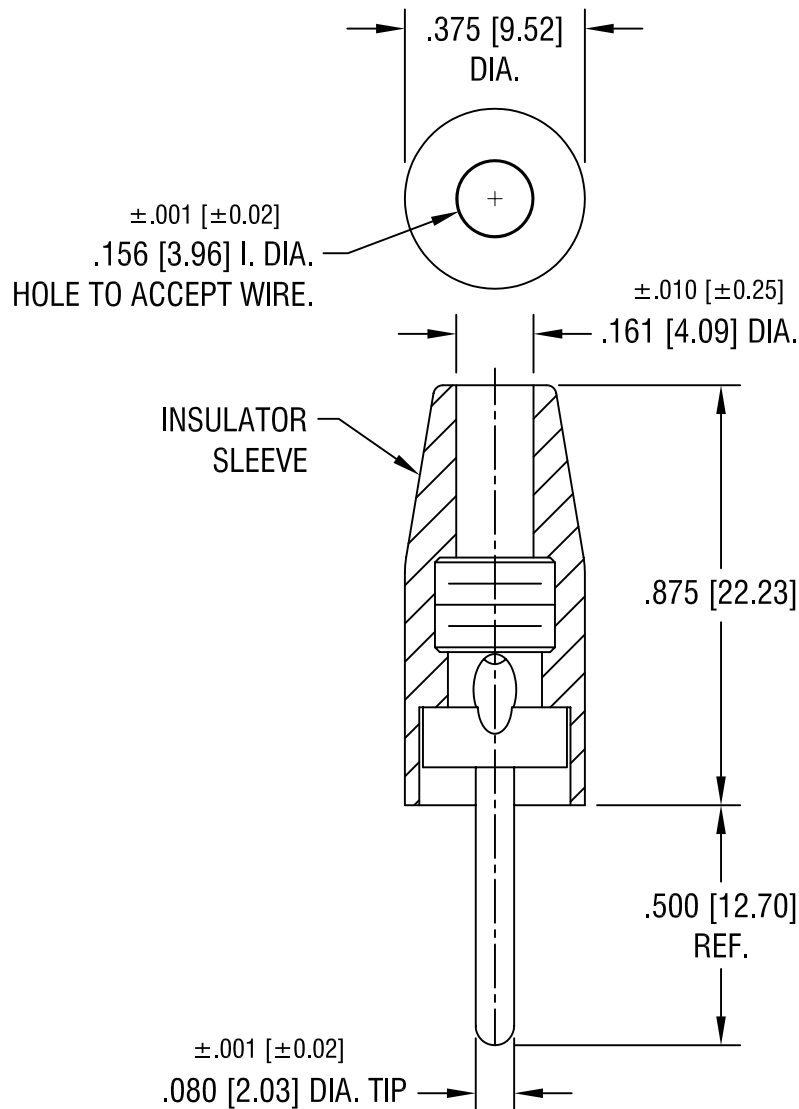


THIS DOCUMENT IS THE PROPERTY OF
KEYSTONE ELECTRONICS CORP. AND
SHALL NOT BE REPRODUCED, DISTRIBUTED
OR USED AS A BASIS FOR MANUFACTURE
WITHOUT PRIOR WRITTEN PERMISSION
FROM KEYSTONE ELECTRONICS CORP.



PART NO.	SLEEVE COLOR
6000	WHITE
6001	RED
6002	BLACK
6003	GREEN
6004	YELLOW
6005	BLUE

NOTES:

- TIP: MAT'L - BRASS, NICKEL PLATE
BODY: MAT'L - NYLON 6/6 PER ASTM D4066

KEYSTONE ELECTRONICS CORP.

ASTORIA, N.Y. 11105-2017

PART NAME		SOLDERLESS TEST TIP PLUG	
MATERIAL		AS NOTED	
FINISH	AS NOTED	DRN BY	BOONE
		DATE	6.8.06
		APP'D	SCALE
			2.5X
TOLERANCES	INCH [MM]	CODE	DWG NO.
DECIMAL	± .005 [± 0.15]	C/M	6000-6005
ANGULAR	± 1°		
UNLESS OTHERWISE SPECIFIED			

DATE	DESCRIPTION	REV.