


**C-RCI 1,5/M5**

Order No.: 3240019

<http://eshop.phoenixcontact.de/phoenix/treeViewClick.do?UID=3240019>Ring cable lug, red, 0.5-1.5 mm<sup>2</sup>, M5**Commercial data**

|                          |  |
|--------------------------|--|
| GTIN (EAN)               | <br>4 046356 451666 |
| sales group              | B281   |
| Pack                     | 100 pcs.   |
| Customs tariff           | 85369010   |
| Catalog page information | Page 316 (CL2-2011)  |

**Product notes**WEEE/RoHS-compliant since:  
09/22/2008

<http://www.download.phoenixcontact.com>  
Please note that the data given here has been taken from the online catalog. For comprehensive information and data, please refer to the user documentation. The General Terms and Conditions of Use apply to Internet downloads.

**Technical data****General**

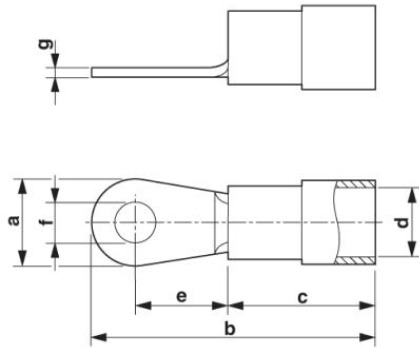
|                                 |                   |
|---------------------------------|-------------------|
| Length (b)                      | 21.7 mm           |
| Width (a)                       | 8 mm              |
| Color                           | red               |
| Ambient temperature (operation) | -20 °C ... 105 °C |
| Components                      | Halogen-free      |

---

|   |         |
|---|---------|
| Material  | Copper  |
| Length of insulation sleeve (c)                           | 10.5 mm |
| Inner dimension of the insulating collar (d)              | 4.1 mm  |
| Distance between the center and the insulation sleeve (e) | 7.3 mm  |
| Inner diameter (f)  | 5.3 mm  |
| Material thickness (g)                                    | 0.75 mm |

### Diagrams/Drawings

Dimensioned drawing



**Address**

PHOENIX CONTACT Inc., USA  
586 Fulling Mill Road  
Middletown, PA 17057, USA  
Phone (800) 888-7388  
Fax (717) 944-1625  
<http://www.phoenixcon.com>



© 2011 Phoenix Contact  
Technical modifications reserved;