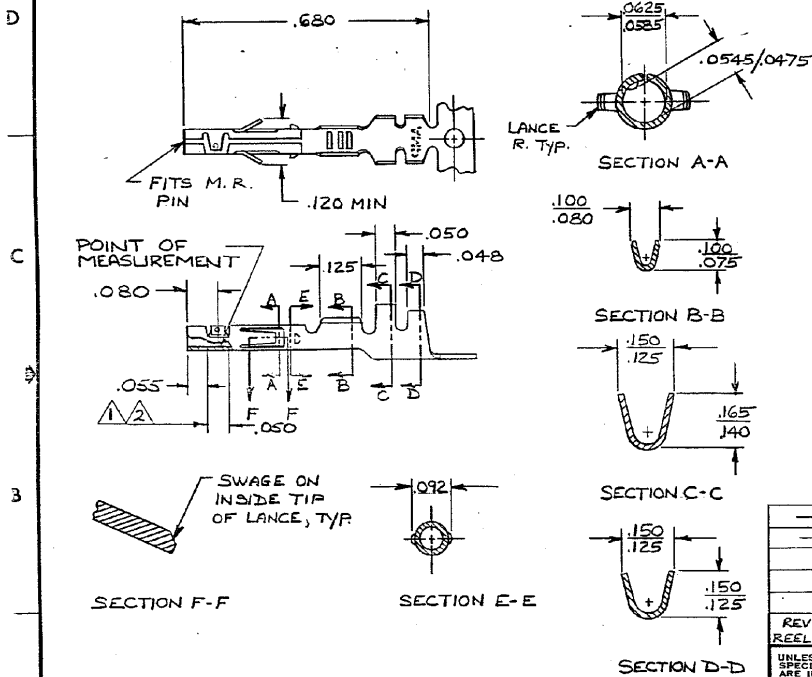


THIS DRAWING IS UNPUBLISHED. RELEASED FOR PUBLICATION  
 © COPYRIGHT 19 BY AMP INCORPORATED, HARRISBURG, PA. ALL INTERNATIONAL RIGHTS RESERVED. AMP PRODUCTS MAY BE COVERED BY U.S. AND FOREIGN PATENTS AND/OR PATENTS PENDING.

REVISIONS						
P	F	ZONE	LTR	DESCRIPTION	DATE	APPROVED
			U	ADDED - 2 PER TTI-83-69	7-28-82	KW/RS
			V	RESTORED	3-7-82	KW/RS
			V	OBsolete - 4 & 6 CM-473	3-7-82	KW/RS
			W	OBsolete - 5 PER CM-858	7-13-88	PR
			W	OBsolete - 7 PER CM-911		RS



△ PLATED INSIDE WITH .000030 GOLD, OVER .000050 NICKEL.

△ REELED FOR MINI-APPLICATOR.  
 △ REELED FOR STANDARD APPLICATOR.

UNPLATED	.008 PH. BRZ.				350019-2
PRE-TIN	.008 PH. BRZ.	.050:115	# 26-18 A.W.G.		350019-2 350019-1
REVERSE REEL PART NO.	FINISH	MATERIAL	INSULATION DIA	WIRE RANGE	PART NO
UNLESS OTHERWISE SPECIFIED DIMENSIONS ARE IN INCHES. TOLERANCES ON: DECIMALS ±.015 ANGLES ±.015	CONTRACT NO	AMP INCORPORATED Harrisburg, Pa.			
SEE TABLE	DR. J. A. SALTER 7-13-82 CHK. J. S. Hilde 12/1/82	NAME RECEPACLE, M.R., .058 DIA.			
SEE TABLE	DSGN APPD	SIZE B	FSCM NO 00779	DRAWING NO 350019	
SEE TABLE	OTHER APPD	SCALE	SHEET		