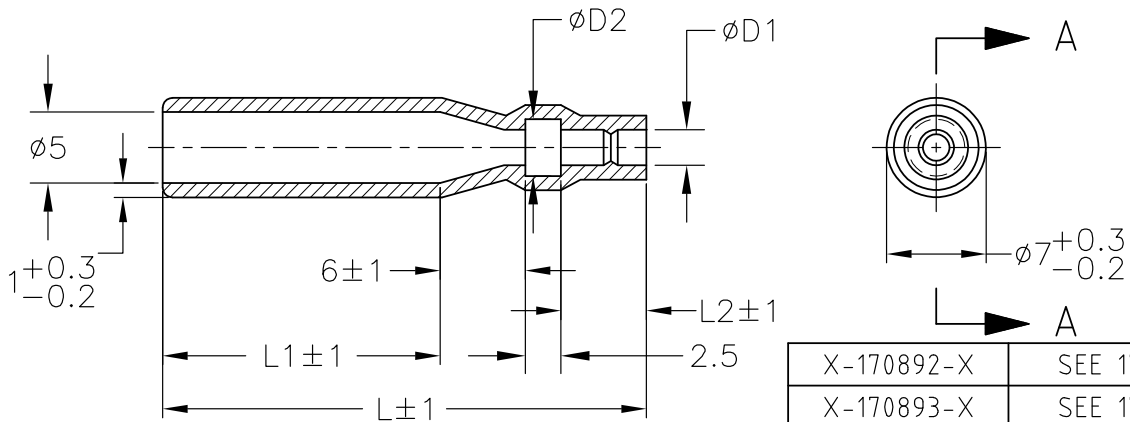


LOC	DIST	REVISIONS 変更					
—	—	P	LTR	DESCRIPTION	DATE	DWN	APVD
			B2	REVISED PER ECO-11-005140	07APR11	RK	HMR



A - A

X-170892-X	SEE 170892
X-170893-X	SEE 170893
X-170887-X	SEE 170887
X-170888-X	SEE 170888
X-170890-X	SEE 170890
X-170891-X	SEE 170891
X-170823-X	SEE 170823
PART NO	REMARK

1. 材質：SS-108（一般）
2. 一般公差：±0.5
3. 適用製品規格は無し

△ 品川商工発行のカタログと本図で寸法が異なる場合は本図を優先する。

1. MATERIAL:SS-108(GENERAL)
2. GENERAL TOLERANCE: ±0.5
3. APPLICABLE PRODUCT SPEC NOT AVAILABLE

△ IN THE EVENT OF CONFLICT BETWEEN THE REQUIREMENTS OF THIS CUSTOMER DRAWING AND THE SHINAGAWA SHOKO CO LTD CATALOG THIS CUSTOMER DRAWING SHALL TAKE PRECEDENCE

CLEAR	26	2	15.5	4	2	215020	170889-4
					3.5	215035	170889-3
	34	6	19.5	4.5	3.2	215032	170889-2
				4	2.5	215025	170889-1
COLOR	L	L2	L1	φ d2	φ d1	△ SHINAGAWA SHOKO PN	PART NO

THIS DRAWING IS UNPUBLISHED. ALL RIGHTS RESERVED. © COPYRIGHT - By -

DIMENSIONS: 単位： 耗 mm		DWN A.YAMAGUCHI 31 AUG 00	WIRE RANGE 抱合電線断面積		INSULATION DIA 被覆外径	
TOLERANCES UNLESS OTHERWISE SPECIFIED: 一般公差		CHK D.MATSUURA 31 AUG 00	MATERIAL 材料		FINISH 仕上	
0 PLC ± -		APVD K.BETSUI 31 AUG 00	TE TE Connectivity			
1 PLC ± -		PRODUCT SPEC 製品規格				
2 PLC ± -		APPLICATION SPEC 取付適用規格	NAME 名称 CONNECT SLEEVE FOR 5DIA SERIES SHUR PLUG RECEPTACLE			
3 PLC ± -		WEIGHT	SIZE A4	CAGE CODE 00779	DRAWING NO 番号 C-170889	RESTRICTED TO -
4 PLC ± -		CUSTOMER DRAWING		SCALE 尺度 2:1	SHEET 1 OF 1	REV B2
ANGLES ± -						