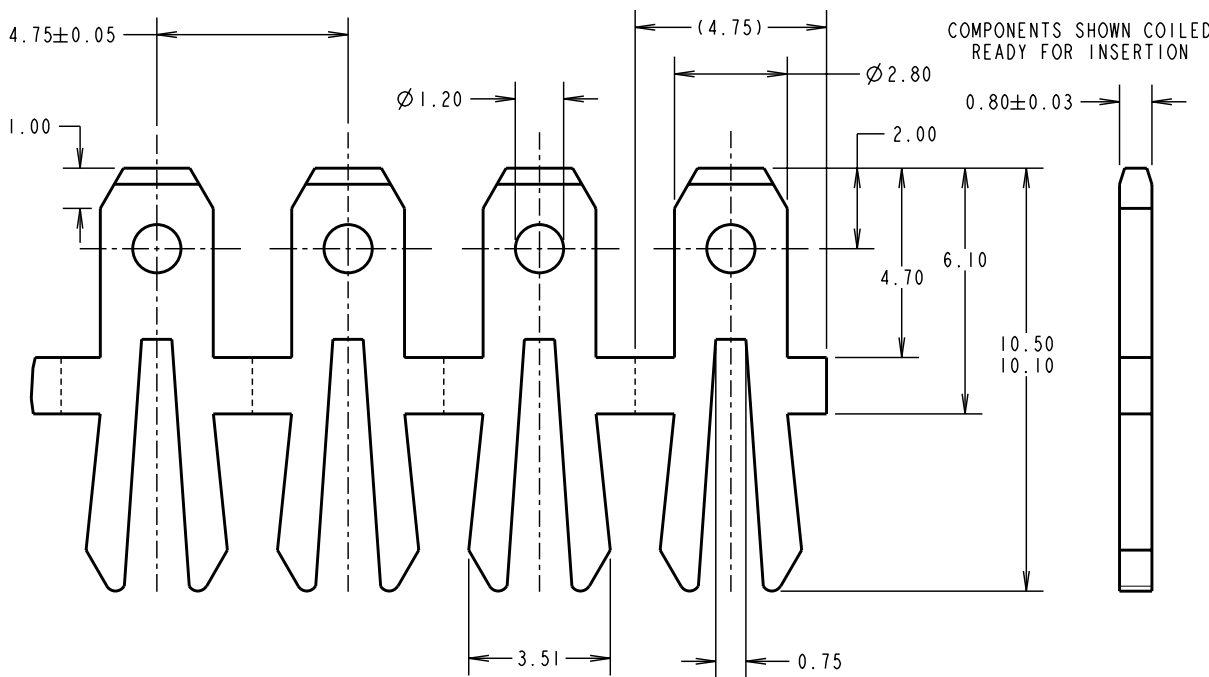
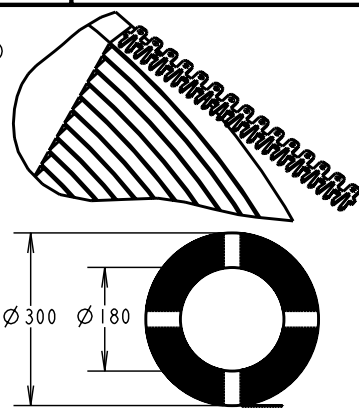


Customer Information Sheet

DRAWING No.: S417-XX SHEET 3 OF 4 IF IN DOUBT - ASK © NOT TO SCALE THIRD ANGLE PROJECTION ALL DIMENSIONS IN mm



COMPONENTS SHOWN COILED
READY FOR INSERTION



COIL DIMENSIONS

- NOTES:
 1. QUANTITY PER TABS PER COIL = 12K.
 TOTAL WEIGHT PER COIL = 2.1kg.
 2. RECOMMENDED MOUNTING HOLE SIZE = 2.80 x 1.00.

ORDER CODE:
S417-XX
 FINISH: _____
 06 = 4µ 90/10 TIN/LEAD
 46 = 4µ 100% TIN

CP	14	28.01.10	8128
NAME	ISS.	DATE	C/NOTE
APPROVED: C. PENROSE			
CHECKED: R. ADDE			
DRAWN: P. D. COLLINS			
CUSTOMER REF.:			
ASSEMBLY DRG:			

			THIS DRAWING AND ANY INFORMATION OR DESCRIPTIVE MATTER SET OUT HEREON ARE CONFIDENTIAL AND COPYRIGHT PROPERTY OF THE HARWIN GROUP AND MUST NOT BE DISCLOSED, LOANED, COPIED OR USED FOR MANUFACTURING, TENDERING OR FOR ANY OTHER PURPOSE WITHOUT THEIR WRITTEN PERMISSION.	TOLERANCES X. = ±1mm X.X = ±0.25mm X.XX = ±0.10mm X.XXX = ±0.01mm ANGLES = ±5° UNLESS STATED	MATERIAL: BRASS CW508L H150 TO BS EN 1652 (CuZn37 HARD)	TITLE: 2.8mm VERTICAL FISH-TAIL COILED TAB TERMINAL
HARWIN USA TEL: 603 893 5376 FAX: 603 893 5396 mis@harwin.com	HARWIN Europe (UK) TEL: 023 9231 4545 FAX: 023 9231 4590 mis@harwin.co.uk	HARWIN Asia TEL: +65 6 779 4909 FAX: +65 6 779 3868 mis@harwin.com.sg		FINISH: SEE ORDER CODE	S/AREA: mm ²	DRAWING NUMBER: S417-XX

Customer Information Sheet

DRAWING No.: S417-XX

SHEET 4 OF 4

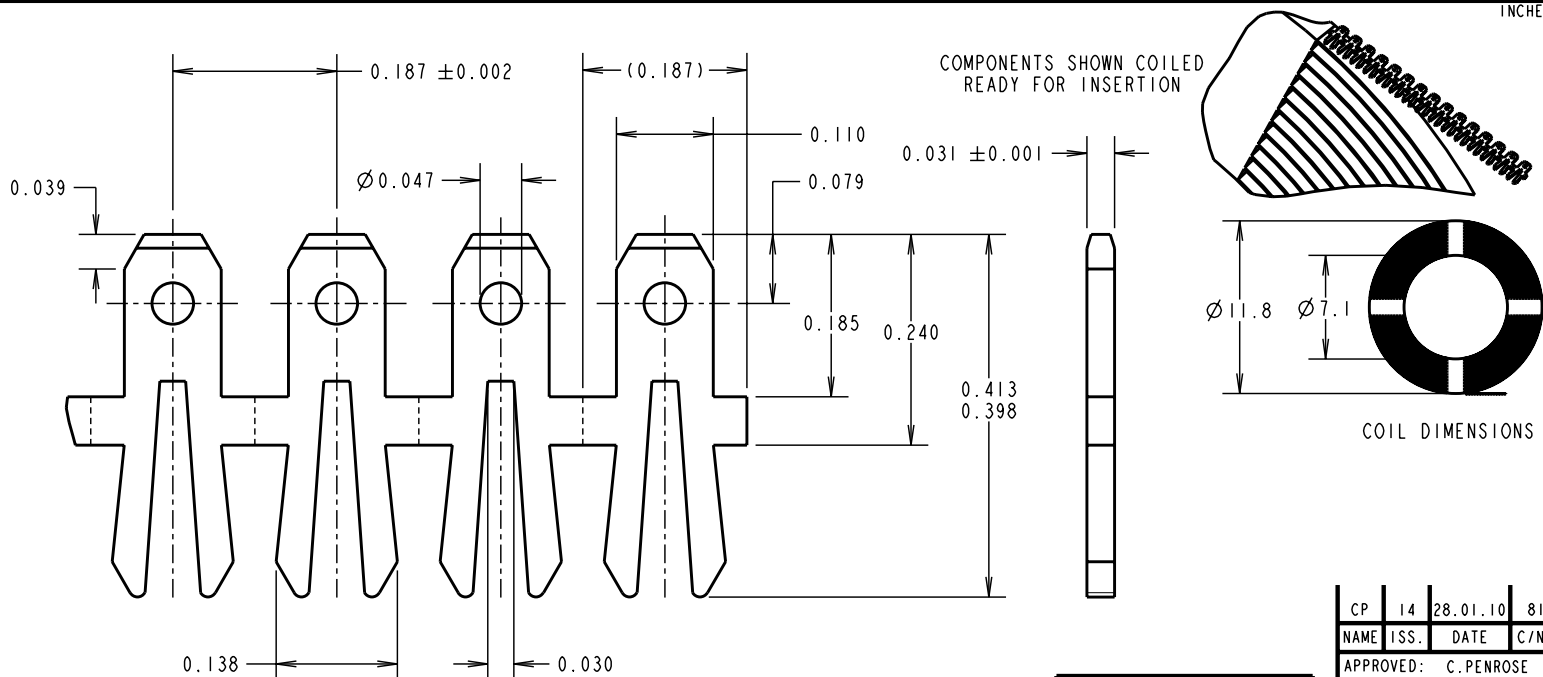
IF IN DOUBT - ASK

©

NOT TO SCALE

THIRD ANGLE PROJECTION

ALL DIMENSIONS IN ~~mm~~ INCHES



- NOTES:
1. QUANTITY PER TABS PER COIL = 12K.
TOTAL WEIGHT PER COIL = 2.1kg.
 2. RECOMMENDED MOUNTING HOLE SIZE = 0.110" x 0.039".
 3. ALL TOLERANCES ARE ±0.004" UNLESS OTHERWISE STATED.

ORDER CODE:
S417-XX
FINISH:
06 = 90/10 TIN/LEAD
46 = 100% TIN

CP	14	28.01.10	8128
NAME	ISS.	DATE	C/NOTE
APPROVED: C.PENROSE			
CHECKED: R.ADDE			
DRAWN: P. D. COLLINS			
CUSTOMER REF.:			
ASSEMBLY DRG:			

HARWIN

HARWIN USA TEL: 603 893 5376 FAX: 603 893 5396 mis@harwin.com	HARWIN Europe (UK) TEL: 023 9231 4545 FAX: 023 9231 4590 mis@harwin.co.uk	HARWIN Asia TEL: +65 6 779 4909 FAX: +65 6 779 3868 mis@harwin.com.sg
--	--	--

THIS DRAWING AND ANY INFORMATION OR DESCRIPTIVE MATTER SET OUT HEREON ARE CONFIDENTIAL AND COPYRIGHT PROPERTY OF THE HARWIN GROUP AND MUST NOT BE DISCLOSED, LOANED, COPIED OR USED FOR MANUFACTURING, TENDERING OR FOR ANY OTHER PURPOSE WITHOUT THEIR WRITTEN PERMISSION.

TOLERANCES
X = ±1mm
X.X = ±0.25mm
X.XX = ±0.10mm
X.XXX = ±0.01mm
ANGLES = ±5°
UNLESS STATED

MATERIAL:
BRASS CW508L H150
TO BS EN 1652
(CuZn37 HARD)
FINISH: SEE ORDER CODE
S/AREA: mm²

TITLE:
0.110" VERTICAL FISH-TAIL
COILED TAB TERMINAL
DRAWING NUMBER:
S417-XX

SHT
4
OF
4