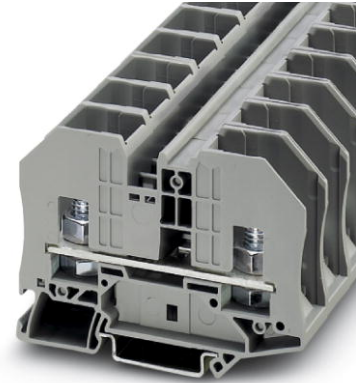


RTO 8


Order No.: 3049343



<http://eshop.phoenixcontact.de/phoenix/treeViewClick.do?UID=3049343>

Feed-through terminal block with bolt connection, cross section: 2.5 - 35 mm², AWG: 14 - 2, width 20.2 mm, color: Gray

Commercial data

| | |
|--------------------------|--|
| GTIN (EAN) |  4 046356 140058 |
| sales group | A800 |
| Pack | 25 pcs. |
| Customs tariff | 85369010 |
| Catalog page information | Page 375 (CL1-2011) |

Product notes

WEEE/RoHS-compliant since:
05/14/2007



<http://www.download.phoenixcontact.com>
Please note that the data given here has been taken from the online catalog. For comprehensive information and data, please refer to the user documentation. The General Terms and Conditions of Use apply to Internet downloads.

Product description

Bolt connection terminal

Technical data

General

| | |
|-----------------------|---|
| Number of levels | 1 |
| Number of connections | 2 |

| | |
|------------------------------------|------|
| Color | gray |
| Insulating material | PA |
| Inflammability class acc. to UL 94 | V0 |

Dimensions

| | |
|------------------|---------|
| Width | 20.2 mm |
| Length | 84 mm |
| Height NS 35/7.5 | 62.2 mm |
| Height NS 35/15 | 69.7 mm |

Technical data

| | |
|----------------------------------|---|
| Maximum load current | 125 A (with 35 mm ² conductor cross section) |
| Rated surge voltage | 8 kV |
| Pollution degree | 3 |
| Surge voltage category | III |
| Insulating material group | I |
| Connection in acc. with standard | IEC 60947-7-1 |
| Nominal current I _N | 125 A |
| Nominal voltage U _N | 1000 V |
| Open side panel | ja |
| Number of positions | 1 |

Connection data

| | |
|--|---------------------|
| Conductor cross section solid min. | 2.5 mm ² |
| Conductor cross section solid max. | 35 mm ² |
| Conductor cross section stranded min. | 2.5 mm ² |
| Conductor cross section stranded max. | 35 mm ² |
| Conductor cross section AWG/kcmil min. | 14 |
| Conductor cross section AWG/kcmil max | 2 |
| Connection method | Bolt connection |
| Screw thread | M8 |
| Tightening torque, min | 4.5 Nm |
| Tightening torque max | 5 Nm |

Certificates / Approvals

Certification

ABS, CUL, UL, VDE-PZI

Accessories

| Item | Designation | Description |
|-----------------|-----------------------------|--|
| Assembly | | |
| 3022218 | CLIPFIX 35 | Snap-on end bracket, for 35 mm NS 35/7.5 or NS 35/15 DIN rail, can be fitted with Zack strip ZB 8 and ZB 8/27, terminal strip marker KLM 2 and KLM, width: 9.5 mm, color: gray |
| 3049194 | D-RT 8 | Cover, width: 2.2 mm, color: gray |
| 1201442 | E/UK | End clamp, for assembly on NS 32 or NS 35/7.5 DIN rail |
| 0801762 | NS 35/ 7,5 CU UNPERF 2000MM | DIN rail, material: Copper, unperforated, height 7.5 mm, width 35 mm, length: 2 m |
| 0801733 | NS 35/ 7,5 PERF 2000MM | DIN rail, material: Steel, galvanized and passivated with a thick layer, perforated, height 7.5 mm, width 35 mm, length: 2 m |
| 0801681 | NS 35/ 7,5 UNPERF 2000MM | DIN rail, material: Steel, unperforated, height 7.5 mm, width 35 mm, length: 2 m |
| 1201756 | NS 35/15 AL UNPERF 2000MM | DIN rail, deep-drawn, high profile, unperforated, 1.5 mm thick, material: Aluminum, height 15 mm, width 35 mm, length 2 m |
| 1201895 | NS 35/15 CU UNPERF 2000MM | DIN rail, material: Copper, unperforated, 1.5 mm thick, height 15 mm, width 35 mm, length: 2 m |
| 1201730 | NS 35/15 PERF 2000MM | DIN rail, material: Steel, perforated, height 15 mm, width 35 mm, length: 2 m |
| 1201714 | NS 35/15 UNPERF 2000MM | DIN rail, material: Steel, unperforated, height 15 mm, width 35 mm, length: 2 m |
| 1201798 | NS 35/15-2,3 UNPERF 2000MM | DIN rail, material: Steel, unperforated, 2.3 mm thick, height 15 mm, width 35 mm, length: 2 m |
| 3003062 | TPN-UK | Separating plate, Length: 110 mm, Width: 2 mm, Height: 69 mm, Color: gray |
| Bridges | | |
| 3005947 | FBS 2-10 | Plug-in bridge, Number of positions: 2, Color: red |
| General | | |
| 0820222 | ZB 16,3:UNPRINTED | Terminal marking |

| | | |
|---------|-------------------|------------------|
| 0820248 | ZB 20,3:UNPRINTED | Terminal marking |
|---------|-------------------|------------------|

Tools

| | | |
|---------|-----------------|--|
| 1205066 | SZS 1,0X4,0 VDE | Screwdriver, bladed, VDE insulated, size: 1.0 x 4.0 x 100 mm, 2-component grip, with non-slip grip |
|---------|-----------------|--|

Diagrams/Drawings

Circuit diagram



Address

PHOENIX CONTACT Inc., USA
586 Fulling Mill Road
Middletown, PA 17057, USA
Phone (800) 888-7388
Fax (717) 944-1625
<http://www.phoenixcon.com>



© 2011 Phoenix Contact
Technical modifications reserved;