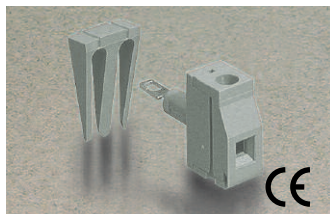


# 7.50 and 10.00mm Pin Spacing – Panel Mount

Pin Spacing: 7.50mm  
 Orientation: Panel Mount  
 Clamp Type: Screw Cage  
 Design: Modular



**MPT-275/GY**  
**CMR-75/GY**

**ELECTRICAL**

|  | Current          | Voltage | Wire Range  |
|--|------------------|---------|---|
|  | 15A <sup>①</sup> | 300V    | 30-14AWG  |
|  | 24A              | 450V    | 2.5mm <sup>2</sup> Stranded<br>4.0mm <sup>2</sup> Solid |

**INSTALLATION DATA**

|                   |                        |                        |        |
|-------------------|------------------------|------------------------|--------|
| <b>Screw Size</b> | M3                     | <b>Panel Hole Size</b> | 5.2mm  |
| <b>Torque</b>     | 0.5Nm<br>(4.5 lbf-in.) | <b>Stripping Lgth.</b> | 10.1mm |

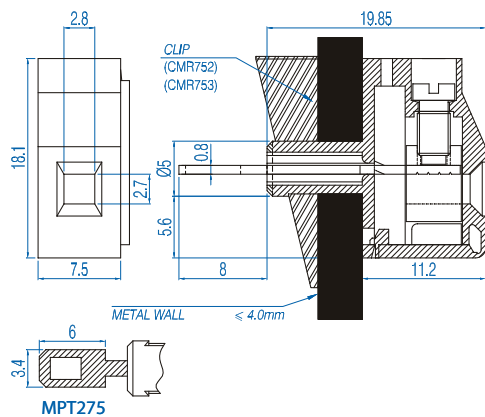
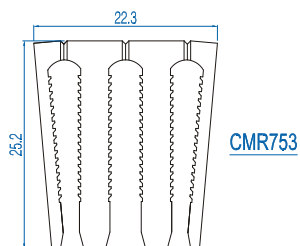
**MATERIAL**

|                           |           |                 |                  |
|---------------------------|-----------|-----------------|------------------|
| <b>Body</b>               | Polyamide | <b>Screw</b>    | Galvanized Steel |
| <b>Flammability Class</b> | UL94V-0   | <b>Terminal</b> | Tin-Plated Brass |
| <b>Temperature Limit</b>  | 125°C IEC | <b>Clamp</b>    | Nickel Brass     |
| <b>Color</b>              | Gray      |                 |                  |

| No. Poles | Cat. #     | Length (mm) | Std. Pk. |
|-----------|------------|-------------|----------|
| 1         | MPT-275/GY | 7.5         | 100      |

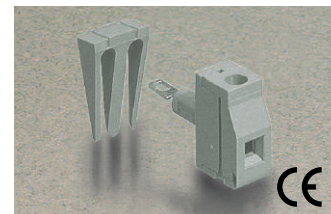
*Retaining Key*

|   |            |      |    |
|---|------------|------|----|
| 2 | CMR-752/GY | 14.8 | 50 |
| 3 | CMR-753/GY | 22.3 | 50 |



<sup>①</sup> 24A Factory Wiring - UL

Pin Spacing: 10.00mm  
 Orientation: Panel Mount  
 Clamp Type: Screw Cage  
 Design: Modular



**MPT-410/GY**  
**CMR-10/GY**

**ELECTRICAL**

|  | Current          | Voltage | Wire Range  |
|--|------------------|---------|---|
|  | 20A <sup>②</sup> | 600V    | 30-12AWG  |
|  | 32A              | 450V    | 4.0mm <sup>2</sup> Stranded<br>6.0mm <sup>2</sup> Solid |

**INSTALLATION DATA**

|                   |                        |                        |        |
|-------------------|------------------------|------------------------|--------|
| <b>Screw Size</b> | M3                     | <b>Panel Hole Size</b> | 8.2mm  |
| <b>Torque</b>     | 0.5Nm<br>(4.5 lbf-in.) | <b>Stripping Lgth.</b> | 10.1mm |

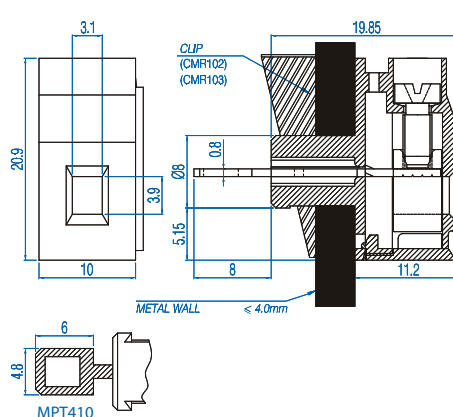
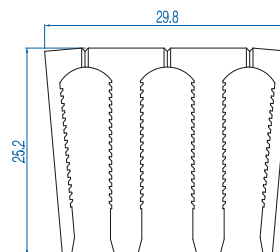
**MATERIAL**

|                           |           |                 |                  |
|---------------------------|-----------|-----------------|------------------|
| <b>Body</b>               | Polyamide | <b>Screw</b>    | Galvanized Steel |
| <b>Flammability Class</b> | UL94V-0   | <b>Terminal</b> | Tin-Plated Brass |
| <b>Temperature Limit</b>  | 125°C IEC | <b>Clamp</b>    | Nickel Brass     |
| <b>Color</b>              | Gray      |                 |                  |

| No. Poles | Cat. #     | Length (mm) | Std. Pk. |
|-----------|------------|-------------|----------|
| 1         | MPT-410/GY | 10.0        | 100      |

*Retaining Key*

|   |            |      |    |
|---|------------|------|----|
| 2 | CMR-102/GY | 19.8 | 50 |
| 3 | CMR-103/GY | 29.3 | 50 |



<sup>②</sup> 32A Factory Wiring - UL