

PSM-EG-RS232/RS422-P/4K

Order No.: 2761266




<http://eshop.phoenixcontact.de/phoenix/treeViewClick.do?UID=2761266>

Interface converter, for converting RS-232 (V.24) to RS-422 (V.11), with electrical isolation, 4 channels, rail-mountable



Commercial data

GTIN (EAN)	 4 017918 064631
sales group	H610
Pack	1 pcs.
Customs tariff	85176200
Catalog page information	Page 489 (IF-2011)

<http://www.download.phoenixcontact.com>
Please note that the data given here has been taken from the online catalog. For comprehensive information and data, please refer to the user documentation. The General Terms and Conditions of Use apply to Internet downloads.

Technical data

Serial interface

Interface 1	V.24 (RS-232) interface in acc. with ITU-T V.28, EIA/TIA-232, DIN 66259-1
Connection method	D-SUB-9 male connector Pluggable screw connection
Conductor cross section stranded min.	0.2 mm ²
Conductor cross section stranded max.	2.5 mm ²
Conductor cross section AWG/kcmil min.	24
Conductor cross section AWG/kcmil max.	14

Serial transmission speed	64 kbps
Interface 2	RS-422 interface in acc. with ITU-T V.11, EIA/TIA-422, DIN 66348-1
Termination resistor	150 Ω receiver; pull up/down 510 Ω
Transmission length	1200 m (twisted pair)
Connection method	D-SUB-15 male connector
	Pluggable screw connection
Conductor cross section stranded min.	0.2 mm ²
Conductor cross section stranded max.	2.5 mm ²
Conductor cross section AWG/kcmil min.	24
Conductor cross section AWG/kcmil max	14
Serial transmission speed	64 kbps

Power supply

Nominal supply voltage	24 V DC \pm 20 %
Typical current consumption	130 mA (24 V DC)

General data

Transmission channels	4 (2/2), RxD, TxD, RTS, CTS; full duplex
Bit delay	\leq 3 μ s
Bit distortion	\leq 5 %
Width	45 mm
Height	75 mm
Depth	110 mm
Ambient temperature (operation)	0 $^{\circ}$ C ... 50 $^{\circ}$ C
Electrical isolation	(VCC // V.24 (RS-232) // RS-422)
Test voltage data interfaces	2.5 kV AC
Test voltage data interface/power supply	2.5 kV AC
	2.5 kV
Electromagnetic compatibility	Conformance with EMC Directive 2004/108/EC
Noise emission	EN 50 081-1
Noise immunity	EN 50 082-2
Housing material	ABS
Color	green
MTBF	1045 Years (Telcordia standard, 25 $^{\circ}$ C temperature, 21% operating cycle (5 days a week, 8 hours a day))
	223 Years (Telcordia standard, 40 $^{\circ}$ C temperature, 34.25% operating cycle (5 days a week, 12 hours a day))

UL, USA / Canada

cUL 508 Recognized

Certificates / Approvals



Certification

CUL, GOST, UL

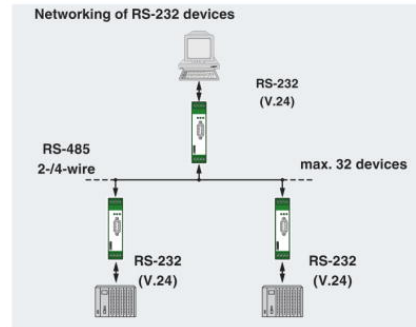
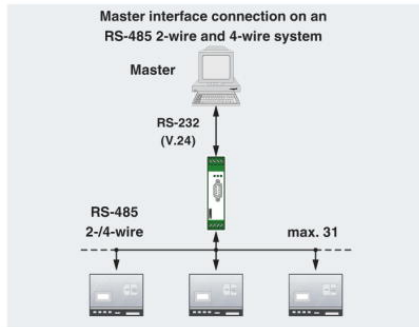
Accessories

Item	Designation	Description
Cable/conductor		
2761059	PSM-KA 9 SUB 25/BB/2METER	RS-232 cable, 9-pos. D-SUB female connector 25-pos on D-SUB female connector
2799474	PSM-KA9SUB9/BB/2METER	RS-232 cable, 9-pos. D-SUB female connector on 9-pos. D-SUB female connector, 9-wire, 1:1

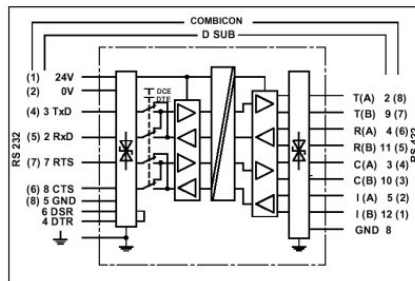
Diagrams/Drawings

Application drawing





Circuit diagram



Address

PHOENIX CONTACT Inc., USA
586 Fulling Mill Road
Middletown, PA 17057, USA
Phone (800) 888-7388
Fax (717) 944-1625
<http://www.phoenixcon.com>



© 2011 Phoenix Contact
Technical modifications reserved;