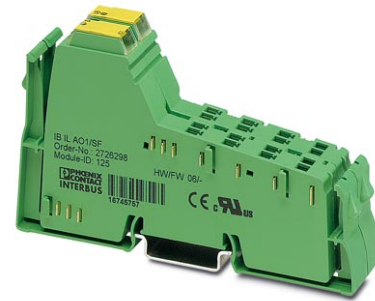


IB IL AO 1/SF


Order No.: 2726298



<http://eshop.phoenixcontact.de/phoenix/treeViewClick.do?UID=2726298>


Inline analog output terminal, without accessories, 1 output, 0-20 mA, 4-20 mA, 0-10 V, 2-wire connection method



Commercial data	
GTIN (EAN)	
sales group	K412
Pack	1 pcs.
Customs tariff	85389091
Catalog page information	Page 80 (AX-2007)

Product notes

WEEE/RoHS-compliant since: 03/27/2007



<http://www.download.phoenixcontact.com>
 Please note that the data given here has been taken from the online catalog. For comprehensive information and data, please refer to the user documentation. The General Terms and Conditions of Use apply to Internet downloads.

Product description

The analog Inline output terminals are used in applications in which analog actuators are to be addressed.

With these terminals, common current and voltage output ranges can be configured individually. The analog signals are made available with a resolution of 16 bits.

It goes without saying that you also have advantages in handling with the analog Inline output terminals, such as multi-wire connection or the automatic contact with the grounding conductor when the terminal is snapped onto the DIN rail.

The Inline terminals can be labeled using hinged labeling fields. The fields have insert cards that can be labeled individually to suit the application. Additionally, there is the proven ZBFM-6... Zack strip for labeling the terminal points.

Technical data**General data**

Width	24.4 mm
Height	119.8 mm
Depth	71.5 mm
Weight	46 g
Mounting type	DIN rail
Ambient temperature (operation)	-25 °C ... 55 °C
Ambient temperature (storage/transport)	-25 °C ... 85 °C
Permissible humidity (operation)	10 % ... 95 % (according to DIN EN 61131-2)
Permissible humidity (storage/transport)	10 % ... 95 % (according to DIN EN 61131-2)
Air pressure (operation)	70 kPa ... 106 kPa (up to 3000 m above sea level)
Air pressure (storage/transport)	70 kPa ... 106 kPa (up to 3000 m above sea level)
Degree of protection	IP20
Protection class	III, IEC 61140, EN 61140, VDE 0140-1
Test section	7.5 V supply (bus logic), 24 V supply U_{ANA} / I/O 500 V AC 50 Hz 1 min
	7.5 V supply (bus logic), 24 V supply U_{ANA} /functional earth ground 500 V AC 50 Hz 1 min
	24 V supply (I/O) / functional earth ground 500 V AC 50 Hz 1 min

Interface

Name	Inline local bus
Connection method	Inline data jumper
Transmission speed	500 kbps
	500 kBit/s
Transmission physics	Copper

Inline potential routing

Communications power U_L	7.5 V DC (via voltage jumper)
Current consumption from U_L	max. 40 mA
	Typ. 30 mA
I/O supply voltage U_{ANA}	24 V DC
Current consumption from U_{ANA}	max. 65 mA
	Typ. 50 mA

Analog outputs

Number of outputs	1
Connection method	2-wire (shielded)
Output name	Analog outputs
D/A conversion time	< 100 µs
D/A resolution	16 Bit
Type of protection	Transient protection of outputs
Measured value representation	16 bits (15 bits + sign bit)
DAC resolution	16 Bit
Process data update	< 1 ms
Current output signal	0 mA ... 20 mA 4 mA ... 20 mA
Load/output load current output	> 500 Ω
Voltage output signal	0 V ... 10 V
Load/output load voltage output	> 2 kΩ 0.05 %
Precision	Typ. 0.8 % (of output range final value) Typ. 0.5 % (of output range final value)

Certificates / Approvals



Certification	CUL, GOST, UL
Certification Ex:	CUL-EX, PxC-EX, UL-EX LIS

Accessories

Item	Designation	Description
Marking		
1051993	B-STIFT	Marker pen, for manual labeling of unprinted Zack strips, smear-proof and waterproof, line thickness 0.5 mm
0809492	ESL 62X10	Insert strip for laser printer, lettering field: 62 x 10 mm
2727501	IB IL FIELD 2	Labeling field, width: 12.2 mm

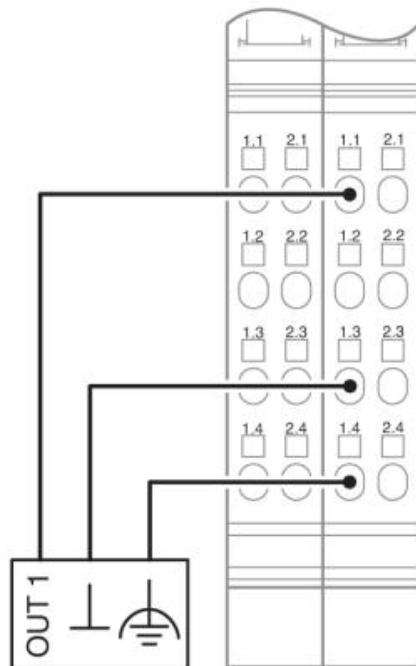
0811228	X-PEN 0,35	Marker pen without ink cartridge, for manual labeling of markers, labeling extremely wipe-proof, line thickness 0.35 mm
0808778	ZBF 6:SO/CMS	Zack strip, flat, 10-section, divisible, special printing, marking according to customer requirements
0808710	ZBF 6:UNBEDRUCKT	Zack strip, flat, unprinted: 10-section, for individual labeling with M-PEN or ZBF-T, sufficient for 100 terminal blocks, color: white
0803618	ZBFM 6/WH:UNBEDRUCKT	Zack marker sheet, flat, unprinted: 100-section, 10 strips à 10 markers, sufficient for 100 terminal blocks, for all terminal blocks, pitch 6.2 mm, labeling with M-PEN or CMS system, color: white
0803650	ZBFM 6:SO/CMS	Special printing, Zack marker sheet, flat, 100-section, divisible, marking according to customer requirements

Plug/Adapter

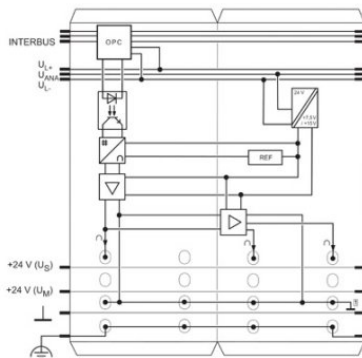
2732664	IB IL AO/CNT-PLSET	Connector set
2726353	IB IL SCN-6 SHIELD	Inline shield connector
2726337	IB IL SCN-8	Connector, for digital 1, 2 or 8-channel Inline terminals
2727608	IB IL SCN-8-CP	Inline connector, colored

Diagrams/Drawings

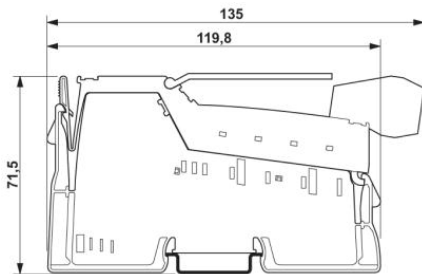
Connection diagram



Block diagram



Dimensioned drawing



FAQs

- **How many and which I/O connectors have to be used to connect the analog conductor for the Inline terminal IB IL AO 1/SF?**

Two connectors must be used, since this terminal is a double terminal (24.4 mm wide). The available channel can be used as either voltage or current output. In order to connect an analog conductor, an Inline shield connector (IB IL SCN-6-SHIELD, Order no. 2726353) must be used and snapped into the left (voltage output) or right slot (current output) to suit the application. One free slot is always left over and this must be occupied by another connector. We recommend using a standard Inline connector without shield (IB IL SCN-8, Order no. 2726337). The connector versions necessary are in the connector set IB IL AO/CNT-PLSET (Order no. 2732664).

- **Output behavior of the analog output terminals after a bus error**

The output behavior of the Inline analog terminals after a bus error is different from the standard behavior of familiar INTERBUS analog modules. An interruption in the bus within a particular time window can lead to an undefined output behavior. In this case, it is not possible to clearly determine whether the outputs return to zero, or whether the old value is retained.

Address

PHOENIX CONTACT Inc., USA
586 Fulling Mill Road
Middletown, PA 17057, USA
Phone (800) 888-7388
Fax (717) 944-1625
<http://www.phoenixcon.com>



© 2011 Phoenix Contact
Technical modifications reserved;