

Please note that the data given here has been taken from the online catalog. For comprehensive information and data, please refer to the user documentation at <http://www.download.phoenixcontact.com>. The General Terms and Conditions of Use apply to Internet downloads.

► Extract from the online catalog



MCR current measuring transducer, programmable and configurable, for measuring direct, alternating and distorted currents, input current 0...10 to 0...50 A, unconfigured

The illustration shows version MCR-S-10-50-UI-DCI

Order No.	2814728
Ord designation	MCR-S10-50-UI-DCI-NC
EAN	4017918169305
Pack	1 Pcs.
Customs tariff	85389091
Catalog page information	Page 288 (IF-2005)

► Technical data

Input data

Input	Current measuring input
Configurable/programmable	Yes, unconfigured
Input current range	0 A ... 55 A (AC/DC)
Setting range for min. input current	0 A ... 9.5 A
Setting range for max. input current	0 A ... 55 A
Impulse form	AC, DC or distorted currents
Overload capacity	Depending on through connected conductor
Surge strength	Depending on through connected conductor
Frequency measuring range	15 Hz ... 400 Hz
Type of connection	Through connection, diameter 10.5 mm

Output data

Output name	Voltage output / current output
Configurable/programmable	Yes, unconfigured
Voltage output signal	0 V ... 10 V
Voltage output signal	5 V ... 1 V
Voltage output signal	5 V ... -5 V
Voltage output signal	2 V ... 10 V
Voltage output signal	-10 V ... 10 V
Voltage output signal	0 V ... 5 V
Voltage output signal	1 V ... 5 V
Voltage output signal	-5 V ... 5 V
Voltage output signal	10 V ... 0 V
Voltage output signal	10 V ... 2 V
Voltage output signal	10 V ... -10 V
Voltage output signal	5 V ... 0 V
Current output signal	0 mA ... 20 mA
Current output signal	4 mA ... 20 mA
Current output signal	20 mA ... 0 mA
Current output signal	20 mA ... 4 mA
Load/output load voltage output	> 10 kOhm
Load/output load current output	< 500 Ohm

Power supply

Range of supply voltages	20 V DC ... 30 V DC
Typical current consumption	Approx. 40 mA (Without load)

Connection data

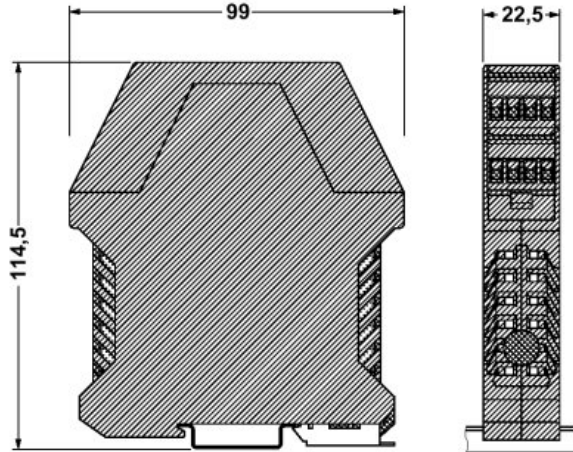
Type of connection	Pluggable screw connection
Conductor cross section, rigid min.	0.2 mm ²
Conductor cross section, rigid max.	2.5 mm ²
Conductor cross section flexible min.	0.2 mm ²
Conductor cross section, flexible max.	2.5 mm ²
Conductor cross section AWG/kcmil min.	24
Conductor cross section AWG/kcmil max	14
Stripping length	8 mm
Screw thread	M 3

General data

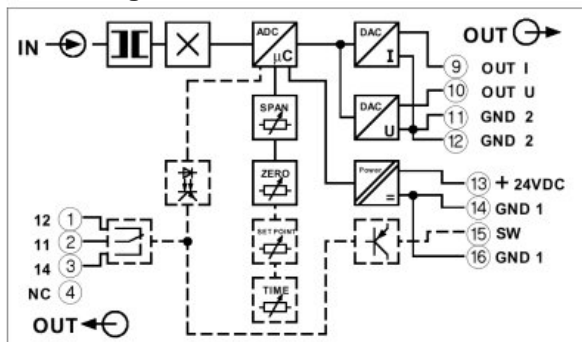
Length	99 mm
Width	22.5 mm
Height	114.5 mm
Transmission error, max.	< 0.5 % (Of range nominal value under nominal conditions)
Temperature coefficient, typical	< 0.025 %
Measuring rate	5 Hz
Step response (10-90%)	330 ms (With AC)
Step response (10-90%)	40 ms (With DC)
GRP test voltage	4 kV AC (50 Hz, 1 min)
Test voltage input/output	4 kV AC
Test voltage input/power supply	4 kV AC
Test voltage output/power supply	500 V AC
Status display	LED green
Ambient temperature (operation)	-20 ° C ... 60 ° C
Electromagnetic compatibility	CE in compliance
Color	green
Housing material	Polyamide PA non-reinforced
Installation position	Any

► Drawings

Dimensioned drawing



Circuit diagram



► Address

PHOENIX CONTACT GmbH & Co. KG
Flachsmarktstr. 8
32825 Blomberg
Germany
Phone +49 5235 3 00
Fax +49 5235 3 1200
<http://www.phoenixcontact.com>
Phoenix Contact
Technical modifications reserved;