

IB IL 24 PWR IN/F-D

Order No.: 2836667


The illustration shows version IB IL 24 PWR IN/F



<http://eshop.phoenixcontact.de/phoenix/treeViewClick.do?UID=2836667>


Inline power terminal block, without accessories, 24 V DC, with fuse (Main voltage) and diagnostics



Commercial data	
GTIN (EAN)	 4 017918 160388
sales group	K417
Pack	1 pcs.
Customs tariff	85389091

Product notes

WEEE/RoHS-compliant since: 06/28/2006



<http://www.download.phoenixcontact.com>
 Please note that the data given here has been taken from the online catalog. For comprehensive information and data, please refer to the user documentation. The General Terms and Conditions of Use apply to Internet downloads.

Product description

The power and segment terminals supply the Inline station with power.

The power terminal block supplies power to the I/O circuit. This supply input allows electrical isolation from the previous voltage group.

The segment terminal makes it possible to group any number of consecutive terminals into separate segments within an Inline station.

Power and segment terminals are available both with or without integrated fusing.

The Inline terminals can be labeled using hinged labeling fields. The fields have insert cards that can be labeled individually to suit the application. Additionally, there is the proven ZBFM-6... Zack strip for labeling the terminal points.

Technical data

Interfaces

Connection method	8-pos. Inline power connector
Interface	Supply voltage

Power supply

Typical current consumption	30 mA
Peripherals voltage range	19.2 V DC ... 30 V DC (including all tolerances, including ripple)
Max. current consumption	4 A
Fuse	SI 5 x 20 6, 300 AT (in scope of delivery)

General data

Type of protection	Polarity protection, surge protection
Weight	44 g
Number of connectors	1
Width	12.2 mm
Height	119.8 mm
Depth	71.5 mm

Certificates / Approvals



Certification	CUL, GOST, UL
Certification Ex:	CUL-EX LIS, UL-EX LIS

Accessories

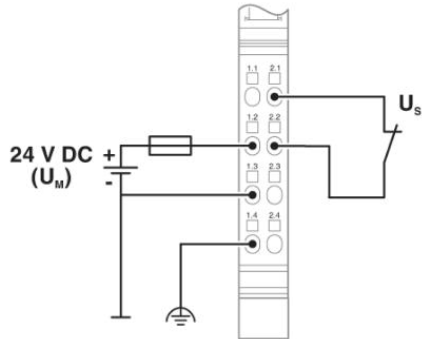
Item	Designation	Description
Marking		
0809492	ESL 62X10	Insert strip for laser printer, lettering field: 62 x 10 mm
2727501	IB IL FIELD 2	Labeling field, width: 12.2 mm

Plug/Adapter

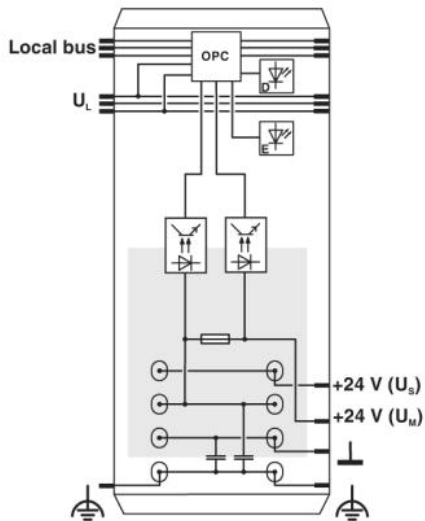
2727462	IB IL SCN-PWR IN	Connector, for Inline power and segment terminal blocks
2727637	IB IL SCN-PWR IN-CP	Connector, colored, for Inline power and segment terminal blocks

Diagrams/Drawings

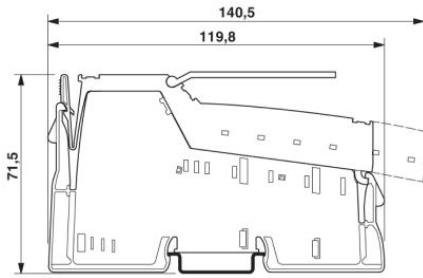
Connection diagram



Block diagram



Dimensioned drawing



Address

PHOENIX CONTACT Inc., USA
586 Fulling Mill Road
Middletown, PA 17057, USA
Phone (800) 888-7388
Fax (717) 944-1625
<http://www.phoenixcon.com>



© 2011 Phoenix Contact
Technical modifications reserved;