

# IB IL 24/230 DOR4/W-PC-PAC


Order No.: 2862181



<http://eshop.phoenixcontact.de/phoenix/treeViewClick.do?UID=2862181>


Inline digital output terminal block, complete with accessories (connector and labeling field), 4 relay PDT contacts, 5 - 253 V AC, 3 A



Commercial data	
GTIN (EAN)	 4 017918 894672
sales group	K411
Pack	1 pcs.
Customs tariff	85389091
Catalog page information	Page 189 (AX-2011)

**Product notes**

WEEE/RoHS-compliant since: 06/22/2007



<http://www.download.phoenixcontact.com>  
Please note that the data given here has been taken from the online catalog. For comprehensive information and data, please refer to the user documentation. The General Terms and Conditions of Use apply to Internet downloads.

Technical data	
<b>General data</b>	
Width	48.8 mm
Height	119.8 mm
Depth	71.5 mm
Note on dimensions	Housing dimensions

Weight	138 g
Note on weight specifications	Without plug
Mounting type	DIN rail
Ambient temperature (operation)	-25 °C ... 55 °C
Ambient temperature (storage/transport)	-25 °C ... 85 °C
Permissible humidity (operation)	75 % ... 85 % (in the range of -25°C ... +55°C, appropriate measures against increased humidity (> 85%) must be taken.)
Permissible humidity (storage/transport)	75 % ... 85 % (slight temporary condensation may sometimes appear on the housing)
Air pressure (operation)	70 kPa ... 106 kPa (up to 3000 m above sea level)
Air pressure (storage/transport)	70 kPa ... 106 kPa (up to 3000 m above sea level)
Degree of protection	IP20
Protection class	I, IEC 61140, EN 61140, VDE 0140-1
Test section	Relay contact / Bus logics 4 kV 50 Hz 1 min Contact to contact 1 kV 50 Hz 1 min Contact / PE 1 kV 50 Hz 1 min

#### Interface

Name	INTERBUS local bus
Connection method	Via data marshalling
Transmission speed	500 kBaud

#### Power supply for module electronics

Supply voltage	24 V DC (nominal value)
Supply voltage range	19.2 V DC ... 30 V DC (including all tolerances, including ripple)
Communications power $U_L$	7.5 V (via voltage jumper)
Current consumption	max. 22 mA (from the local bus OFF)
Power consumption	max. 0.17 W (from the local bus OFF)

#### Inline potential routing

Communications power $U_L$	7.5 V
Current consumption from $U_L$	max. 187 mA

#### Digital outputs

Output name	Relay output
Connection method	Spring-cage connection Floating SPDT relay contact
Number of outputs	4

Maximum output current per channel	3 A
------------------------------------	-----

### Certificates / Approvals



Certification CUL, GOST, UL

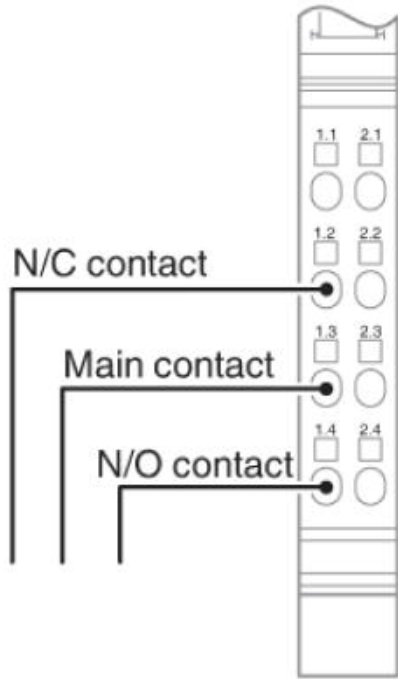
### Accessories

Item	Designation	Description
<b>General</b>		
2742641	IB IL DOR LV-SET	Inline distance terminal, without accessories
2742641	IB IL DOR LV-SET	Inline distance terminal, without accessories
2861645	IB IL DOR LV-SET-PAC	Inline distance terminal, complete with accessories
<b>Marking</b>		
0809492	ESL 62X10	Insert strip for laser printer, lettering field: 62 x 10 mm
0809502	ESL 62X46	Insert strip for laser printer, lettering field: 62 x 46 mm
2727501	IB IL FIELD 2	Labeling field, width: 12.2 mm
2727515	IB IL FIELD 8	Labeling field, width: 48.8 mm
<b>Plug/Adapter</b>		
2742667	IB IL DOR LV-PLSET	Connector set for distance terminal
2740290	IB IL SCN-8-AC-REL	Plug, for digital 1, 2 or 8-channel Inline terminals with AC voltage

**Diagrams/Drawings**

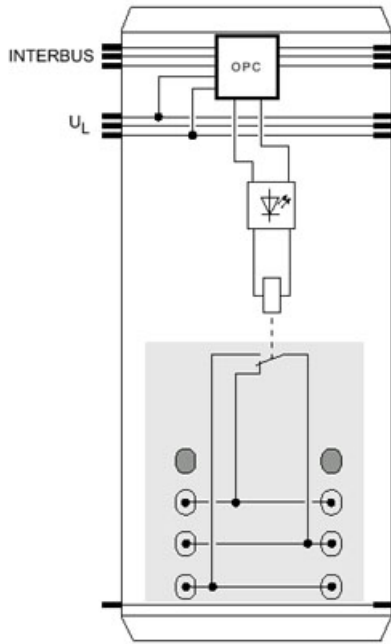
Connection diagram

---



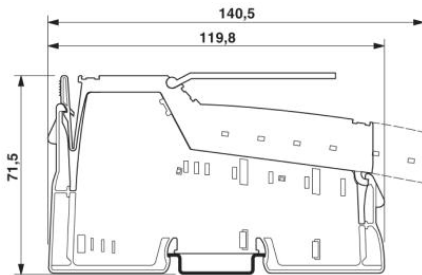
Block diagram

---



Dimensioned drawing

---



**Address**

PHOENIX CONTACT Inc., USA  
586 Fulling Mill Road  
Middletown, PA 17057, USA  
Phone (800) 888-7388  
Fax (717) 944-1625  
<http://www.phoenixcon.com>



© 2011 Phoenix Contact  
Technical modifications reserved;