

# MCR-VAC-UI-O-DC


Order No.: 2811103



<http://eshop.phoenixcontact.de/phoenix/treeViewClick.do?UID=2811103>

MCR voltage measuring transducer, for alternating current voltages from 0..20 V AC to 0..440 V AC, output signal 0..10 V/0(4)..20 mA



Commercial data	
GTIN (EAN)	 4 017918 125400
sales group	H536
Pack	1 pcs.
Customs tariff	85437090
Catalog page information	Page 720 (IF-2011)

<http://www.download.phoenixcontact.com>  
Please note that the data given here has been taken from the online catalog. For comprehensive information and data, please refer to the user documentation. The General Terms and Conditions of Use apply to Internet downloads.

Technical data	
<b>Input data</b>	
Input voltage range	0 V ... 370 V AC
Input resistance	370 kΩ
Input voltage range	0 V ... 250 V AC
Input resistance	250 kΩ
Input voltage range	0 V ... 170 V AC
Input resistance	170 kΩ
Input voltage range	0 V ... 120 V AC
Input resistance	120 kΩ

Input voltage range	0 V ... 80 V AC
Input resistance	80 k $\Omega$
Input voltage range	0 V ... 54 V AC
Input resistance	54 k $\Omega$
Input voltage range	0 V ... 36 V AC
Input resistance	36 k $\Omega$
Input voltage range	0 V ... 24 V AC
Input resistance	24 k $\Omega$
Nom. voltage	440 V (ungrounded)
	250 V (to earth)

#### Output data

Output name	Voltage output
Voltage output signal	0 V ... 10 V
Max. output voltage	15 V
Load/output load voltage output	> 10 k $\Omega$
Output name	Current output
Current output signal	0 mA ... 20 mA
	4 mA ... 20 mA
Max. output current	30 mA
Load/output load current output	< 500 $\Omega$

#### Power supply

Supply voltage range	18.5 V DC ... 30.2 V DC
Max. current consumption	< 45 mA

#### Connection data

Connection method	Pluggable screw connection
Conductor cross section solid min.	0.2 mm <sup>2</sup>
Conductor cross section solid max.	2.5 mm <sup>2</sup>
Conductor cross section stranded min.	0.2 mm <sup>2</sup>
Conductor cross section stranded max.	2.5 mm <sup>2</sup>
Conductor cross section AWG/kcmil min.	24
Conductor cross section AWG/kcmil max	14
Stripping length	8 mm
Screw thread	M3

#### General data

Width	22.5 mm
Height	99 mm
Depth	114.5 mm
Maximum transmission error	< 1.5 % (of final value)
Temperature coefficient, typical	0.02 %/K (50/60 Hz)
Frequency measuring range	45 Hz ... 400 Hz
Alignment zero	± 20 %
Alignment span	± 20 %
Step response (10-90%)	250 ms
Ambient temperature (operation)	-25 °C ... 60 °C
Ambient temperature (storage/transport)	-40 °C ... 85 °C (without condensation)
Degree of protection	IP20
Surge voltage category	III
Pollution degree	2
Rated insulation voltage	300 V DC
Test voltage input/output	3.3 kV (50 Hz, 1 min.)
Test voltage input/power supply	3.3 kV (50 Hz, 1 min.)
Test voltage output/power supply	1 kV (50 Hz, 1 min.)
Color	green
Housing material	Polyamide PA non-reinforced
Conformance	CE-compliant
UL, USA / Canada	cULus

#### Certificates / Approvals

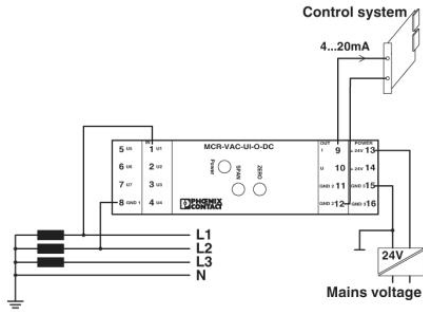


Certification

CUL, GOST, UL

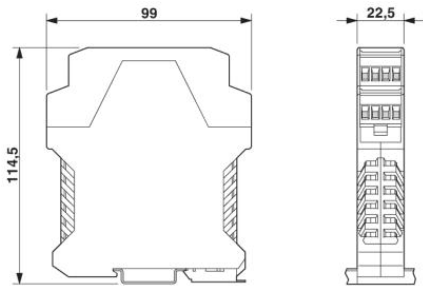
**Diagrams/Drawings**

Application drawing

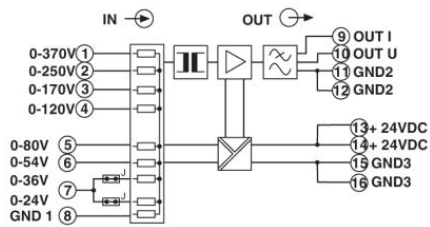


Voltage measurement in case of grounded circuits

Dimensioned drawing



Circuit diagram



**Address**

PHOENIX CONTACT Inc., USA  
586 Fulling Mill Road  
Middletown, PA 17057, USA  
Phone (800) 888-7388  
Fax (717) 944-1625  
<http://www.phoenixcon.com>



© 2011 Phoenix Contact  
Technical modifications reserved;