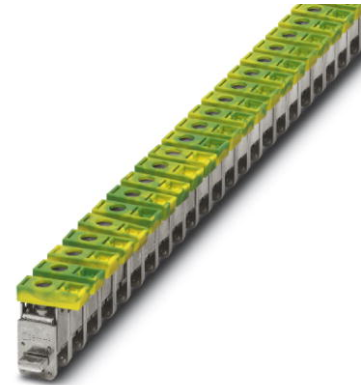



# AKG 35 GNYE

Order No.: 0424026

<http://eshop.phoenixcontact.de/phoenix/treeViewClick.do?UID=0424026>

Power terminal block, Load current : 125 A, Cross section: 2.5 mm<sup>2</sup> - 35 mm<sup>2</sup>, Width: 14.3 mm, Color: green-yellow

## Commercial data

GTIN (EAN)	 4 017918 002053
sales group	A510
Pack	50 pcs.
Customs tariff	85369010
Catalog page information	Page 499 (CL1-2011)

## Product notes

WEEE/RoHS-compliant since:  
07/29/2005



<http://www.download.phoenixcontact.com>  
Please note that the data given here has been taken from the online catalog. For comprehensive information and data, please refer to the user documentation. The General Terms and Conditions of Use apply to Internet downloads.

## Technical data

### General

Color	green-yellow
Insulating material	PA
Inflammability class acc. to UL 94	V2

**Dimensions**

Length	27 mm
Width	14.3 mm

**Technical data**

Maximum load current	125 A (with 35 mm <sup>2</sup> conductor cross section)
Connection in acc. with standard	IEC / EN
Nominal current I <sub>N</sub>	125 A

**Connection data**

Conductor cross section solid min.	2.5 mm <sup>2</sup>
Conductor cross section solid max.	35 mm <sup>2</sup>
Conductor cross section stranded min.	2.5 mm <sup>2</sup>
Conductor cross section stranded max.	25 mm <sup>2</sup>
Conductor cross section AWG/kcmil min.	14
Conductor cross section AWG/kcmil max	2
Conductor cross section stranded, with ferrule without plastic sleeve min.	2.5 mm <sup>2</sup>
Conductor cross section stranded, with ferrule without plastic sleeve max.	35 mm <sup>2</sup>
Conductor cross section stranded, with ferrule with plastic sleeve min.	2.5 mm <sup>2</sup>
Conductor cross section stranded, with ferrule with plastic sleeve max.	35 mm <sup>2</sup>
2 conductors with same cross section, solid min.	1.5 mm <sup>2</sup>
2 conductors with same cross section, solid max.	16 mm <sup>2</sup>
2 conductors with same cross section, stranded min.	1.5 mm <sup>2</sup>
2 conductors with same cross section, stranded max.	16 mm <sup>2</sup>
2 conductors with same cross section, stranded, ferrules without plastic sleeve, min.	1.5 mm <sup>2</sup>
2 conductors with same cross section, stranded, ferrules without plastic sleeve, max.	16 mm <sup>2</sup>
2 conductors with same cross section, stranded, TWIN ferrules with plastic sleeve, min.	1.5 mm <sup>2</sup>
2 conductors with same cross section, stranded, TWIN ferrules with plastic sleeve, max.	10 mm <sup>2</sup>
Stripping length	16 mm
Screw thread	M6

Tightening torque, min	3.2 Nm
Tightening torque max	3.7 Nm

### Certificates / Approvals



Certification

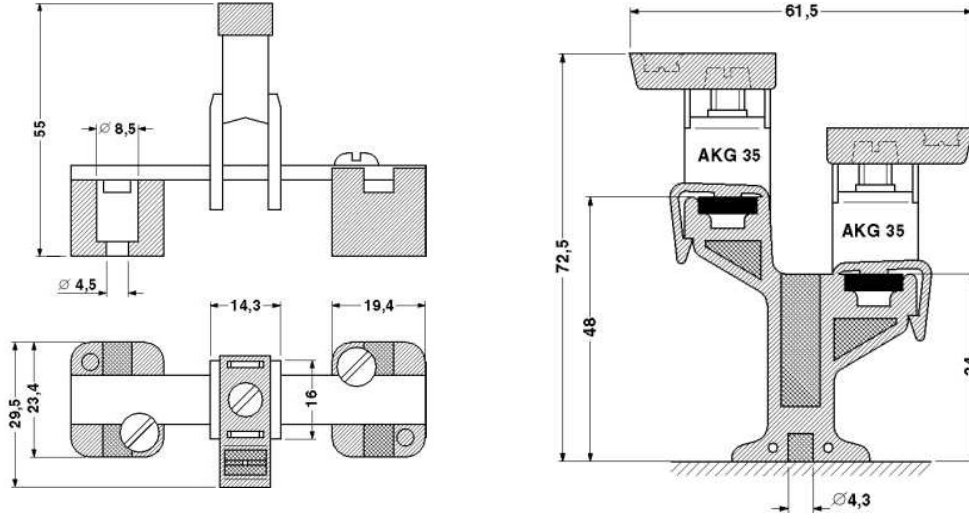
CSA, CUL, GOST, UL

### Accessories

Item	Designation	Description
<b>Assembly</b>		
0404428	AB/SS	Support made of insulating material, with retaining screw, for use with either 3 x 10 mm or 6 x 6 mm busbar, color: gray
0404431	AB2/SS	Double support, insulating material, optionally for use with 3 mm x 10 mm or 6 mm x 6 mm busbar, height: 48 mm
0404460	ABN 2/SS	Double support, insulating material, optionally for use with 3 mm x 10 mm or 6 mm x 6 mm busbar, height: 36.8 mm
0402174	NLS-CU 3/10 SN 1000MM	PEN conductor busbar, 3mm x 10 mm, length: 1000 mm
3032431	UAB 1	Support, Width: 2 mm, Color: blue
<b>Marking</b>		
1051003	ZB 6:UNBEDRUCKT	Zack strip, unprinted, strips with 10 labels for individual labeling with M-PEN or CMS system, for terminal block width: 6.2 mm, color: white
<b>Tools</b>		
1205066	SZS 1,0X4,0 VDE	Screwdriver, bladed, VDE insulated, size: 1.0 x 4.0 x 100 mm, 2-component grip, with non-slip grip
1205079	SZS 1,0X6,5 VDE	Screwdriver, bladed, VDE insulated, size: 1.0 x 6.5 x 150 mm, 2-component grip, with non-slip grip

Diagrams/Drawings

Dimensioned drawing



**Address**

PHOENIX CONTACT Inc., USA  
586 Fulling Mill Road  
Middletown, PA 17057, USA  
Phone (800) 888-7388  
Fax (717) 944-1625  
<http://www.phoenixcon.com>



© 2011 Phoenix Contact  
Technical modifications reserved;