


# KEL-SNAP 16

Order No.: 3063099



<http://eshop.phoenixcontact.de/phoenix/treeViewClick.do?UID=3063099>

Snap-up frame, Length: 128 mm, Width: 64 mm, Height: 38 mm,  
Color: black

Commercial data	
GTIN (EAN)	 4 046356 300872
sales group	B240
Pack	10 pcs.
Customs tariff	39174000
Catalog page information	Page 685 (CL-2009)

#### Product notes

WEEE/RoHS-compliant since:  
06/21/2007



<http://www.download.phoenixcontact.com>  
Please note that the data given here has been taken from the online catalog. For comprehensive information and data, please refer to the user documentation. The General Terms and Conditions of Use apply to Internet downloads.

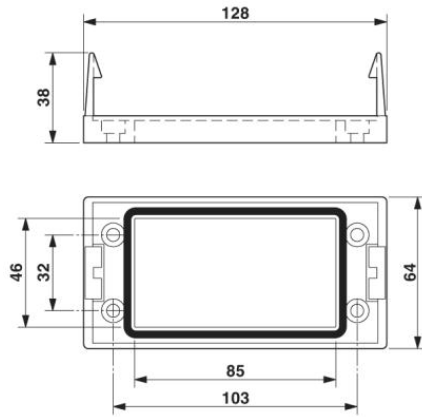
#### Product description

Snap-on frame, small

## Diagrams/Drawings

Dimensioned drawing

---



**Address**

PHOENIX CONTACT Inc., USA  
586 Fulling Mill Road  
Middletown, PA 17057, USA  
Phone (800) 888-7388  
Fax (717) 944-1625  
<http://www.phoenixcon.com>



© 2011 Phoenix Contact  
Technical modifications reserved;