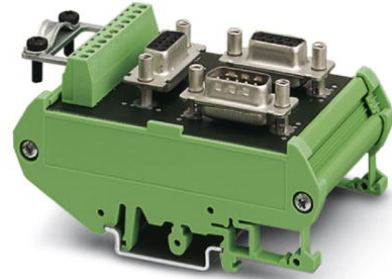


PSM PTK


Order No.: 2760623




<http://eshop.phoenixcontact.de/phoenix/treeViewClick.do?UID=2760623>

Passive RS-485 T-distributor, fitted with one 9-pin D-SUB pin strip and two 9-pin D-SUB socket strips



Commercial data	
GTIN (EAN)	
sales group	H697
Pack	1 pcs.
Customs tariff	85366990
Catalog page information	Page 577 (IF-2011)

Product notes
WEEE/RoHS-compliant since: 07/14/2006 

<http://www.download.phoenixcontact.com>
 Please note that the data given here has been taken from the online catalog. For comprehensive information and data, please refer to the user documentation. The General Terms and Conditions of Use apply to Internet downloads.

Technical data	
General data	
Nominal voltage U_N	60 V AC/DC
Nominal current I_N	1 A
Bus system	RS-485

Shielding	D-SUB frame or shield connector
Test voltage	500 V AC (50 Hz, 1 min, rms)
Ambient temperature (operation)	-20 °C ... 50 °C
Housing material	PVC
Inflammability class acc. to UL 94	V0
Pin assignment	all 1:1
Width	56 mm
Height	89.6 mm
Length	48 mm

Connection data

Connection	Incoming
Number of positions	9
Connection method	D-SUB-9 male connector
Connection	Outgoing
Number of positions	9
Connection method	D-SUB-9 female connector
Connection	Branching
Number of positions	9
Connection method	D-SUB-9 female connector

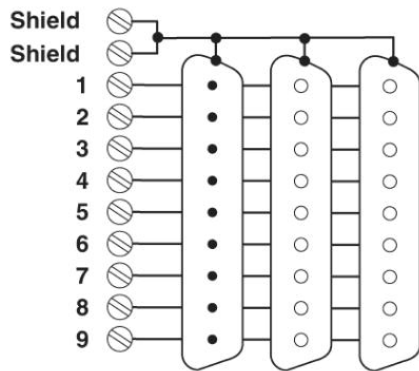
Certificates / Approvals

Certification

CUL, GOST, UL

Diagrams/Drawings

Circuit diagram



Address

PHOENIX CONTACT Inc., USA
586 Fulling Mill Road
Middletown, PA 17057, USA
Phone (800) 888-7388
Fax (717) 944-1625
<http://www.phoenixcon.com>



© 2011 Phoenix Contact
Technical modifications reserved;