

4

3

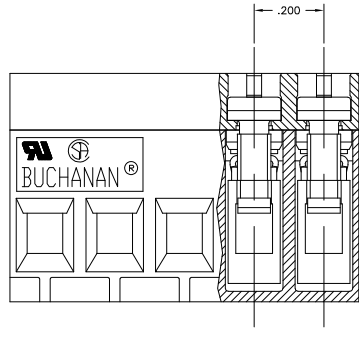
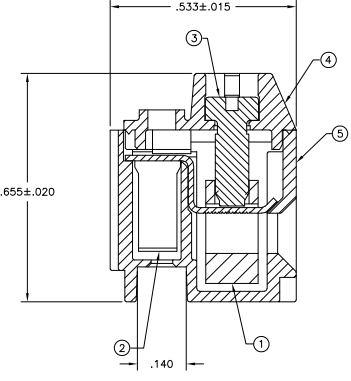
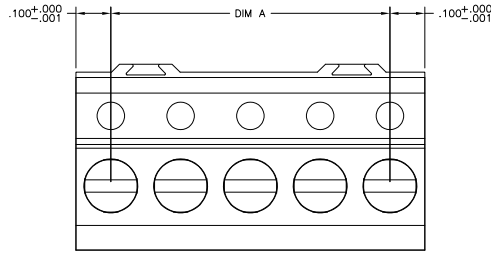
2

1

THIS DRAWING IS UNPUBLISHED. RELEASED FOR PUBLICATION  
 © COPYRIGHT BY TYCO ELECTRONICS CORPORATION. ALL RIGHTS RESERVED.

LOC	DIST	REVISIONS					
FT	0	P	LTR	DESCRIPTION	DATE	BY	APPD
		A1		REVISED PER ECO-05-10597	10/6/05	SS	CR

NOTES:  
 HOUSING MATERIAL: POLYIMIDE TYPE 6/6  
 94VO RATED, COLOR BLUE  
 TERMINAL: PHOS BRONZE, TIN PLATED  
 WIRE CAGE: HARDENED STEEL ZINC PLATED.  
 SCREW: M2.5 X 6.2 STEEL, ZINC PLATED.



4.200±.011	22	B51C8U22T	9-1437426-5
3.800±.010	20	B51C8U20T	9-1437426-4
3.400±.009	18	B51C8U18T	9-1437426-3
3.000±.008	16	B51C8U16T	9-1437426-2
2.600±.007	14	B51C8U14T	9-1437426-1
2.400±.007	13	B51C8U13T	9-1437426-0
2.200±.006	12	B51C8U12T11GK	8-1437426-9
2.200±.006	12	B51C8U12T	8-1437426-7
2.000±.006	11	B51C8U11T	8-1437426-6
1.800±.006	10	B51C8U10T11FK	8-1437426-5
1.800±.006	10	B51C8U10T	8-1437426-3
1.600±.005	9	B51C8U09T	8-1437426-1
1.400±.005	8	B51C8U08T	8-1437426-0
1.200±.004	7	B51C8U07T	7-1437426-8
1.000±.004	6	B51C8U06T	7-1437426-7
.800±.003	5	B51C8U05T	7-1437426-5
.600±.002	4	B51C8U04T	7-1437426-4
.400±.002	3	B51C8U03T	7-1437426-2
.200±.002	2	B51C8U02T	7-1437426-1

THIS DRAWING IS A CONTROLLED DOCUMENT. DIM: S. SCHLEGEL 03/02/02  
 OK: RICHARD 12/2/02  
 C: RICHARD 12/2/02  
 APD: C. RICHARD 12/2/02

DIMENSIONS: INCHES  
 0 PLC ± .005  
 1 PLC ± .005  
 2 PLC ± .005  
 3 PLC ± .005  
 4 PLC ± .005  
 ANGLES ± .1°  
 FINISH

MATERIAL: -

TYCO Electronics Corporation  
 Harrisburg, PA 17105-3608

TERMINAL BLOCK ASSEMBLY  
 .200 (5.08MM) SPACING

APPLICATION SPEC: -  
 WEIGHT: -

SIZE: A2  
 CASE CODE: 00779  
 DRAWING NO: C=7-1437426-0  
 RESTRICTED TO: -

CUSTOMER DRAWING SCALE: 5:1 SHEET: 1 of 1 REV: A1