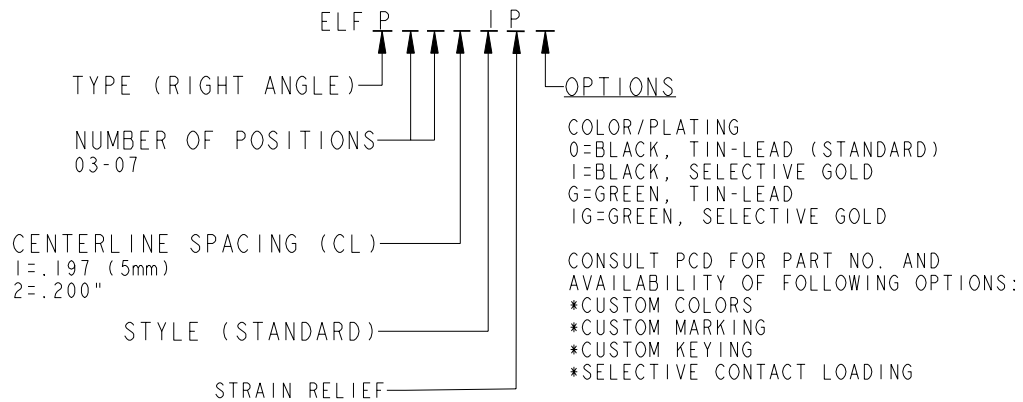


REV	ECN	APP'D
-	5297	

### ELFP SERIES PART NUMBERING SCHEME



**RATINGS**  
CURRENT - 15A  
VOLTAGE - 300V  
U.L. FILE NO. E83421



**RATINGS**  
CURRENT - 15 A  
VOLTAGE - 300 V  
CSA FILE NO. LR69703

DIN VDE 0627:1986  
DIN VDE 0110-1:1989  
EN 60947-1:1991  
EN 60947-7-1:1992

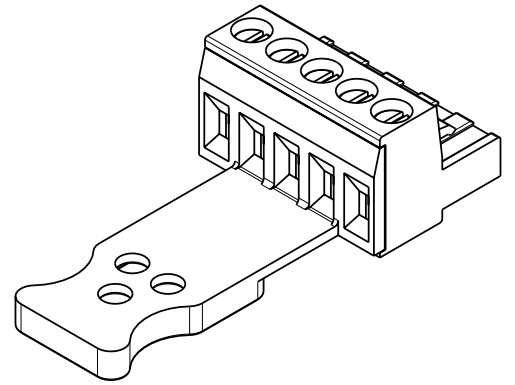
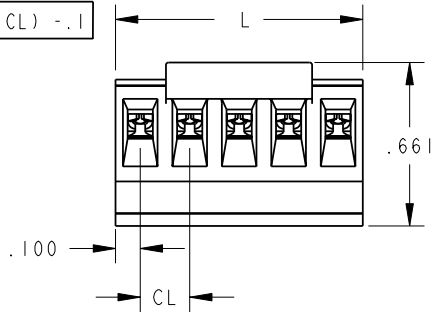
CURRENT -15 A  
VOLTAGE - 300 V  
TUV FILE NO. 20396

INSTALLATION RECOMMENDATIONS:  
WIRE RANGE: AWG #14-26, STRANDED  
OR SOLID; AWG #12 STRANDED  
WIRE STRIP LENGTH: .310"  
TIGHTENING TORQUE: 7 LB-IN.

MATERIALS:  
HOUSING: PPO, UL 94 V-0  
CONTACT: COPPER ALLOY, OPTIONAL FINISH  
SCREW: STEEL, NICKEL FINISH  
WIRE CLAMP: COPPER ALLOY, NICKEL FINISH  
MAX OPERATING TEMPERATURE:  
105°C

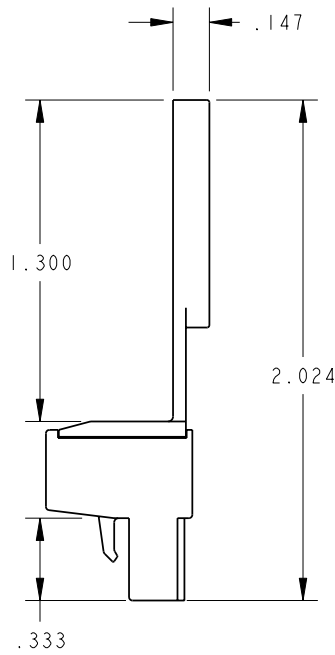
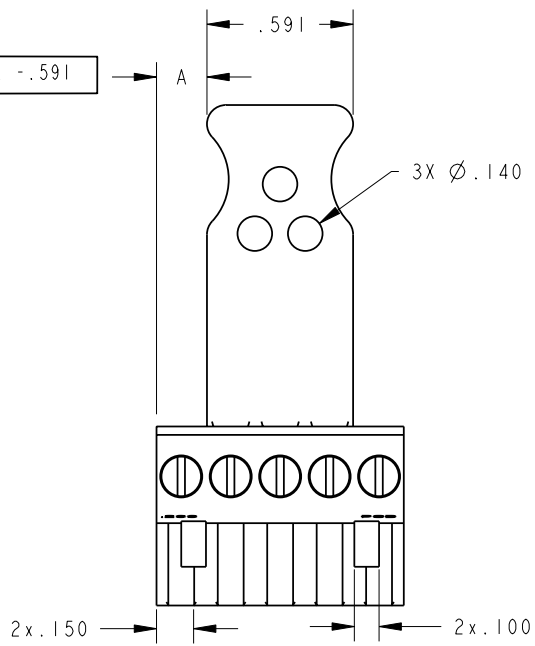
<b>DIMENSIONS</b> ANSI Y14.5M UNITS: INCHES Pro/E FILE	<b>TOLERANCES</b> .XX ±0.01 .XXX ±0.005 ANGLES ±1.0°	<b>PROJECTION</b> 	<b>AMPHENOL PCD</b>		<b>TITLE</b> ELFP SERIES PLUG WITH STRAIN RELIEF, RIGHT ANGLE	
			<b>ENGR</b> R. NEWMAN 09/02/03	<b>CHKD</b>		
<b>ORIGINAL STAMPED IN RED</b>	<i>THIS DOCUMENT CONTAINS PROPRIETARY INFORMATION WHICH IS THE CONFIDENTIAL PROPERTY OF PCD, INC. PEABODY, MA, USA</i>		<b>APPD</b>	<b>CODE:</b> 58982	<b>SCALE:</b> NONE	<b>SHEET</b> 1 OF 2

$$L = (\text{NUM OF POS X CL}) - .1$$



P/N ELFP0511P0 SHOWN

$$A = L - .591$$



SIZE	DWG NO.	REV
<b>A</b>	ELFP0311P0	-
CODE: 58982	SCALE: NONE	SHEET 2 OF 2