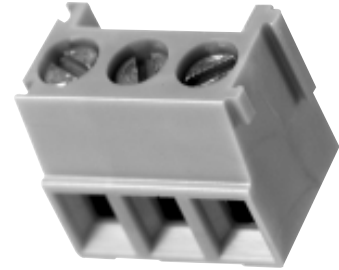




**3.5mm (.140") Pitch
Beau Eurostyle®
Fixed Blocks**

**39830
Modular**



83 Series

FEATURES AND SPECIFICATIONS

Features and Benefits

- 2 and 3 circuits
- High density
- Low profile, small footprint
- 85°C operating temperature
- Modular dove tail construction
- Rising cage pressure clamp

Electrical

Voltage: 150 V
Maximum Current: 8 Amp
Insulation Resistance: >5,000 Megaohms

Mechanical

Rec. Tightening Torque: 2 in. lbs, .23 Nm
Operating Temperature: 85°C
Wire Strip Length: 1/4" or 6mm

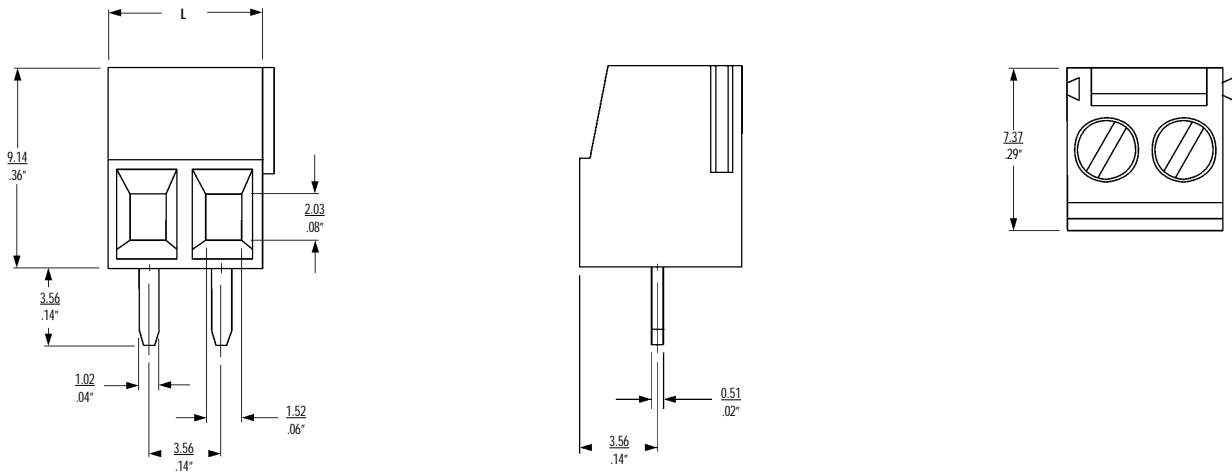
Physical

Housing: PBT UL94 V-0, Green
Screws: Steel
Screw Plating: Zinc chromate
Pressure Clamp: Brass
Pressure Clamp Plating: Nickel
Contact: Brass
Contact Plating: Tin
Wire Range: 16 to 26 AWG, 1 to 0.2mm²

Reference Information

UL : File No. E48521
Guide No. XCFR2
CSA: File No. 025562

CATALOG DRAWING (FOR REFERENCE ONLY)



ORDERING INFORMATION AND DIMENSIONS

Part Number*		# of Circuits	L	
Order #	Engineering #		in	mm
39830-0102	830502	2	.275	7.0
39830-0103	830503	3	.413	10.5

*Contact factory for imprinting and other options