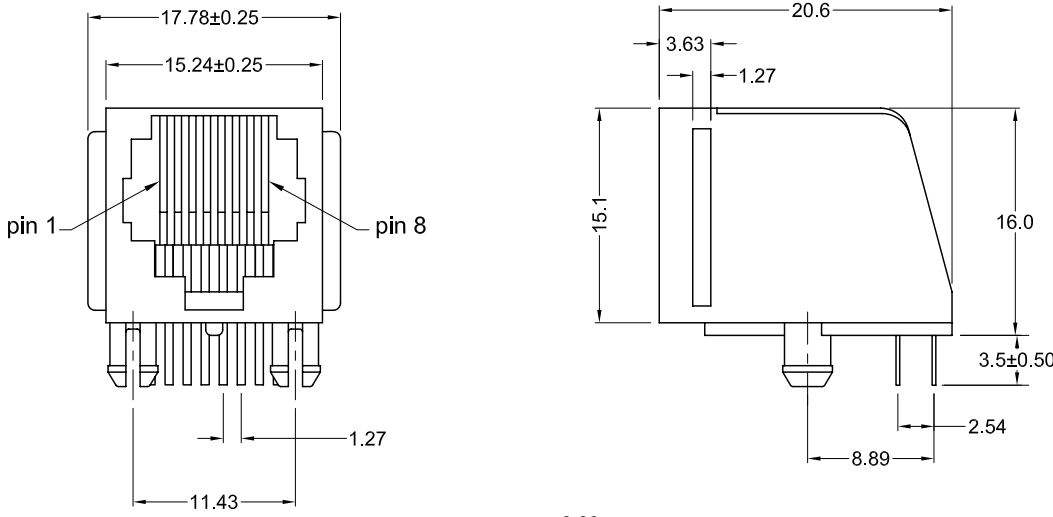


KYCON, Inc. 1810 Little Orchard Street, San Jose, CA 95125 (408)494-0330



Materials and Finish

Housing Material-
PBT Thermoplastic
UL 94V-0 Rated
Color: Black

Design meets UL 1863 Sec. 8
Electrical Probe and Sec. 20
Child Finger test requirements

Contact Material-
Phosphor Bronze

Contact Plating Options-
Standard: 0.0001" Nickel
Underplating, Selectively Plated
0.000015" Gold on Contact Area,
Tin Plated on Termination End

-50 Option: 0.0001" Nickel Underplating,
Selectively Plated 0.000050"
Gold on Contact Area to
Comply with FCC Requirements
Under No. 47 C.F.R. Part 68,
Subpart F, Tin Plated on
Termination End

Electrical Characteristics

Current Rating-
1.5 Amps

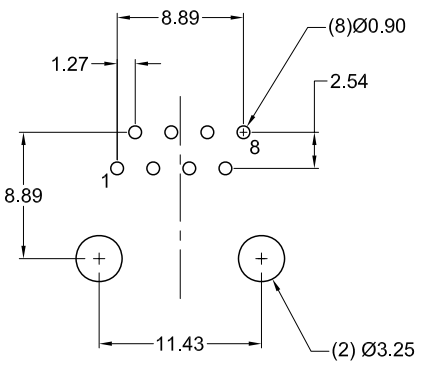
Voltage Rating-
125V DC

Insulation Resistance-
500 Megohms Min.

Dielectric Withstanding Voltage-
1000V rms, 60Hz

Contact Resistance-
20 milliohms Max.

Operating Temperature-
-40°C to +85°C



Recommended PCB Layout
(top view)

Part Number	Contact Area Plating Finish
GDX-A-88	15u" Gold (standard)
GDX-A-88-50	50u" Gold (-50 option)

RoHS COMPLIANT
EU Directive 2002/95/EC

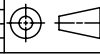


Tolerances
X.X ± 0.25
X.XX ± 0.15
Unless Stated Otherwise

REV.	DATE	DESCRIPTION	REV. BY	CHK. BY	DRAWN BY	DATE
A1	7/14/05	New Drawing	R. Aguirre	H. MA	R. Aguirre	05/11/05
A2	05/13/10	ECO #10-025	S. Vien	H. MA		

GDX-A-88-xx

Right Angle PCB Mount, RoHS Compliant
Modular Jack, 8 positions, 8 contacts



UNITS
mm