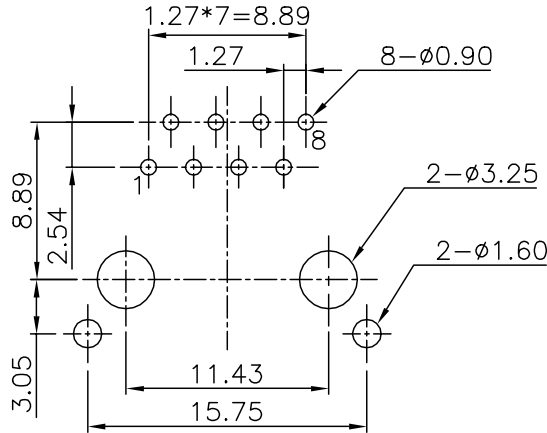
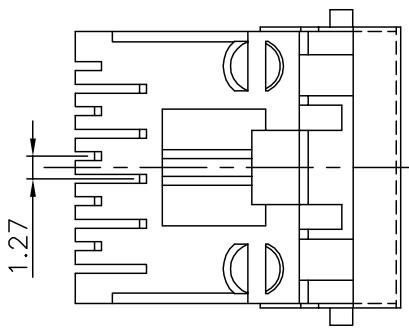


PCB LAYOUT/TOP VIEW



**Materials and Finish**

Housing Material-  
PBT Thermoplastic  
UL 94V-0 Rated  
Color: Black

Shield Material-  
Nickel Plated Copper Alloy

Contact Material-  
Phosphor Bronze

Contact Plating Options-  
Standard: 0.0001" Nickel  
Plating, Selective Plating  
0.000015" Gold on Contact  
Area  
50: 0.0001" Nickel Plating,  
Selective Plating 0.000050"  
Gold on Contact Area to  
Comply with FCC Requirements  
Under No. 47 C.F.R. Part 68,  
Subpart F

**Electrical Characteristics**

Insulation Resistance-  
500 Megohms Min.

Dielectric Withstanding Voltage-  
1000V rms, 60Hz

Contact Resistance-  
20 milliohms Max.

Current Rating-  
1.5 Amps

Part Number	Contact Area Plating Finish
GDL-S-88K	15u" Gold (standard)
GDL-S-88K-50	50u" Gold (50 option)

CSA NRTL/C Certified File No. LR78160

REVISION	DATE	DESCRIPTION	DRAWN BY	CHECKED BY	UNITS
B0	11/30/00	ECD #00-206	K. Wallace		mm
B1	8/16/01	ECD #01-047	REVISED BY	APPROVED BY	DATE
C1	4/9/02	ECD #01-066	C. Leiva		11/29/00

GDL-S-88K

Modular Jack, Right angle  
8 Pos, 8 Contacts, shielded, keyed opening

