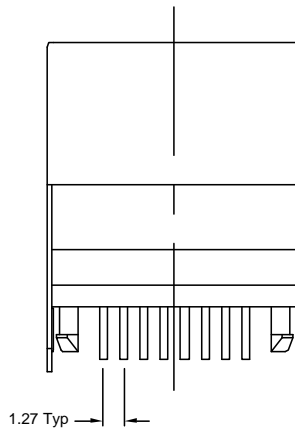
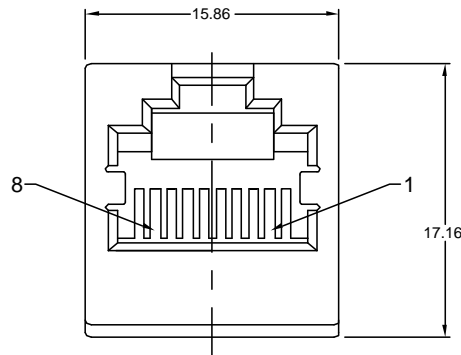
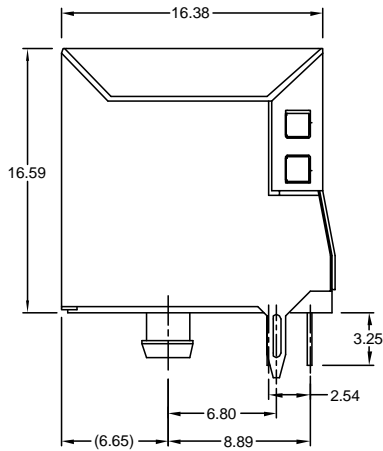
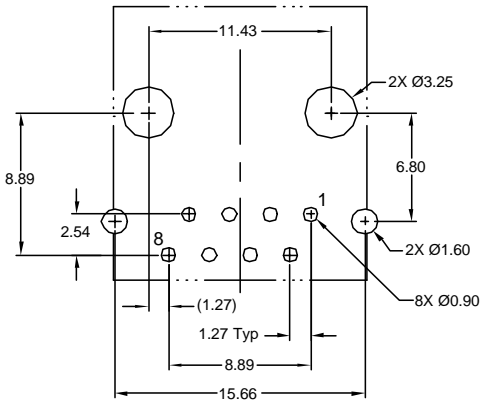


**Recommended PCB Layout
(top view)**



Materials and Finish

Housing Material-
PBT thermoplastic
UL 94V-0 rated
Color: black

Shield: 0.20mm thick
Brass, nickel plated

Contact Material-
Phosphor bronze

Plating Options-
Standard: 0.0001" nickel
underplating, gold flash plating
on contact area, Tin plated on
solder area

50 Option: 0.0001" nickel
underplating, contact area plated
0.000050" gold to comply
with FCC requirements
under No. 47 C.F.R. Part 68,
Subpart F, Tin plated on solder area

Electrical Characteristics

Insulation Resistance-
500 Megohms min.

Dielectric Withstanding Voltage-
1000V rms, 60Hz

Contact Resistance-
20 milliohms max.

Current Rating- 1.5A

Operating Temperature-
-40°C to +85°C

Durability Rating-
500 mating cycles min.

Part Number	Contact Area Plating Finish
GDC-PNS-88	Gold flash (standard)
GDC-PNS-88-50	50u" Gold (50 option)

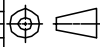
Tolerances
X.X ± 0.38
X.XX ± 0.25
Unless Stated Otherwise

REV.	DATE	DESCRIPTION	REV. BY	CHK. BY	DRAWN BY	DATE
A0	01/26/04	New Drawing	J. Wong	C. Leiva	J. Wong	01/23/04
A1	03/25/04	Release Drawing	H. MA	N/A		

GDC-PNS-88

Vertical, Thru-Hole PCB Mount, Shielded Mod Jack

8 position/8 contacts, closed body type



UNITS
mm