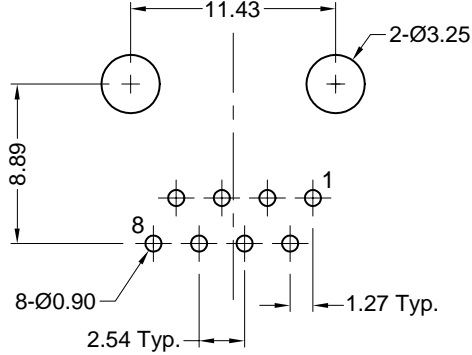


**Recommended PCB Layout
(Top View)**



Material and Finish

Body: PBT, glass filled
UL94V-0 rated, color: black

Contact Material: phosphor bronze,
nickel underplate on entire contact,
tin-lead on termination end

Gold Plating Options on
Contact Area:
Standard: gold flash

50 option: 50u" gold
to comply with FCC
requirements under #47
C.F.R. Part 68,
Subpart F

Electrical Characteristics

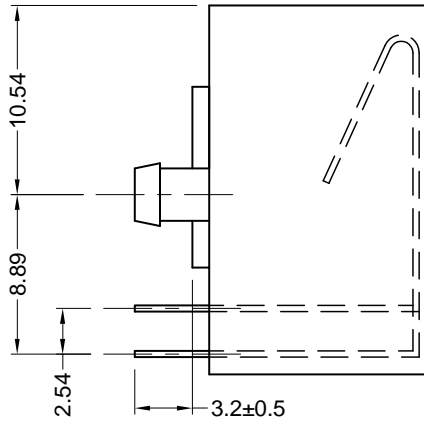
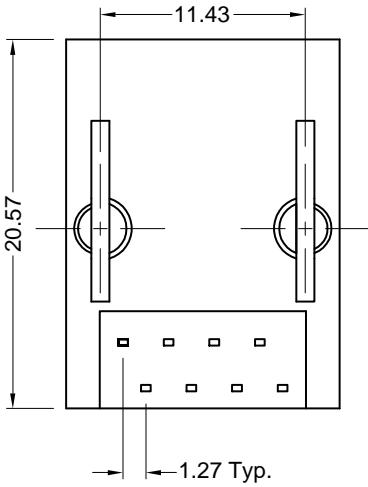
Insulation Resistance:
500 Megohms min.

Dielectric Withstanding Voltage:
1000 Volts RMS,
for 1 minute

Contact Resistance:
20 milliohms max.

Current Rating: 1.5A

Operating Temperature:
-40°C to +85°C



Ordering Information	
Part Number	Contact Area Plating Finish
GS-N-88	Gold Flash (standard)
GS-N-88-50	50u" Gold (50 option)

Tolerances
X.X ± 0.25
X.XX ± 0.15
Unless Stated Otherwise

REVISION	DATE	DESCRIPTION	DRAWN BY	REV CHECK BY	UNITS
A	6/4/96	NEW PART	J. Kring	T. Gokcek	mm
A1	3/20/03	ECD #03-010	REVISED BY	REV CHECK DATE	DATE
A2	6/27/03	ECD #03-012	C. Leiva	6/27/03	

GS-N-88

Rt. Ang Modular Jack
8 position/ 8 contacts, nonshielded

