

Materials and Finish

Housing Material-
PBT Thermoplastic
UL 94V-0 Rated
Color: Black

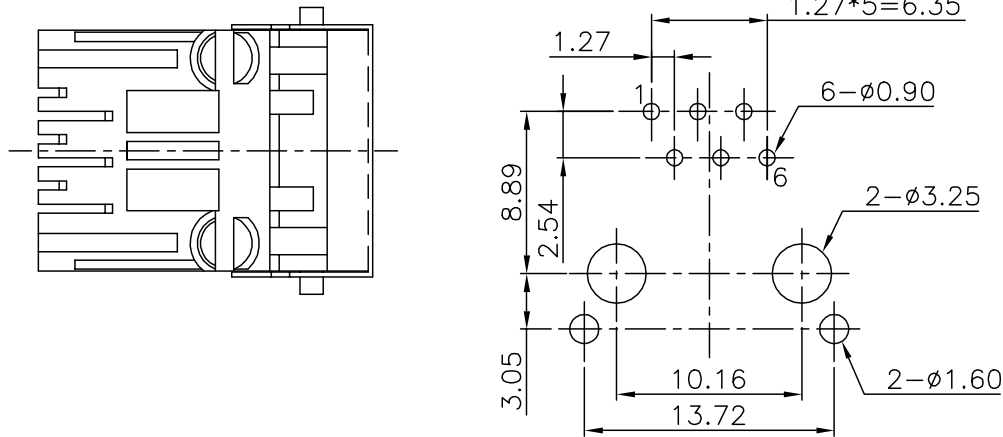
Shield Material-
Nickel Plated Copper Alloy

Contact Material-
Phosphor Bronze

Contact Plating Options-
Standard: 0.0001" Nickel
Plating, Selective Plating
0.000015" Gold on Contact
Area

50: 0.0001" Nickel Plating,
Selective Plating 0.000050"
Gold on Contact Area to
Comply with FCC Requirements
Under No. 47 C.F.R. Part 68,
Subpart F

PCB LAYOUT/TOP VIEW



Electrical Characteristics

Insulation Resistance-
500 Megohms Min.

Dielectric Withstanding Voltage-
1000V rms, 60Hz

Contact Resistance-
20 milliohms Max.

Current Rating-
1.5 Amps

Part Number	Contact Area Plating Finish
GDL-S-66	15u" Gold (standard)
GDL-S-66-50	50u" Gold (50 option)

CSA NRTL/C Certified File No. LR78160

REVISION	DATE	DESCRIPTION	DRAWN BY	CHECKED BY	UNITS
B0	11/30/00	ECD #00-206	K. Wallace		mm
B1	8/16/01	ECD #01-047	REVISED BY	APPROVED BY	DATE
B2	2/12/02	ECD #01-202	C. Leiva		11/29/00

GDL-S-66

Modular Jack, Right angle

6 Pos, 6 Contacts, shielded

