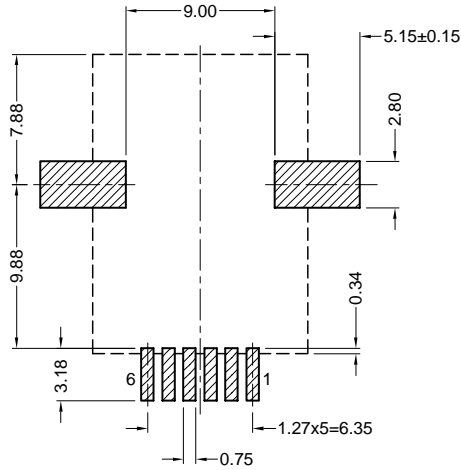
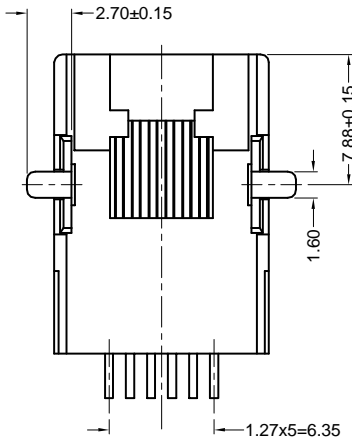


DETAIL A

DETAIL A



Recommended PCB Layout
(top view)

Materials and Finish

Housing Material:
high temp. thermoplastic,
(reflow process compatible)
UL 94V-0 rated, black color

Recommended Reflow Temperature:
230°C for 30 seconds,
260°C max.

Design meets UL 1863 Sec. 8
Electrical Probe and Sec. 20
Child Finger test requirements

Contact Material: phosphor bronze

Contact Plating Options:
Standard: 0.0001" Nickel
Plating, Selective Plating
Gold Flash on Contact
Area, Tin/Lead on Termination End
-50 Option: 0.0001" Nickel Plating,
Selective Plating 0.000050"
Gold on Contact Area to
Comply with FCC Requirements
Under No. 47 C.F.R. Part 68,
Subpart F, Tin/Lead on
Termination End

Electrical Characteristics

Insulation Resistance:
500 Megohms min.

Dielectric Withstanding Voltage:
1000V rms, 60Hz

Contact Resistance:
20 milliohms max.

Current Rating: 1.5 Amps

Durability Rating:
1000 mating cycles min.

Operating Temperature:
-40°C to +85°C

Part Number	Contact Area Plating	Packaging
GM-SMT4-N-66	Gold Flash (standard)	Bulk
GM-SMT4-N-66-50	50u" Gold (50 option)	
GM-SMT4-N-66-TR	Gold Flash (standard)	Tape & Reel
GM-SMT4-N-66-50TR	50u" Gold (50 option)	

Tolerances	
X.X ± 0.38	Unless Stated Otherwise
X.XX ± 0.25	
US C LR78160	

REVISION	DATE	DESCRIPTION	DRAWN BY	DESIGNED BY	UNITS
A2	6/18/01	REF ECD 01-113	E. Cruz		mm
A3	3/25/02	REF ECD 01-199	REVISED BY	APPROVED BY	DATE
A4	6/5/02	REF ECD 02-038	C. Leiva		12/15/00

GM-SMT4-N-66

Right Angle Modular Jack--No Pegs

6 position, 6 contacts, Surface Mount

