

ICV 2,5/22-G-5,08


Order No.: 1786145

The figure shows a 10-position version of the product



<http://eshop.phoenixcontact.de/phoenix/treeViewClick.do?UID=1786145>

Header, Nominal current: 12 A, Rated voltage (III/2): 320 V, Number of positions: 22, Pitch: 5.08 mm, Color: green, Assembly: Soldering

| Commercial data | |
|--------------------------|--|
| GTIN (EAN) |  4 017918 042295 |
| Note | Made-to-order |
| sales group | E130 |
| Pack | 50 pcs. |
| Customs tariff | 85366990 |
| Catalog page information | Page 179 (CC-2005) |

Product notes

WEEE/RoHS-compliant since:
01/01/2003



<http://www.download.phoenixcontact.com>
Please note that the data given here has been taken from the online catalog. For comprehensive information and data, please refer to the user documentation. The General Terms and Conditions of Use apply to Internet downloads.

Technical data

| Dimensions / positions | |
|------------------------|-----------|
| Length | 10.2 mm |
| Pitch | 5.08 mm |
| Dimension a | 106.68 mm |
| Number of positions | 22 |
| Pin dimensions | 1,2 x 0,5 |

| | |
|-------------------------------------|---------------|
| Hole diameter | 1.4 mm |
| Technical data | |
| Range of articles | ICV 2,5/...-G |
| Insulating material group | I |
| Rated surge voltage (III/3) | 4 kV |
| Rated surge voltage (III/2) | 4 kV |
| Rated surge voltage (II/2) | 4 kV |
| Rated voltage (III/2) | 320 V |
| Rated voltage (II/2) | 630 V |
| Connection in acc. with standard | EN-VDE |
| Nominal current I_N | 12 A |
| Nominal voltage U_N | 320 V |
| Maximum load current | 12 A |
| Insulating material | PA |
| Inflammability class acc. to UL 94 | V0 |
| Color | Green |
| Nominal voltage, UL/CUL Use Group B | 250 V |
| Nominal current, UL/CUL Use Group B | 12 A |
| Nominal voltage, UL/CUL Use Group D | 300 V |
| Nominal current, UL/CUL Use Group D | 10 A |

Certificates / Approvals



Certification

CB, CSA, CUL, GOST, UL, VDE-PZI

Accessories

| Item | Designation | Description |
|-----------------|-------------|---|
| Assembly | | |
| 1808353 | FLRP/ICV 80 | Pair of guide rails, is inserted into the groove ICV/...G, height: 86 mm, hole diameter: 3.4 mm |

Plug/Adapter

| | | |
|---------|---------|---|
| 1734634 | CP-MSTB | Keying profile, is inserted into the slot on the plug or inverted header, red insulating material |
| 0201744 | MPS-MT | Test plugs |
| 0201647 | RPS | Reducing plug, Color: gray |

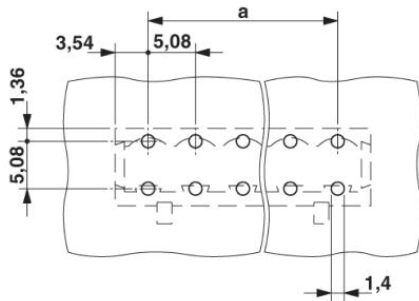
Additional products

| Item | Designation | Description |
|----------------|------------------------|--|
| General | | |
| 1880504 | EMSTBA 2,5/22-G-5,08 | Header, Nominal current: 12 A, Rated voltage (III/2): 320 V, Number of positions: 22, Pitch: 5.08 mm, Color: green, Assembly: Press-in |
| 1915932 | EMSTBVA 2,5/22-G-5,08 | Header, Nominal current: 12 A, Rated voltage (III/2): 320 V, Number of positions: 22, Pitch: 5.08 mm, Color: green, Assembly: Press-in |
| 1786378 | IC 2,5/22-ST-5,08 | Plug component, Nominal current: 12 A, Rated voltage (III/2): 320 V, Number of positions: 22, Pitch: 5.08 mm, Connection method: Screw connection, Color: green |
| 1824049 | ICC 2,5/22-STZ-5,08 | Plug component, Nominal current: 12 A, Rated voltage (III/2): 320 V, Number of positions: 22, Pitch: 5.08 mm, Connection method: Crimp connection, Color: green, Corresponding male crimp contacts with current [A] and conductor cross section range [mm ²] data: 10A/ICC-MT 0,5-1,0 (3190577); 10A/ICC-MT 0,5-1,0 BA (3190603); 12A/ICC-MT 1,5-2,5 (3190580); 12A/ICC-MT 1,5-2,5 BA (3190593). BA = Bandkontakte |
| 1759211 | MSTB 2,5/22-G-5,08 | Header, Nominal current: 12 A, Rated voltage (III/2): 320 V, Number of positions: 22, Pitch: 5.08 mm, Color: green, Assembly: Soldering |
| 1770915 | MSTB 2,5/22-G-5,08-LA | Header, Nominal current: 12 A, Rated voltage (III/2): 320 V, Number of positions: 22, Pitch: 5.08 mm, Color: green, Assembly: Soldering |
| 1757446 | MSTBA 2,5/22-G-5,08 | Header, Nominal current: 12 A, Rated voltage (III/2): 320 V, Number of positions: 22, Pitch: 5.08 mm, Color: green, Assembly: Soldering |
| 1768147 | MSTBA 2,5/22-G-5,08-LA | Header, Nominal current: 12 A, Rated voltage (III/2): 320 V, Number of positions: 22, Pitch: 5.08 mm, Color: green, Assembly: Soldering |
| 1758212 | MSTBV 2,5/22-G-5,08 | Header, Nominal current: 12 A, Rated voltage (III/2): 320 V, Number of positions: 22, Pitch: 5.08 mm, Color: green, Assembly: Soldering |
| 1755930 | MSTBVA 2,5/22-G-5,08 | Header, Nominal current: 12 A, Rated voltage (III/2): 320 V, Number of positions: 22, Pitch: 5.08 mm, Color: green, Assembly: Soldering |

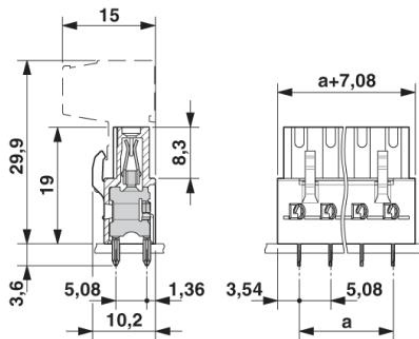
| | | |
|---------|----------------------|---|
| 1735688 | MSTBW 2,5/22-G-5,08 | Header, Nominal current: 12 A, Rated voltage (III/2): 320 V, Number of positions: 22, Pitch: 5.08 mm, Color: green, Assembly: Soldering |
| 1769667 | SMSTB 2,5/22-G-5,08 | Header, Nominal current: 12 A, Rated voltage (III/2): 320 V, Number of positions: 22, Pitch: 5.08 mm, Color: green, Assembly: Soldering |
| 1767575 | SMSTBA 2,5/22-G-5,08 | Header, Nominal current: 12 A, Rated voltage (III/2): 320 V, Number of positions: 22, Pitch: 5.08 mm, Color: green, Assembly: Soldering |

Diagrams/Drawings

Drilling plan/solder pad geometry



Dimensioned drawing



Address

PHOENIX CONTACT Inc., USA
586 Fulling Mill Road
Middletown, PA 17057, USA
Phone (800) 888-7388
Fax (717) 944-1625
<http://www.phoenixcon.com>



© 2011 Phoenix Contact
Technical modifications reserved;