

## MCD 0,5/ 5-G1-2,5 HT BK

Order No.: 1961177


The figure shows a 10-position version of the product



<http://eshop.phoenixcontact.de/phoenix/treeViewClick.do?UID=1961177>

Header, Nominal current: 4 A, Rated voltage (III/2): 160 V, Number of positions: 5, Pitch: 2.5 mm, Color: black, Assembly: SMD/THT/THR, Standard component made of highly temperature resistant plastic; suitable for reflow process. User information and design recommendations on Through Hole Reflow Technology can be found at: <http://www.combicon.com>

### Commercial data

|                          |  |
|--------------------------|--|
| GTIN (EAN)               | <br>4 017918 912482 |
| Note                     | Made-to-order  |
| sales group              | E170   |
| Pack                     | 50 pcs.  |
| Customs tariff           | 85366990   |
| Catalog page information | Page 79 (CC-2005)  |

### Product notes

WEEE/RoHS-compliant since:  
01/01/2003



<http://www.download.phoenixcontact.com>  
Please note that the data given here has been taken from the online catalog. For comprehensive information and data, please refer to the user documentation. The General Terms and Conditions of Use apply to Internet downloads.

### Technical data

#### Dimensions / positions

|        |         |
|--------|---------|
| Length | 17.5 mm |
| Height | 21.9 mm |

|                     |              |
|---------------------|--------------|
| Pitch               | 2.5 mm       |
| Dimension a         | 10 mm        |
| Number of positions | 5            |
| Pin dimensions      | 0,8 x 0,8 mm |
| Pin spacing         | 2.50 mm      |
| Hole diameter       | 1.4 mm       |

#### Technical data

|                                    |                   |
|------------------------------------|-------------------|
| Range of articles                  | MCD 0,5/...-G1-HT |
| Insulating material group          | IIIa              |
| Rated surge voltage (III/3)        | 1.5 kV            |
| Rated surge voltage (III/2)        | 2.5 kV            |
| Rated surge voltage (II/2)         | 2.5 kV            |
| Rated voltage (III/2)              | 160 V             |
| Rated voltage (II/2)               | 160 V             |
| Connection in acc. with standard   | EN-VDE            |
| Nominal current $I_N$              | 4 A               |
| Nominal voltage $U_N$              | 32 V              |
| Maximum load current               | 4 A               |
| Insulating material                | PA                |
| Inflammability class acc. to UL 94 | V0                |
| Color                              | Black             |

#### Certificates / Approvals



Certification CB, VDE-PZI

#### Accessories

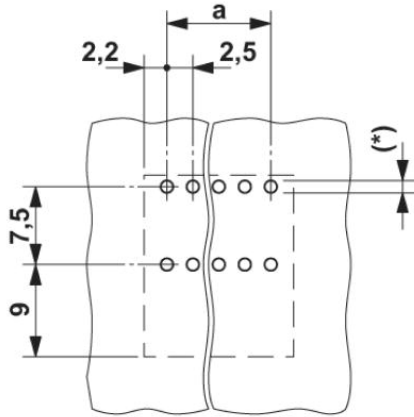
| Item    | Designation              | Description  |
|---------|--------------------------|--|
| 0804853 | SK 2,54/2,8:FORTL.ZAHLEN | Marker card, printed horizontally, self-adhesive, 10-section marker strip, 14 identical decades marked 1-10, 11-20 etc. up to 91-100, sufficient for 140 terminal blocks |

**Plug/Adapter**

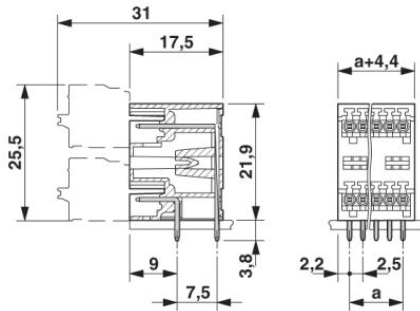
|         |           |  |
|---------|-----------|--|
| 1881435 | CP-MC 0,5 | Keying profile, is inserted into the groove in the header, red insulating material |
|---------|-----------|--|

**Diagrams/Drawings**

Drilling plan/solder pad geometry



Dimensioned drawing



**Address**

PHOENIX CONTACT Inc., USA  
586 Fulling Mill Road  
Middletown, PA 17057, USA  
Phone (800) 888-7388  
Fax (717) 944-1625  
<http://www.phoenixcon.com>



© 2011 Phoenix Contact  
Technical modifications reserved;