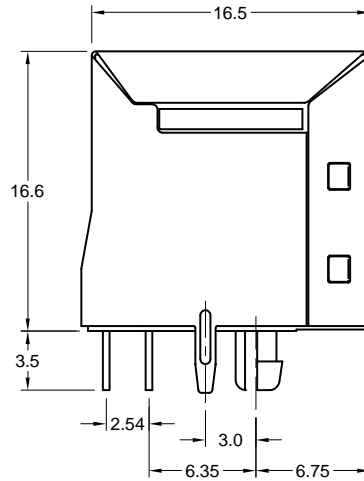
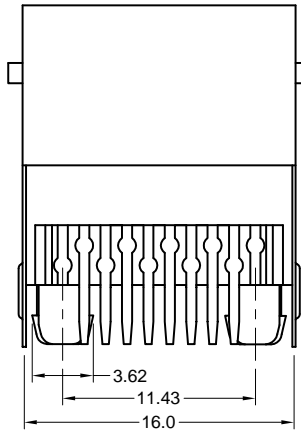


Recommended PCB Layout  
(Top View)

(Pins 1, 10 not shown in this view)



Part Number	Contact Area Plating Finish
GD-PAS-1010	15u" Gold (standard)
GD-PAS-1010-50	50u" Gold (50 option)

**GD-P Series**

**Materials and Finish**

Housing Material-  
PBT  
UL 94V-0 Rated  
Color: Black

Contact Material-  
Phosphor Bronze

Shield Material-  
Nickel Plated Phosphor Bronze

Contact Plating Options-  
Standard: 0.0001" Nickel  
Plating, Selective Plating  
0.000015" Gold on Contact  
Area, Tin/Lead on  
Termination End

50: 0.0001" Nickel Plating,  
Selective Plating 0.000050"  
Gold on Contact Area to  
Comply with FCC Requirements  
Under No. 47 C.F.R. Part 68,  
Subpart F, Tin/Lead on  
Termination End

**Electrical Characteristics**

Insulation Resistance-  
500 Megohms Min.

Dielectric Withstanding Voltage-  
1000V rms, 60Hz

Contact Resistance-  
20 milliohms Max.

Current Rating-  
1.5 Amps

Tolerances
X.X ± 0.25
X.XX ± 0.15
Unless Stated Otherwise

REVISION	DATE	DESCRIPTION	DRAWN BY	REV CHECK BY	UNITS
A2	8/26/02	per ECD #02-084	K. Wallace	T. Gokcek	mm
A3	10/25/02	per ECD #02-105	REVISED BY	REV CHECK DATE	DATE
B1	6/20/03	per ECD #03-013	C. Leiva	9/3/03	7/16/98

GD-PAS-1010

Perpendicular, PCB Mount Mod. Jack  
10 Position, 10 Contacts, Shielded, Panel Stops

