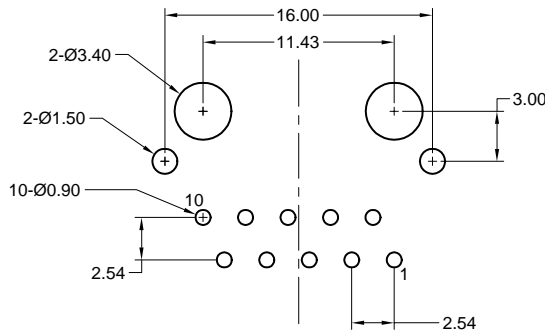
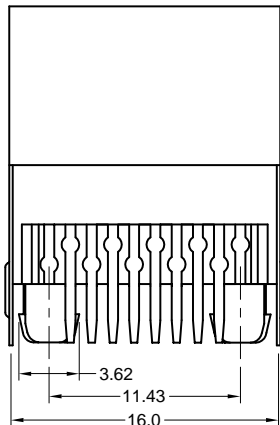
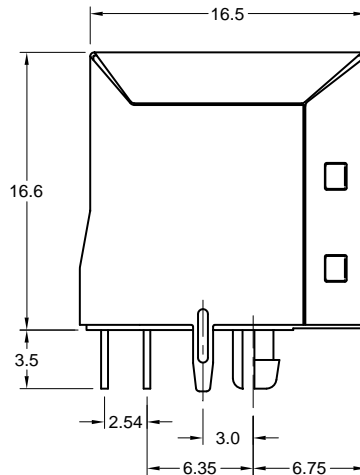


(Pins 1, 10 not shown in this view)



Recommended PCB Layout
(Top View)



Part Number	Contact Area Plating Finish
GD-PNS-1010	15u" Gold (standard)
GD-PNS-1010-50	50u" Gold (50 option)

GD-P Series

Materials and Finish

Housing Material-
PBT
UL 94V-0 Rated
Color: Black

Contact Material-
Phosphor Bronze

Shield Material-
Nickel Plated Phosphor Bronze

Contact Plating Options-
Standard: 0.0001" Nickel
Plating, Selective Plating
0.000015" Gold on Contact
Area, Tin/Lead on
Termination End

50: 0.0001" Nickel Plating,
Selective Plating 0.000050"
Gold on Contact Area to
Comply with FCC Requirements
Under No. 47 C.F.R. Part 68,
Subpart F, Tin/Lead on
Termination End

Electrical Characteristics

Insulation Resistance-
500 Megohms Min.

Dielectric Withstanding Voltage-
1000V rms, 60Hz

Contact Resistance-
20 milliohms Max.

Current Rating-
1.5 Amps

Tolerances
X.X ± 0.25
X.XX ± 0.15
Unless Stated Otherwise

REVISION	DATE	DESCRIPTION	DRAWN BY	REV CHECK BY	UNITS
D1	3/13/02	per ECD #01-205	K. Wallace	T. Gokcek	mm
D2	10/25/02	per ECD #02-105	REVISED BY	REV CHECK DATE	DATE
E1	6/20/03	per ECD #03-013	C. Leiva	9/3/03	7/6/98

GD-PNS-1010

Perpendicular, PCB Mount Mod. Jack

10 Position, 10 Contacts, Shielded

