

GL Series Right Angle Modular Jack

Features



0.570" Height

Snap-In Board Retention Tabs

Available in 4, 6, 8 and 10 Position Housings

UL Recognized File No. E134345

CSA/NRTL Certified File No. LR78160

Performance Specifications

Materials and Finish

Housing Material

PBT Thermoplastic, UL 94V-0 Rated, Gray Color

Contact Material

Phosphor Bronze

Plating Options

Designator	Plating Description
Standard	0.000015" Gold on Entire Contact, 0.0001" Nickel Underplating
50	0.000050" Gold on Entire Contact to Comply with FCC Requirements Under No. 47 C.F.R. Part 68 Subpart F

Electrical Characteristics

Insulation Resistance

500 Megohms Min

Dielectric Withstanding Voltage

1000V AC for 1 Minute

Contact Resistance

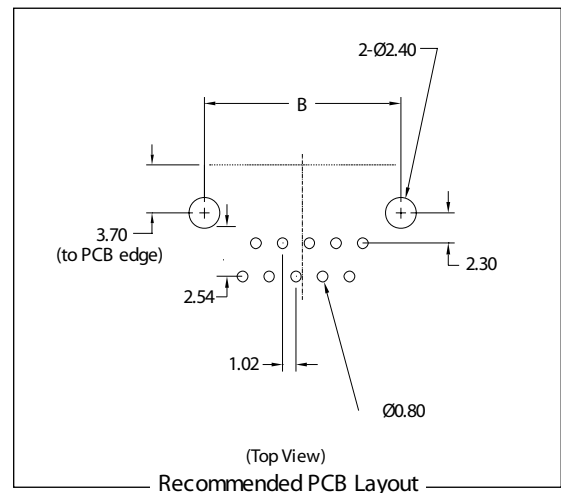
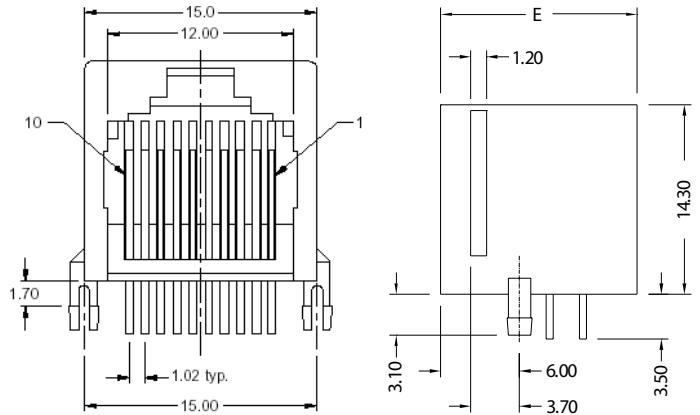
20 Milliohms Max

Current Rating

1.5 Amps

GL Series Dimensions

Dimensions in mm



Ordering Information

Part Number	No. of Positions	No. of Contacts	Panel Stops	A	B	D	E
GL-A-44	4	4	Yes	12.2	12.0	13.8	15.0
GL-N-44	4	4	No	12.2	12.0	—	15.0
GL-N-44M	4	4	No	10.0	10.0	—	13.0
GL-A-64	6	4	Yes	12.2	12.0	14.2	15.0
GL-N-64	6	4	No	12.2	12.0	—	15.0
GL-N-64M	6	4	No	12.2	12.0	—	13.0
GL-A-66	6	6	Yes	12.2	12.0	14.2	15.0
GL-N-66	6	6	No	12.2	12.0	—	15.0
GL-N-66M	6	6	No	12.2	12.0	—	13.0
GL-N-88M	8	8	No	15.1	15.0	—	13.0
GL-N-1010M	10	10	No	15.1	15.0	—	13.0