

## GM-SMT2 Series Surface Mount Modular Jack

### Features



- 0.45" Height
- Low Profile Design Suitable for PC Add-On Board Applications
- Available in 4, 6, 8, and 10 Position Housings
- Available Fully Shielded for EMI/RFI Protection
- CSA/NRTL Certified File No. LR78160

### Performance Specifications

#### Materials and Finish

##### Housing Material

High Temperature Thermoplastic, Reflow Compatible, UL94V-0 Rated, Black Color

##### Shield Material

Copper Alloy, Nickel Plated

##### Contact Material

Phosphor Bronze

### Electrical Characteristics

#### Insulation Resistance

500 Megohms Min

#### Dielectric Withstanding Voltage

1000V AC for 1 Minute

#### Contact Resistance

20 Milliohms Max

#### Current Rating

1.5 Amps

## MODULAR JACKS AND PLUGS

### GM-SMT2 Series

### Ordering Information

GM-SMT2	-	N	-	8	-	8	-	-
Series		Type		Size of Ports		Number of Contacts		Plating Options
								Package Options

#### Series

GM-SMT2 - Surface Mount Right Angle Modular Jack

#### Type

- N - Non-Shielded with Locking Posts
- S - Fully Shielded with Locking Posts
- S2 - Fully Shielded with Non-Locking Posts
- S6 - Fully Shielded with Top and Side Grounding Tabs, with Non-Locking Posts
- S7 - Fully Shielded with Top and Side Grounding Tabs, with Locking Posts

#### Size of Ports

- 4 - 4 Positions
- 6 - 6 Positions
- 8 - 8 Positions
- 10 - 10 Positions

#### Number of Contacts

- 4 - 4 Contacts
- 6 - 6 Contacts
- 8 - 8 Contacts
- 10 - 10 Contacts

#### Plating Options

Designator	Plating Description
Standard	Contacts are Plated with 0.0001 Nickel, Selective Plating 0.000015 Gold on Contact area
50	Contacts are Plated with 0.0001 Nickel, Selective Plating 0.000050 Gold on Contact area to Comply with FCC Requirements Under No. 47 C.F.R. Part 68 Subpart F

#### Package Options

- Blank - Bulk
- TR - Tape & Reel

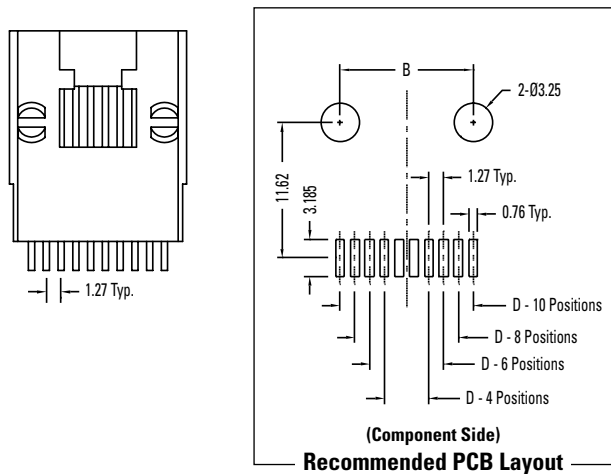
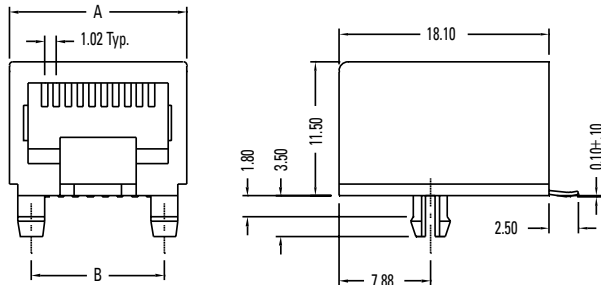
#### Available Options

Type	Position / Contacts				
	44	64	66	88	1010
N Non-Shield	•	•	•	•	•
S Shield		•	•	•	•
S2 Shield				•	•
S6 Shield				•	
S7 Shield				•	
T&R				•	•

**GM-SMT2 Series Dimensions**

Dimensions in mm

**GM-SMT2-N**

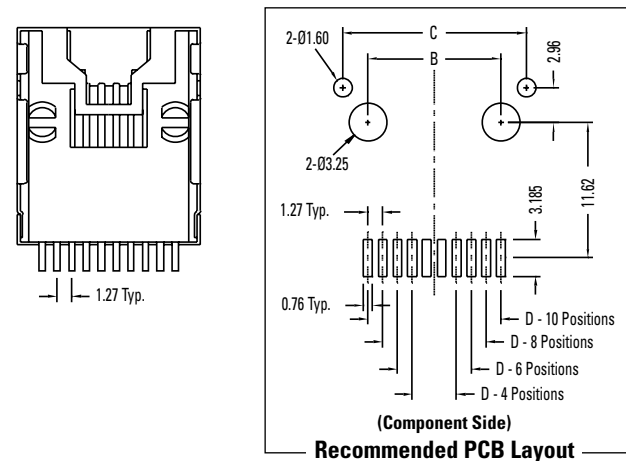
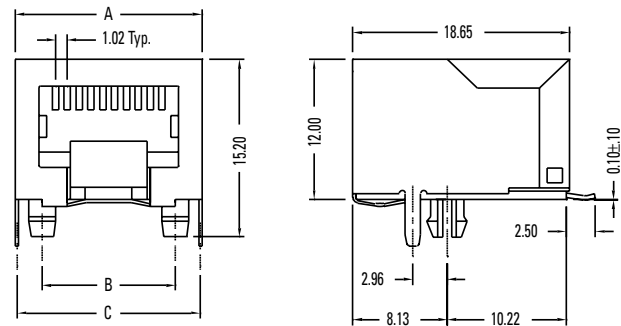


Part Number	Dimensions			
	A	B	C	D
GM-SMT2-N-44	11.21	7.62	-	3.81
GM-SMT2-N-64	12.96	10.16	-	3.81
GM-SMT2-N-66	12.96	10.16	-	6.35
GM-SMT2-N-88	15.03	11.43	-	8.89
GM-SMT2-N-1010	15.03	11.43		11.43

**GM-SMT2 Series Dimensions**

Dimensions in mm

**GM-SMT2-S**

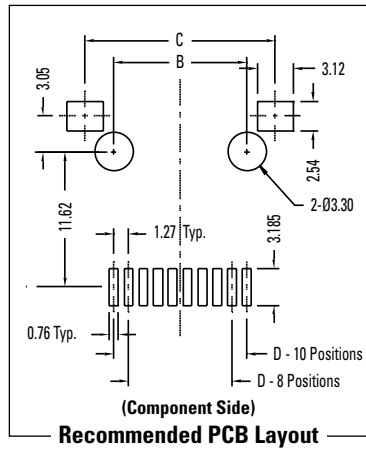
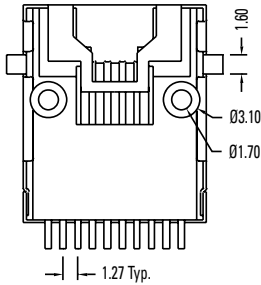
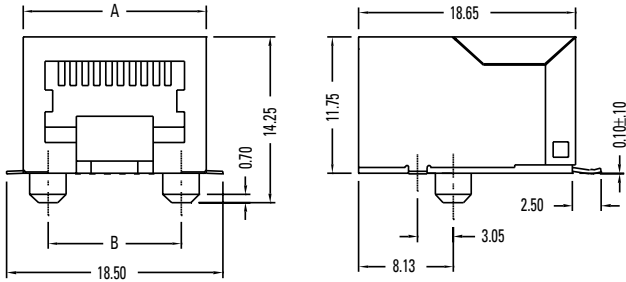


Part Number	Dimensions			
	A	B	C	D
GM-SMT2-S-64	13.70	10.16	13.50	3.81
GM-SMT2-S-66	13.70	10.16	13.50	6.35
GM-SMT2-S-88	15.74	11.43	15.54	8.89
GM-SMT2-S-1010	15.74	11.43	15.54	11.43

## GM-SMT2 Series Dimensions

Dimensions in mm

### GM-SMT2-S2



Part Number	Dimensions			
	A	B	C	D
GM-SMT2-S2-88	15.74	11.43	16.35	8.89
GM-SMT2-S2-1010	15.74	11.43	16.35	11.43

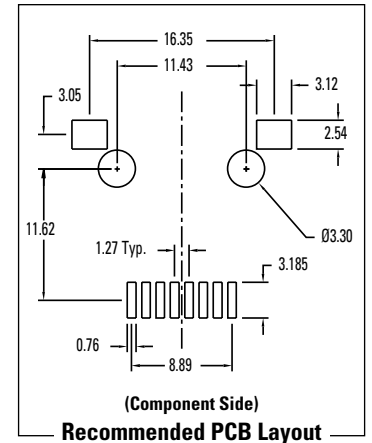
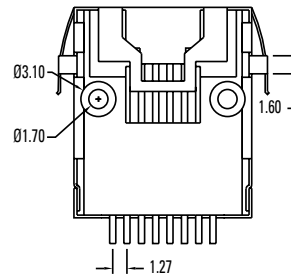
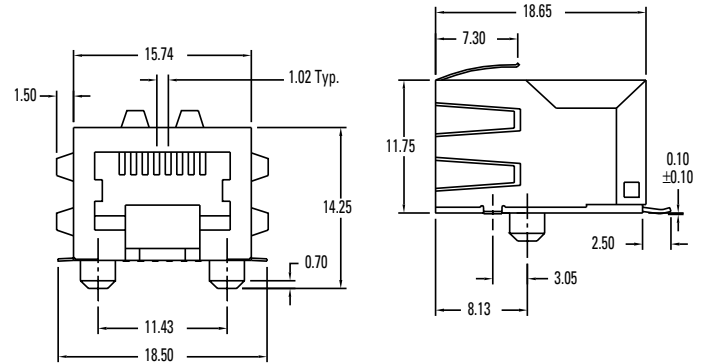
## MODULAR JACKS AND PLUGS

### GM-SMT2 Series

## GM-SMT2 Series Dimensions

Dimensions in mm

### GM-SMT2-S6



**GM-SMT2 Series Dimensions**

Dimensions in mm

**GM-SMT2-S7**

