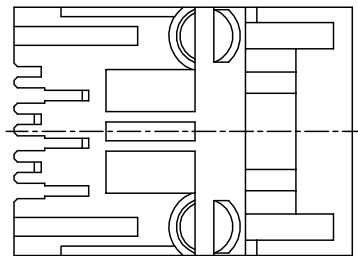
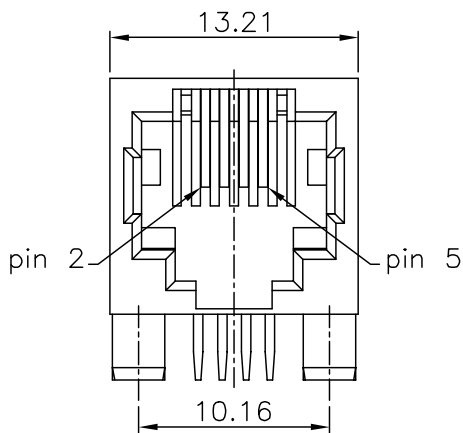
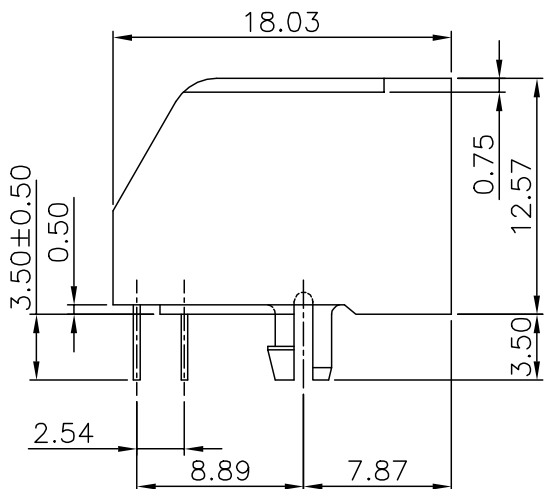
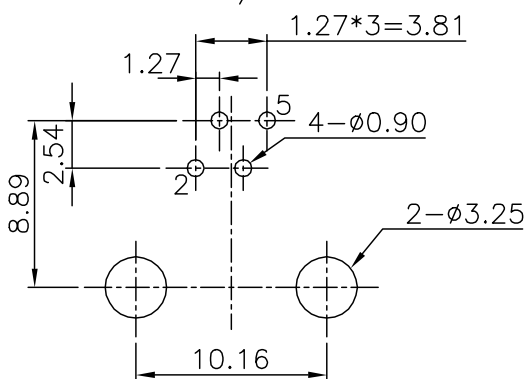


KYCON Inc. 1810 Little Orchard Street, San Jose, CA 95125 (408) 494-0330



PCB LAYOUT/TOP VIEW



**Materials and Finish**

Housing Material-  
PBT Thermoplastic  
UL 94V-0 Rated  
Color: Black

Contact Material-  
Phosphor Bronze

Contact Plating Options-  
Standard: 0.0001" Nickel  
Plating, Selective Plating  
0.000015" Gold on Contact  
Area

50: 0.0001" Nickel Plating,  
Selective Plating 0.000050"  
Gold on Contact Area to  
Comply with FCC Requirements  
Under No. 47 C.F.R. Part 68,  
Subpart F

**Electrical Characteristics**

Insulation Resistance-  
500 Megohms Min.

Dielectric Withstanding Voltage-  
1000V rms, 60Hz

Contact Resistance-  
20 milliohms Max.

Current Rating-  
1.5 Amps

Part Number	t_gold
GDL-N-64	Flash
GDL-N-64-50	50u"

CSA NRTL/C Certified File No. LR78160

REVISION	DATE	DESCRIPTION	DRAWN BY	DESIGNED BY	UNITS
A0	11/29/00	New Drawing	K. Wallace		mm
B0	11/30/00	ECO #00-206	CHECKED BY	APPROVED BY	DATE
					11/29/00

GDL-N-64

Modular Jack, Right angle  
6 Pos, 4 Contacts, non-shielded

