

GA/GP Series Gang Jacks Right Angle and Perpendicular PCB Mount

Features



- Available in 6 and 8 Position Housings
- Available in Both Right Angle and Top Entry Versions
- Ribbed Pin Guides
- Metal Locking Brackets
- UL Recognized File No. E134345
- CSA/NRTL Certified File No. LR78160

Performance Specifications

Materials and Finish

Housing Material

PBT Thermoplastic, UL 94V-0 Rated, Gray Color

Contact Material

Phosphor Bronze

Electrical Characteristics

Insulation Resistance

500 Megohms Min

Dielectric Withstanding Voltage

1000V AC for 1 Minute

Contact Resistance

20 Milliohms Max

Current Rating

1.5 Amps

MODULAR JACKS AND PLUGS

GA / GP Series

Ordering Information

GA	-	4	-	6	-	4	-	
Series		Number of Ports		Size of Ports		Number of Contacts		Plating Options

Series

GA-Right Angle P.C.B. Mount

GP-Perpendicular P.C.B. Mount

Number of Ports

2, 3, 4, 5, 6, 7, 8

Size of Ports

6-6 Positions (Up to 8 Ports Maximum)

8-8 Positions (Up to 4 Ports Maximum)

Number of Contacts

2-2 Contacts

4-4 Contacts

6-6 Contacts

8-8 Contacts

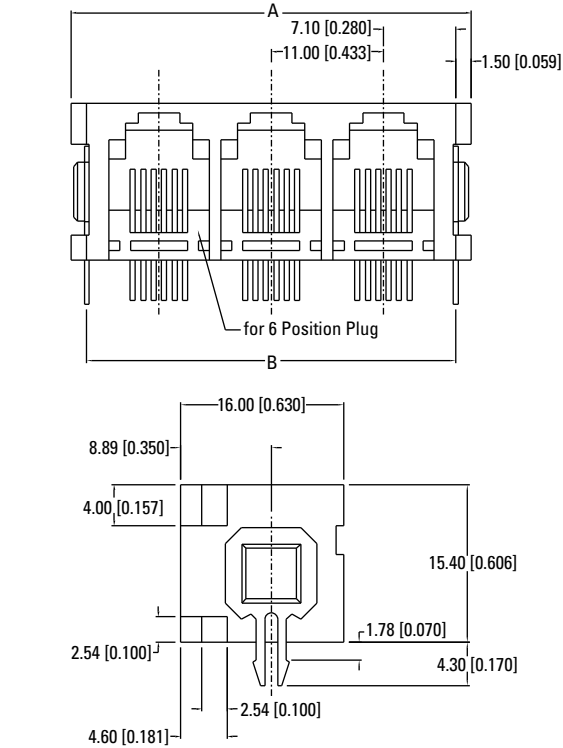
Plating Options

Designator	Plating Description
Standard	Contacts are Plated with 0.0001 Nickel, Selective Plating 0.000015 Gold on Contact Area
50	Contacts are Plated with 0.0001 Nickel, Selective Plating 0.000050 Gold on Contact Area to Comply with FCC Requirements Under #47 C.F.R. Part 68 Subpart F

GA Series Dimensions

(6 Position)

Dimensions in mm [In]



Recommended PCB Layout

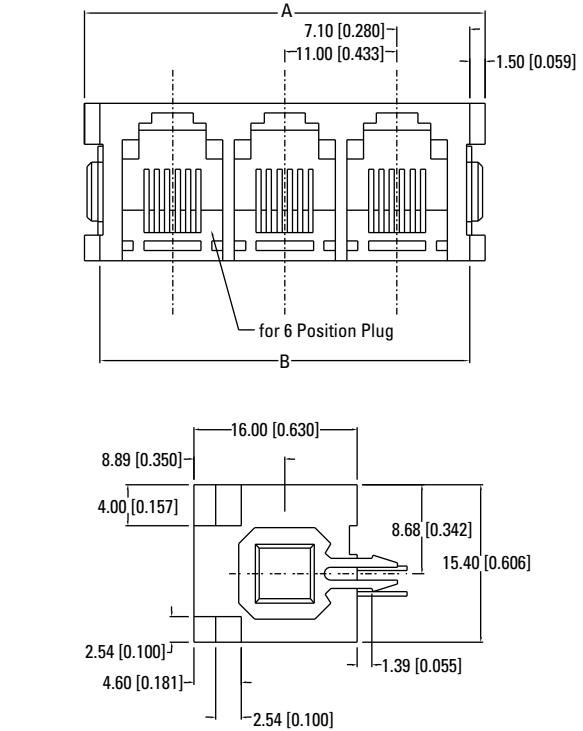
In
mm

Dimensions	Number of Ports						
	2	3	4	5	6	7	8
A	1.110 28.20	1.543 39.20	1.976 50.20	2.410 61.20	2.843 72.20	3.275 83.20	3.710 94.20
B	0.984 25.00	1.417 36.00	1.850 47.00	2.283 58.00	2.717 69.00	3.150 80.00	3.583 91.00

GP Series Dimensions

(6 Position)

Dimensions in mm [In]



Recommended PCB Layout

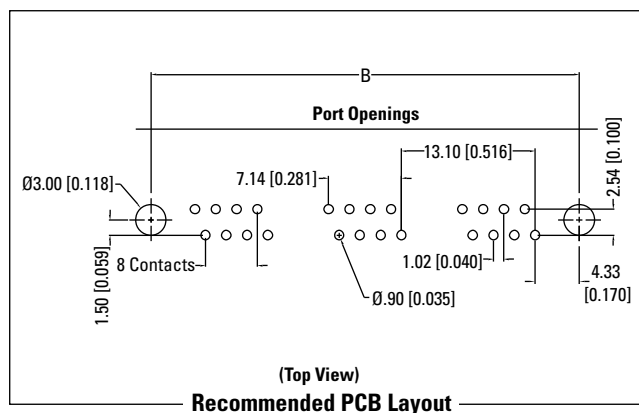
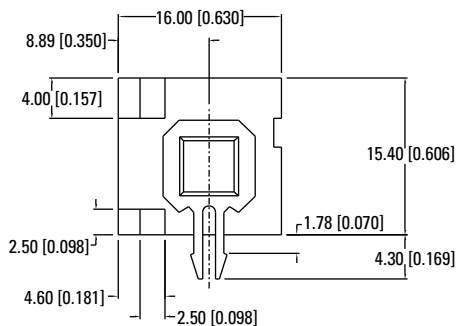
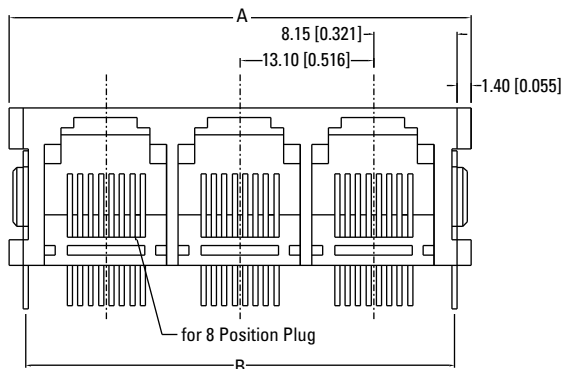
In
mm

Dimensions	Number of Ports						
	2	3	4	5	6	7	8
A	1.110 28.20	1.543 39.20	1.976 50.20	2.410 61.20	2.843 72.20	3.275 83.20	3.710 94.20
B	0.984 25.00	1.417 36.00	1.850 47.00	2.283 58.00	2.717 69.00	3.150 80.00	3.583 91.00

GA Series Dimensions

(8 Position)

Dimensions in mm [In]



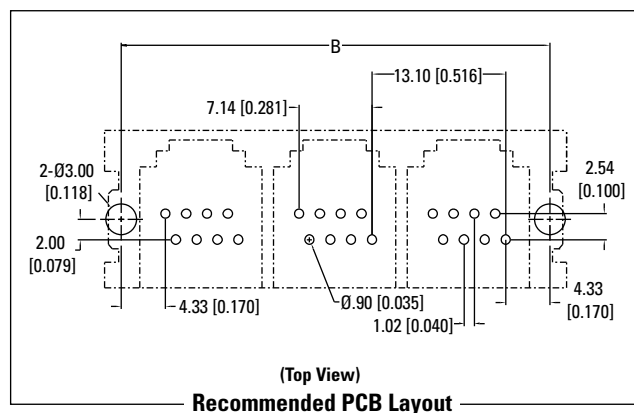
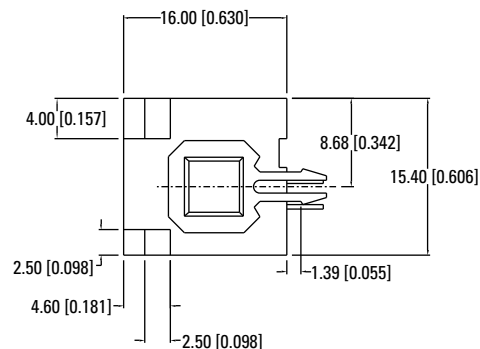
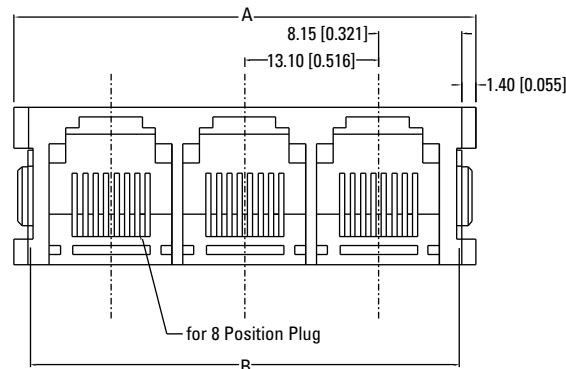
In
mm

Dimensions	Number of Ports		
	2	3	4
A	1.272 32.30	1.783 45.30	2.303 58.50
B	1.138 28.90	1.654 42.00	2.169 55.10

GP Series Dimensions

(8 Position)

Dimensions in mm [In]



In
mm

Dimensions	Number of Ports		
	2	3	4
A	1.272 32.30	1.783 45.30	2.303 58.50
B	1.138 28.90	1.654 42.00	2.169 55.10