

4

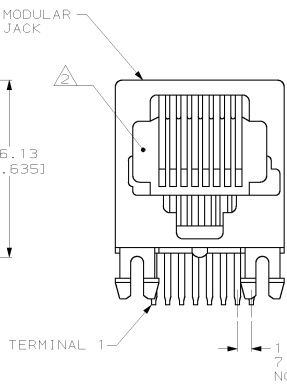
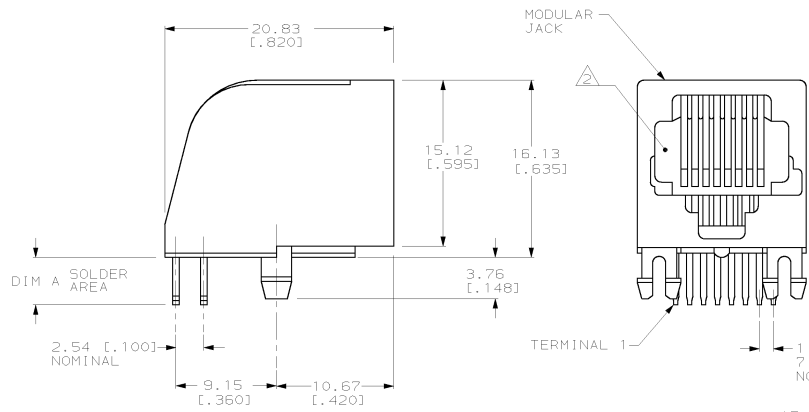
3

2

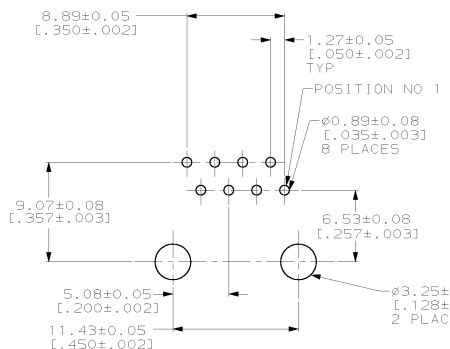
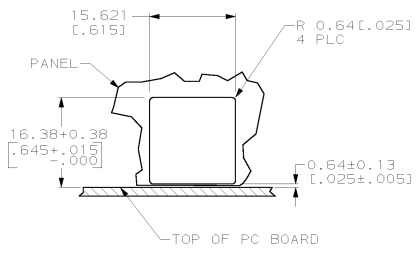
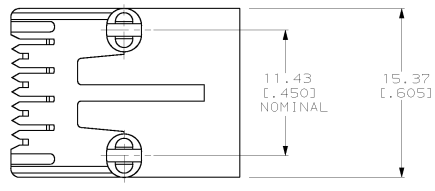
1

THIS DRAWING IS UNPUBLISHED.  
 RELEASED FOR PUBLICATION  
 BY AMP INCORPORATED. ALL RIGHTS RESERVED.

LOC	QTY	REV	DATE	BY	APP'D
AA	22	F	LTR		
		P	REVISED PER EC 0UF0-0129-01	24SEP01	DLJ/LLV



- ⚠ MATERIAL: HOUSING - PBT POLYESTER. TERMINAL - 0.35 [0.138] THICK PHOS-BRONZE PLATED WITH 1.27μm [0.00050] THICK HARD GOLD IN LOCALIZED GOLD PLATE AREA AND 2.03μm [0.00080] THICK TIN-LEAD IN SOLDER AREA OVER 1.27μm [0.00050] THICK NICKEL UNDERPLATE.
- ⚠ CAVITY CONFORMS TO FCC RULES AND REGULATIONS PART 68, SUBPART F.
- 3. ALL DIMENSIONS SHOWN ARE MAXIMUM UNLESS OTHERWISE SPECIFIED.
- ⚠ BULK PACKAGED IN A TRAY.



DIM A	HSG COLOR	PACKAGED	CONTACTS	PART NUMBER
2.41 [0.095]	BLACK	⚠	8	520426-8
3.05 [0.120]	BLACK	⚠	8	520426-7
4.32 [0.170]	DEC GRAY	⚠	8	520426-6
4.32 [0.170]	BLACK	⚠	8	520426-4

SUPERSEDED BY 520426-8

THIS DRAWING IS UNPUBLISHED. RELEASED FOR PUBLICATION BY AMP INCORPORATED. ALL RIGHTS RESERVED.		DSN: L. MUSTAR/UTA 8-3-92 CDR: N. JONES 8-18-92 DATE: 8-25-92 TITLE: AMP LAUNDER PRODUCT SPEC: 108-1163 APPLICATION SPEC: 114-2048 RETWORK: - CUSTOMER DRAWING	AMP Incorporated Harrisburg, PA 17105-3608 <b>AMP</b> PRINTED CIRCUIT BOARD MODULAR JACK ASSEMBLY, SIDE ENTRY, 8 POSITION, FLANGELESS, WITHOUT PANEL STOPS. SIZE: A2 CASE CODE: 00779 QUANTITY: C=520426 SCALE: 4:1 SHEET: 1 OF 1 REV: P
DIMENSIONS: mm (INCHES) UNLESS OTHERWISE SPECIFIED: 0 PLC: ++ 1 PLC: +- 2 PLC: -- 3 PLC: -+ 4 PLC: +- 5 PLC: -- 6 PLC: -+ 7 PLC: +- 8 PLC: -- 9 PLC: -+ 10 PLC: +- 11 PLC: -- 12 PLC: -+	DIMENSIONS: mm (INCHES) UNLESS OTHERWISE SPECIFIED: 0 PLC: ++ 1 PLC: +- 2 PLC: -- 3 PLC: -+ 4 PLC: +- 5 PLC: -- 6 PLC: -+ 7 PLC: +- 8 PLC: -- 9 PLC: -+ 10 PLC: +- 11 PLC: -- 12 PLC: -+		

SUGGESTED PRINTED CIRCUIT BOARD LAYOUT CIRCUIT SIDE

AMP 1471-9 REV 03/94/94  
 17-JAN-02 12:16:30 amp36051 /note/amp36051/redmod

520426