

DRAWING MADE IN THIRD ANGLE PROJECTION

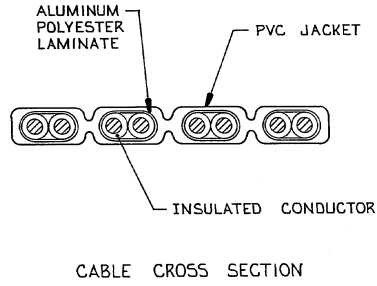
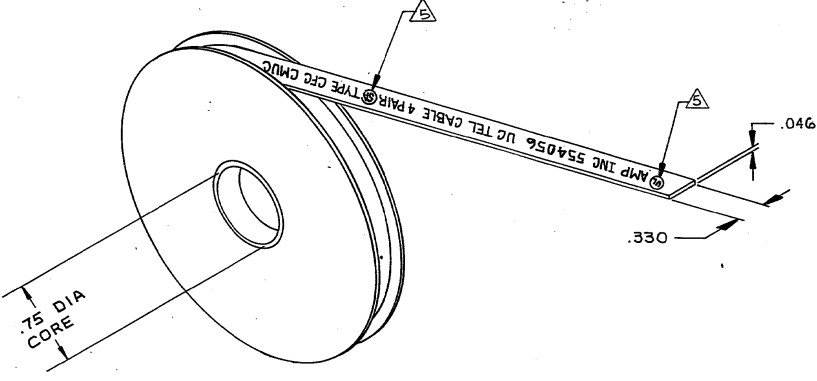
THIS DRAWING IS UNPUBLISHED. RELEASED FOR PUBLICATION

© COPYRIGHT 19 BY AMP INCORPORATED, HARRISBURG, PA. ALL INTERNATIONAL RIGHTS RESERVED. AMP PRODUCTS MAY BE COVERED BY U.S. AND FOREIGN PATENTS AND/OR PATENTS PENDING.

LOC DIST
AA 25

REVISIONS				
P	F	ZONE	DESCRIPTION	DATE APPROVED
K		K	REVISED ECN AA-6576	3-23-90 LHM/AM

- CABLE CONFORMS TO AMP PRODUCT SPECIFICATION 108-6047.
- ALL DIMENSIONS SHOWN ARE MAXIMUM UNLESS OTHERWISE SPECIFIED.
 ⚠ MATERIAL: GRAY POLYVINYLCHLORIDE, PVC, JACKET OVER (SEE TABLE), 26 AWG SOLID COPPER CONDUCTORS. CONDUCTOR PAIRS WRAPPED IN ALUMINUM-POLYESTER LAMINATE.
- CABLE COLOR CODE:
 PAIR 1 WHITE/BLUE - BLUE
 PAIR 2 WHITE/ORANGE - ORANGE
 PAIR 3 WHITE/GREEN - GREEN
 PAIR 4 WHITE/BROWN - BROWN
- UL AND CSA LISTED.
- PERFORMANCE CHARACTERISTICS:
 CAPACITANCE: 58.6 pF/FT TYP
 CHARACTERISTIC IMPEDANCE: 50 OHMS ± 5%
 CONDUCTOR RESISTANCE: 45 MILLIOHMS/FT
 PROPAGATION DELAY: 2.02 ns/FT MAX.
 RISE-TIME DEGRADATION: 190 ns (10% - 90% LEVEL) @ 100 FT CABLE
 ATTENUATION: .8dB/100 FT TYP @ 100 KHz
 3 dB/100 FT TYP @ 1 MHz
 11 dB/100 FT TYP @ 10 MHz
 30 dB/100 FT TYP @ 100 MHz
 DIGITAL CROSSTALK: < 4.5%
 NEAR-END CROSSTALK: -99dB MAX. @ 1 KHz, UP TO 100 FT
 LONGITUDINAL BALANCE: 76 dB MIN FROM (METALIC-TO-LONG) 100 Hz TO 4 KHz
- FOR ADDITIONAL INFORMATION SEE INSTRUCTION SHEETS 3113 & 3125.



SUPERSEDED BY -6	POLYPROPYLENE	NO	152.4	500	-6
SUPERSEDED BY -5	INSULATION MATERIAL	UL LISTED	76.2	250	5
			152.4	500	-3
			76.2	250	554056-2
			METERS PER ROLL	FEET PER ROLL	PART NO
UNLESS OTHERWISE SPECIFIED DIMENSIONS ARE IN INCHES. TOLERANCES ON: DECIMALS ± ANGLES ±	CONTRACT NO	AMP INCORPORATED Harrisburg, Pa. 17105			
MATERIAL	DR B. Anthony 2-18-83 CHK MDiel 2-21-83	NAME			
FINISH	APPD C. Schlyman 2/22/83 APPD W. Smith 4/83 DSGN APPD	CABLE, TELEPHONE, SOLID CONDUCTOR, 26 AWG, 4 PAIR			
	OTHER APPD	SIZE C	FSCM NO 00779	DRAWING NO 554056	
		SCALE NONE			SHEET 1 OF 1

CUSTOMER DRAWING