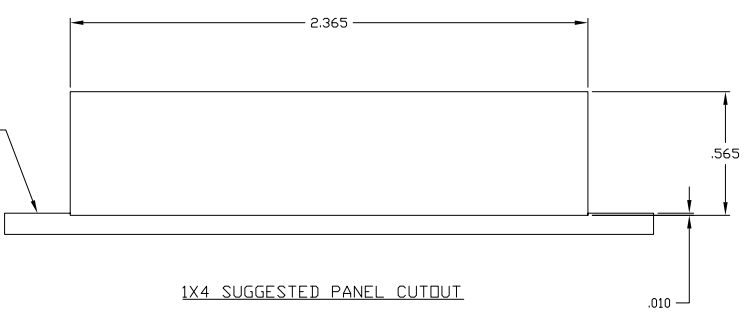
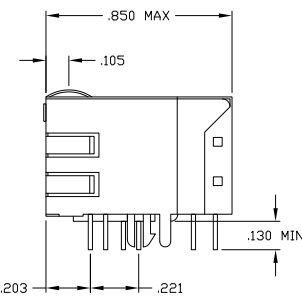
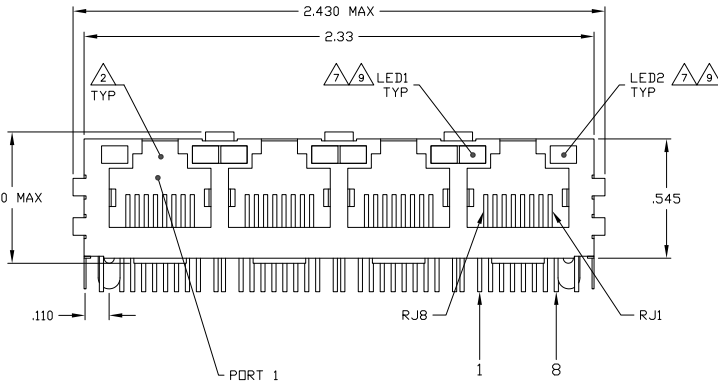
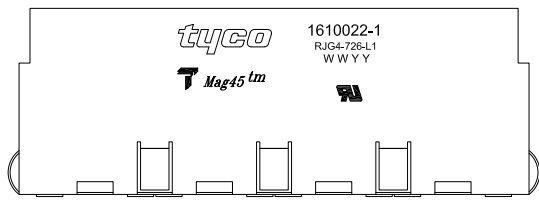


THIS DRAWING IS UNPUBLISHED. ALL RIGHTS RESERVED.
 BY TFC ELECTRONICS CORPORATION

REV	DATE	DESCRIPTION	BY	CHK	APP
AA	22				
B		REVISED PER EC 0515-0344-02			118FP2002/DLD/ECL
B1		REVISED PER ECD-09-024606			280CT09 KK/AEG



1X4 SUGGESTED PANEL CUTOUT

RJ45-726-C	6-1610022-1	
RJ45-726-L1	1610022-1	OBsolete
TRANSPOWER P/N	TYCO P/N	
CROSS REFERENCE		

- NOTES:
- 1 MATERIALS:
 - HOUSING - THERMOPLASTIC PET POLYESTER FLAMMABILITY RATING UL 94V-0.
 - SHIELD - .012" THICK C26800 BRASS PREPLATED WITH 80-150µIN SEMI-BRIGHT NICKEL, POST-DIPPED WITH 150µIN MIN TIN LEAD.
 - MOD JACK CONTACTS - .012" X .018" PHOSPHOR BRONZE, 50µIN MIN OVERALL NICKEL UNDERPLATE, WITH SELECT 50µIN MIN HARD GOLD FINISH PLATE.
 - SOLDER TAILS WITH 50µIN MIN NICKEL PLATE.
 - LIGHT EMITTING DIODE(LED) - DIFFUSED EPOXY LENS, .020" X .020" CARBON STEEL WIREFRAME LEADS PREPLATED WITH 50µIN SILVER OVER 40µIN NICKEL UNDERPLATE OVER 80µIN COPPER UNDERPLATE. POST - PLATED WITH 300µIN MIN THICK TIN-LEAD.
 - 2 RJ45 JACK CAVITY CONFORMS TO FCC RULES AND REGULATIONS PART 68, SUB PART F.
 - 3 MAGNETICS:
 - IMPEDANCE: 100 OHMS.
 - TRANSMIT OPEN CIRCUIT INDUCTANCE (OCL): 350µH (MIN) @100KHZ, 0.1VRMS WITH 8 mA DC BIAS.
 - RISE TIME: 2.5 NANO-SECONDS FROM 10 TO 90 PERCENT.
 - TURNS RATIO (CHIP: CABLE): TX: 11, RX: 11.
 - PERFORMANCE:
 - TRANSMIT RJ1 & 2.
 - RECEIVE RJ3 & 6.
 - INSERTION LOSS: FREQUENCY: 100 KHZ TO 100 MHZ, TX/RX: -11 DB (MAX)
 - RETURN LOSS: FREQUENCY: 1 MHZ TO 60 MHZ, TX/RX: -18.0 DB (MIN)
 - FREQUENCY: 60 MHZ TO 80 MHZ, TX/RX: -15.0 DB (MIN)
 - FREQUENCY: 80 MHZ TO 100 MHZ, TX/RX: -12.0 DB (MIN)
 - CROSSTALK NEXT (TX TO RX) 35.0 DB (MIN) @100MHZ.
 - TX CMRR: FREQUENCY: 100KHZ TO 100 MHZ, 42.0 DB (MIN).
 - RX CMRR: FREQUENCY: 100KHZ TO 100 MHZ, 33.0 DB (MIN).
 - HIPOT (ISOLATION VOLTAGE):
 - 1500 VAC (0.5mA CUTOFF CURRENT) FOR 60 SECOND DURATION FOR NON DECOUPLING CAPACITOR VERSION.
 - 2250 VDC (1mA CUTOFF CURRENT) FOR 60 SECOND DURATION FOR DECOUPLING CAPACITOR VERSION.
 - ALL BRIDGED ON EITHER SIDE OF MAGNETICS PACKAGE FOR RJ-45 CONTACTS.
 - OPERATING TEMPERATURE: FROM 0°C TO +70°C.
 - 4 C15 IS AN OPTIONAL 1000µF, 2KV DECOUPLING CAPACITOR. IF NO CAPACITOR, TRACE IS CONTINUOUS.
 - 5 ALL DIMENSIONS NOMINAL UNLESS OTHERWISE NOTED.
 - 6 RI-RA = 75 OHMS, 1/16W, 5K.
 - 7 LED COMPLIANT WITH IEC60825-1 SAFETY OF LASER PRODUCTS, WHEN OPERATED UP TO 20 mA. THE 250 OHM RESISTOR IS INCLUDED.
 - 8 INDICATED CONNECTIONS ARE FOR NC CONFIGURATION. HOWEVER, THE MAGNETICS ARE SYMMETRICAL TO ACCOMMODATE CONNECTION FOR EITHER NC OR HUB CONFIGURATION OR AUTO-MD/MDX.
 - 9 GREEN LED PEAK WAVELENGTH: 565nm.
 - 10 OBSOLETE PARTS: OBSOLETE CIS STREAMLINING PER D.RENAUD/D.SINISI

YES	GREEN	GREEN	6-1610022-1
NO	GREEN	YELLOW	1610022-1
DECOUPLING CAPACITOR	LED1	LED2	PART NUMBER

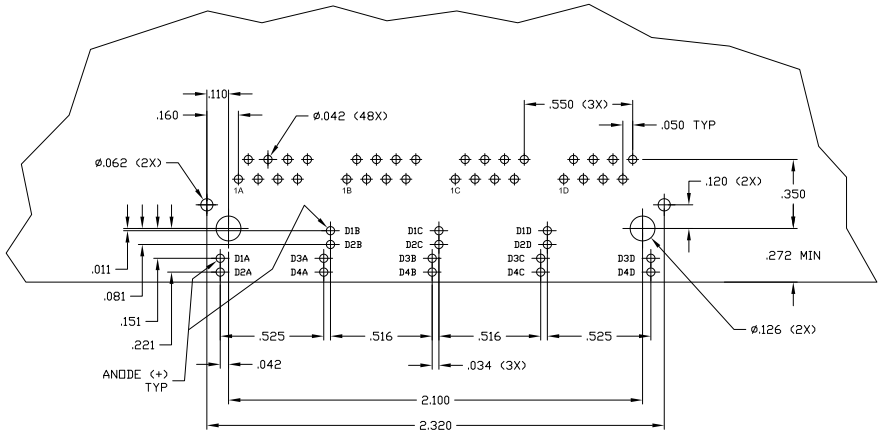
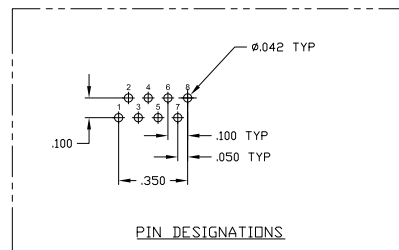
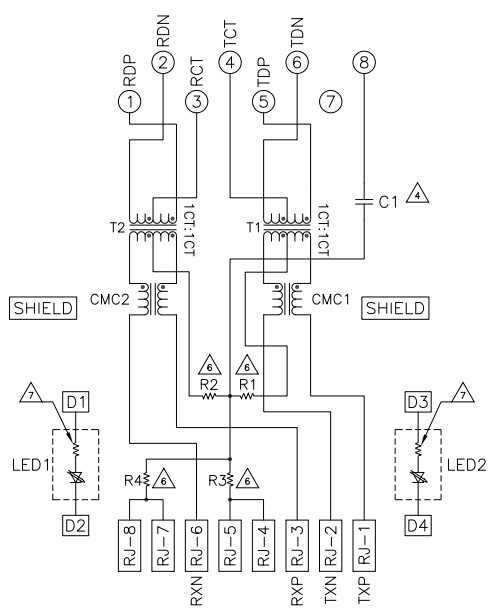
THIS DRAWING IS A CONTROLLED DOCUMENT.		DATE	REV	DESCRIPTION
DATE	REV	DESCRIPTION	DATE	REV
108-2100			1610022	
CUSTOMER DRAWING		DATE	REV	DESCRIPTION
100779		1610022		

13JAN2002 12:55am AMP36051 H:\edms\1610022-1s.dwg

THIS DRAWING IS UNPUBLISHED. ALL RIGHTS RESERVED.
 © 2008 Tyco Electronics Corporation. ALL RIGHTS RESERVED.

REV	DATE	DESCRIPTION	BY	APP'D
AA	22	SEE SHEET 1	-	-

726 SERIES MAGNETIC CIRCUIT



SUGGESTED PCB LAYOUT
(Component Side)

THIS DRAWING IS A CONTROLLED DOCUMENT.		ENC. RESISTANT	15410022	Tyco Electronics Corporation Harrisburg, PA 17105-3608
ENC. VESTAL		ENC. VESTAL	108-2100	
DESIGNER	108-2100	DATE	108-2100	144 MAG45(TM) MODULAR JACK, 7N2 SCHEMATIC, 26 SERIES CIRCUIT, OPTIONAL DECOUPLING CAPACITOR, SHIELDED, WITH RESISTOR LEADS
DATE	108-2100	REV	1	
CUSTOMER DRAWING	A100779	SCALE	4:1	REV