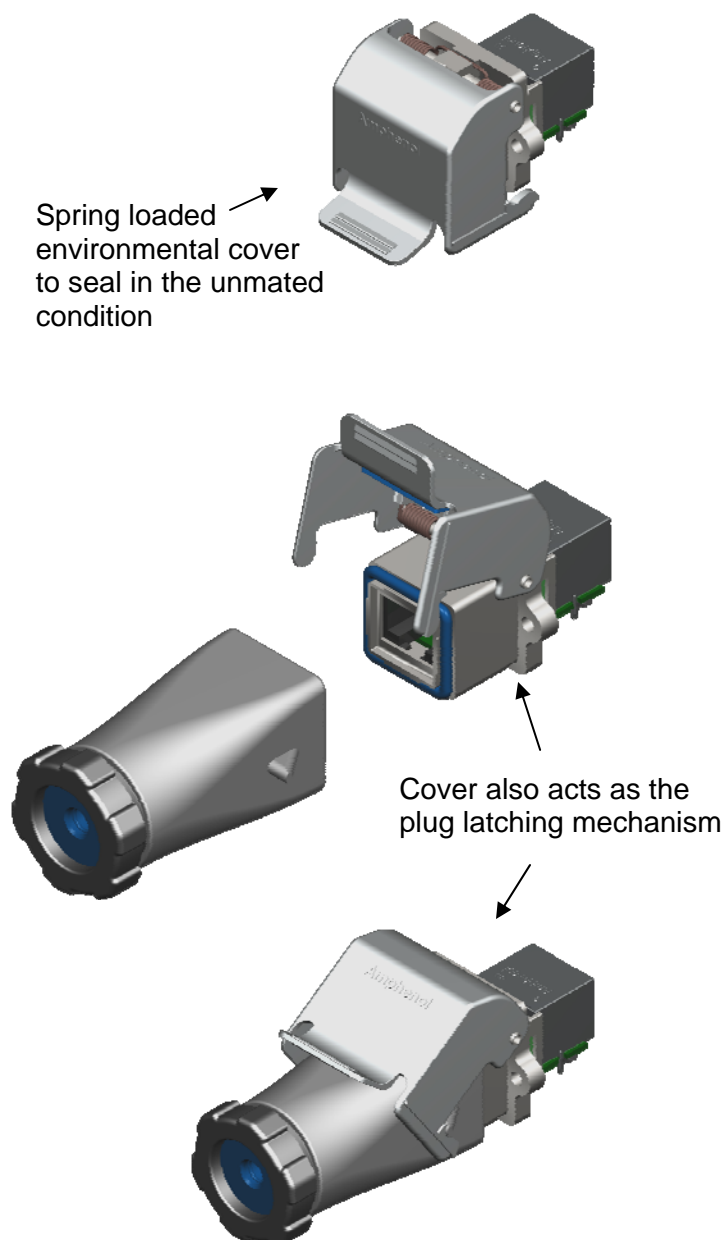


Rugged Industrial / Military

RJ, USB, Power, Fiber Optic & RF Connectors

ID75



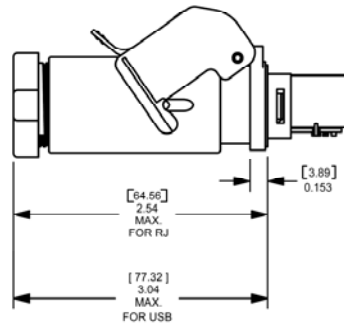
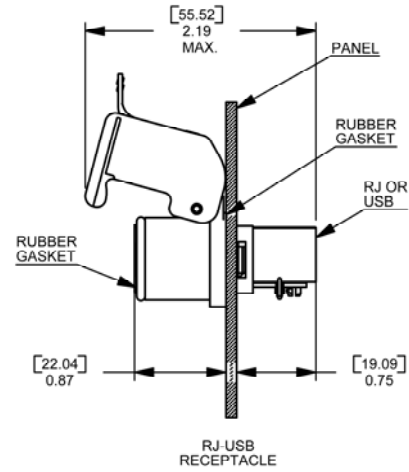
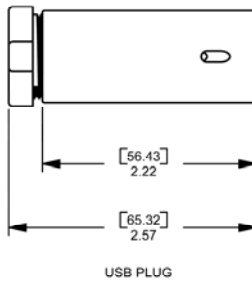
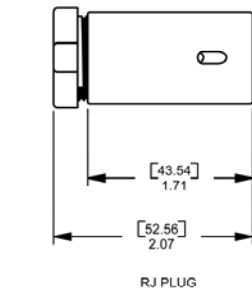
Features:

- Built-in spring loaded dust cover that provides environmental protection in the unmated condition
- Dust cover acts additionally as a positive latching mechanism with the mating plug
- **Metal die cast housing** for best EMI protection and extra robustness (nickel or olive drab finish)
- Available with RJ, USB, 4 pin power, Fiber Optic & RF connector configurations
- Easy field termination with **no special tools required**
- Plug accommodates **standard RJ45 cordset**
- Receptacle accommodates different termination styles
- **IP67 compliant**
- Operating temperature from -40°C to $+105^{\circ}\text{C}$
- All materials to UL94 V0
- Connectors supplied with silicone rubber **panel gasket and stainless steel mounting screws**

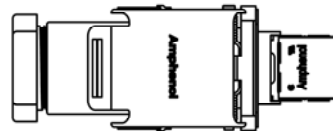
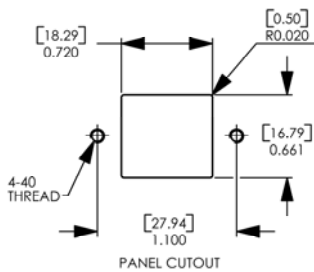
Amphenol
Harsh Environment Connectors

Tel: 416-754-5697
Email: connect.sales@tmantennas.com

Fax: 416-754-5709
www.amphenol-rugged.com



Panel Cutout



Ordering

ID750-000

Style:

- 7= Plug & Receptacle
- 4= Receptacle
- 5= Plug (RJ or Power)
- 6= Plug (USB, Fiber Optic or RF)

Interface:

- 0= RJ45 (Ethernet)
- 1= USB
- 2= Power
- 3= Fiber Optic
- 5= RF

Amphenol
Harsh Environment Connectors

Tel: 416-754-5697
Email: connect.sales@tmantennas.com

Fax: 416-754-5709
www.amphenol-rugged.com