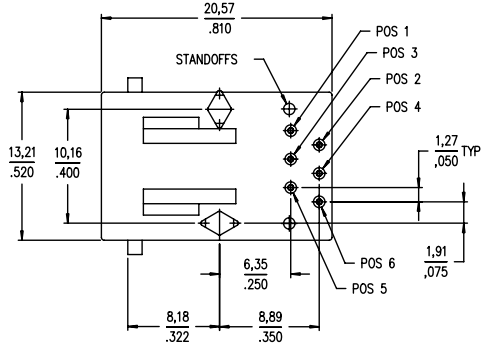
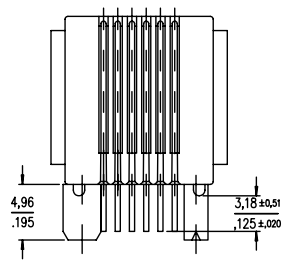
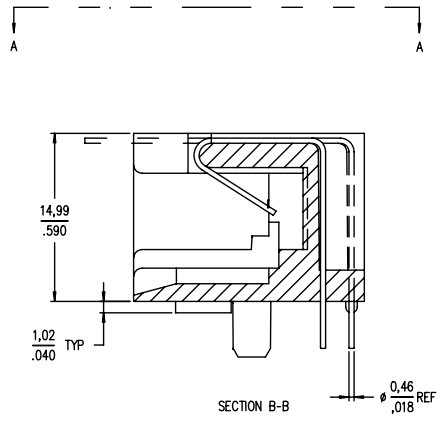
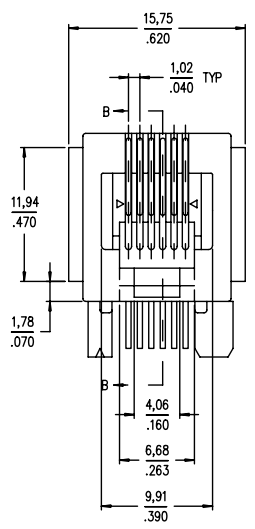


Tous droits strictement réservés. Reproduction ou communication a des tiers interdite sans autorisation écrite de l'ingénieur en chef. Propriété de FCJ ELECTRONICS. Droits de reproduction FCJ ELECTRONICS INC.

All rights strictly reserved. Reproduction or issue to third parties in any form without the prior written authority of the chief engineer. Property of FCJ ELECTRONICS copyright FCJ ELECTRONICS INC.



PRODUCT NO.
SEE TABLE



mat'l code		tolerance unless otherwise specified		CUSTOMER COPY		FCJ		www.fcjconnect.com		
rev.	ecn no.	dr	date	linear	projection	title				
M	S80281	BC	L 05/09/98	xx ±.3/xx ±.00	1st angle	6 POS HORIZONTAL				
N	V81245	BC	L 12/18/98	xx ±.3/xx ±.00	1st angle	P.C.B. MOD JACK ASSY				
P	S90087	BC	L 05/19/99	xx ±.3/xx ±.00	1st angle	product family		code		
R	S00022	BC	L 01/28/00	angles ± 2°	1st angle	size		TWN		
S	N05-0002	YS	01/07/05	enqr	TONY CHIEN	D1/26/00	mm/inch	sheet		
T	N06-0130	LC	NG 5/15/06	chr	TONY CHIEN	D1/26/00	scale	1 OF 2		
U	N08-0097	SH	5/15/06	pppd	JENN TSAO	D1/26/00	1/1	68898		
sheet	revision	T	T							
index	sheet	1	2							

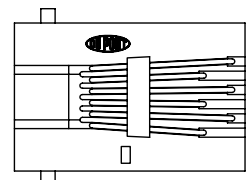
PDM: Rev:U STATUS:Released Printed: Aug 01, 2010

Tous droits strictement réservés. Reproduction ou communication a des tiers interdite sans autorisation écrite de l'ingénieur responsable de la conception. Property of FCI ELECTRONICS copyright FCI ELECTRONICS INC.



All rights strictly reserved. Reproduction or issue to third parties in any form without the prior written authority of FCI ELECTRONICS INC. Property of FCI ELECTRONICS copyright FCI ELECTRONICS INC.

PRODUCT NO. (NOTE 1)	POSITIONS LOADED	CONTACT PLATING	HOUSING COLOR	MOUNTING EARS	REMARKS
68898-001/-001LF	ALL	GXT @ TM	BLACK	YES	-
68898-001R/-001RLF	ALL	GXT @ TM	RED	YES	-
68898-001G/-001GLF	ALL	GXT @ TM	GREEN	YES	-
-002/-002LF	2,3,4,5	GXT @ TM	BLACK	YES	-
-003/-003LF	3,4	0,76um /30u" Au	BLACK	YES	-
-004/-004LF	2,3,4,5	0,76um /30u" Au	BLACK	YES	-
-005/-005LF	ALL	0,76um /30u" Au	BLACK	YES	-
-006/-006LF	3,4	GXT @ TM	BLACK	YES	-
-007	2,3,4,5	GXT @ TM	GRAY	YES	OBSOLETED
-008/-008LF	ALL	0,76um /30u" Au	BLACK	NO	-
-009/-009LF	2,3,4,5	1,27um /50u" Au	BLACK	YES	-
-010/-010LF	ALL	1,27um /50u" Au	BLACK	YES	-
-011/-011LF	2,3,4,5	2u" Au	BLACK	YES	-
-012/-012LF	2,3,4,5	6u" Au	BLACK	YES	-
-013/-013LF	ALL	GXT @ TM	BLACK	YES	HI TEMP MATERIAL
-014/-014LF	3,4	6u" Au	BLACK	YES	-
-015/-015LF	3,4	GXT @ TM	BLACK	NO	-
-016/-016LF	2,3,4,5	GXT @ TM	BLACK	NO	-
-017LF	ALL	GXT @ TM	BLACK	YES	-

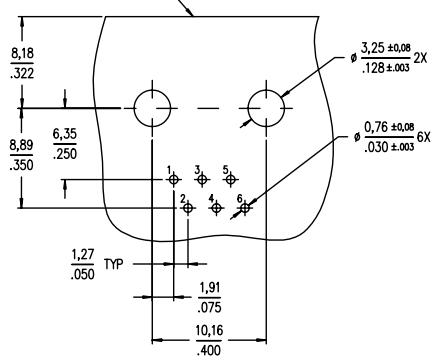


VIEW A-A

NOTES :

- WHEN PRODUCT CALLS FOR PACKAGING IN TRAY ORDER THE PRODUCT WITH PART NUMBER 68898-XXXX OR -XXXXLF FOR PACKAGING IDENTIFICATION. FOR PRODUCT NUMBER WITHOUT SUFFIX "T" OR "TLF", THE PRODUCT WILL BE PACKED IN TUBE AS PER DUPONT STANDARD PACKAGING.
- GXT IS 0,76um / 30u" MIN GXT WITH Au FLASH OVER 1,27um / 50u" MIN Ni.
- THIS PRODUCT MEETS EUROPEAN UNION DIRECTIVES AND OTHER COUNTRY REGULATIONS AS DESCRIBED IN GS-22-008.
- IF LF P/N PACKAGING MEETS GS-14-920 SPECIFICATION.
- THE HOUSING WILL WITHSTAND EXPOSURE TO 260°C PEAK TEMPERATURE FOR 10 SECONDS IN A WAVE SOLDER APPLICATION WITH A 1.60mm MINIMUM THICK CIRCUIT BOARD.
- FOR 68898-013/013LF THE HOUSING WILL WITHSTAND EXPOSURE TO 260°C PEAK TEMPERATURE FOR 10 SECONDS IN A CONVECTION, INFRA-RED OR VAPOR PHASE REFLOW OVEN.
- EQUIVALENT THICKNESS Au AND GXT PLATING HAVE SAME FUNCTION AND THEY ARE ALTERNATIVE BY THE CUSTOEMR .

LEAD FREE PRODUCT NO. EDGE OF BOARD RECOMMENDED BOARD LAYOUT VIEWED FROM TOP



mat'l code		tolerance unless otherwise specified	CUSTOMER COPY	FCI www.fciconnect.com	
rev.	ecn no.	dr	date	lineer	projection
U				xx ±0.3/xx ±0.0	title
				xxx ±0.13/xx ±0.005	6 POS HORIZONTAL
				xxxx ±0.01/xx ±0.000	P.C.B. MOD JACK ASSY
				angles ± 2°	product family
				dr JANET D1/26/00	size
				enqr TONY CHIEN D1/26/00	dwg no.
				chr TONY CHIEN D1/26/00	scale
				appd JENN TSAO D1/26/00	1/1
sheet	revision				
index	sheet				