

### INTRODUCTION:

Adam Tech EB Series Euro Blocks are a broad range of PCB mounted blocks in various sizes and profiles including Standard, Miniature and Micro blocks with pitches ranging from 15.00mm down to 3.50mm. Included are types that have wire entry from Top, Side or Side Angle.

Two piece 'pluggable' versions and Lever Actuated styles are also available. Each contains our unique wire guard design and is precision manufactured for smooth operation and ease of use.

### SPECIFICATIONS:

#### Material:

Insulator: PBT or Nylon, glass reinforced, rated UL94V-0

Insulator Color: Green, Black (Blue and Gray optional)

Metal cage: Brass, tin plated

Screw: Steel, Galvanized or Chromatized

Wire Guard: Stainless Steel, Tin plated

#### Electrical:

Operating voltage: 250V AC max.

Current rating: 7 to 15 Amp max

Contact resistance: 20 mΩ max. initial

Insulation resistance: 5000 MΩ min.

Dielectric withstanding voltage: 1500V AC for 1 minute

#### Mechanical:

Recommended wire size:

EBC & EBF Series: 16 to 26 Awg

EBA, EBB, EBD, EBE, EBG & EBJ Series: 14 to 22 Awg

EBH, EBK, EBM, EBN, EBP, EBQ, EBR, EBS & EBV Series: 12 to 24 Awg

Mating durability: 500 Cycles min.

#### Temperature Rating:

Operating temperature: -55°C to +105°C

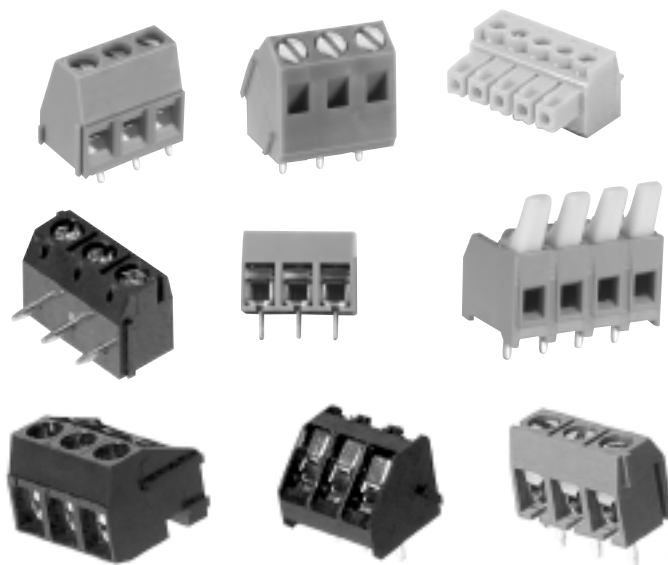
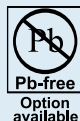
#### PACKAGING:

Anti-ESD plastic trays

#### SAFETY AGENCY APPROVALS:

UL Recognized File No. E224053

CSA Certified File No. LR1578596



### ORDERING INFORMATION

**EBA**

**03**

**C**

#### SERIES INDICATOR

**EBA** = .492" Straight

**EBB** = .394" Straight

**EBC** = .327" Straight

**EBD** = .354" Right Angle

**EBE** = .295" Right Angle

**EBF** = .275" Right Angle

**EBG** = .472" Angled

**EBH** = .590" Pluggable

**EBJ** = .433" Pluggable

**EBK** = .440" Pluggable

**EBM** = .386" Right Angle

**EBN** = .291" Right Angle

**EBP** = Header, Straight

**EBQ** = Header, Right Angle

**EBR** = Header, Straight

**EBS** = Header, Right Angle

**EBT** = Pin Header, Straight

**EBV** = .543" Straight

**EBW** = .335" Straight

**TSE** = Lever block

#### NO. OF POLES

02 thru 24

#### CENTERLINE SPACING

A = .138" [3.50mm]

B = .150" [3.81mm]

C = .197" [5.00mm]

D = .200" [5.08mm]

E = .276" [7.00mm]

G = .300" [7.62mm]

H = .394" [10.00mm]

J = .400" [10.16mm]

K = .591" [15.00mm]

#### Standard body colors:

**Black:** Series EBA, EBB, EBC, EBD, EBE, EBF, EBG, EBJ, EBT

**Green:** Series EBH, EBP, EBQ, EBK, EBR, EBS, EBV, EBM, EBN, EBW

*Other colors also available*

#### OPTIONS:

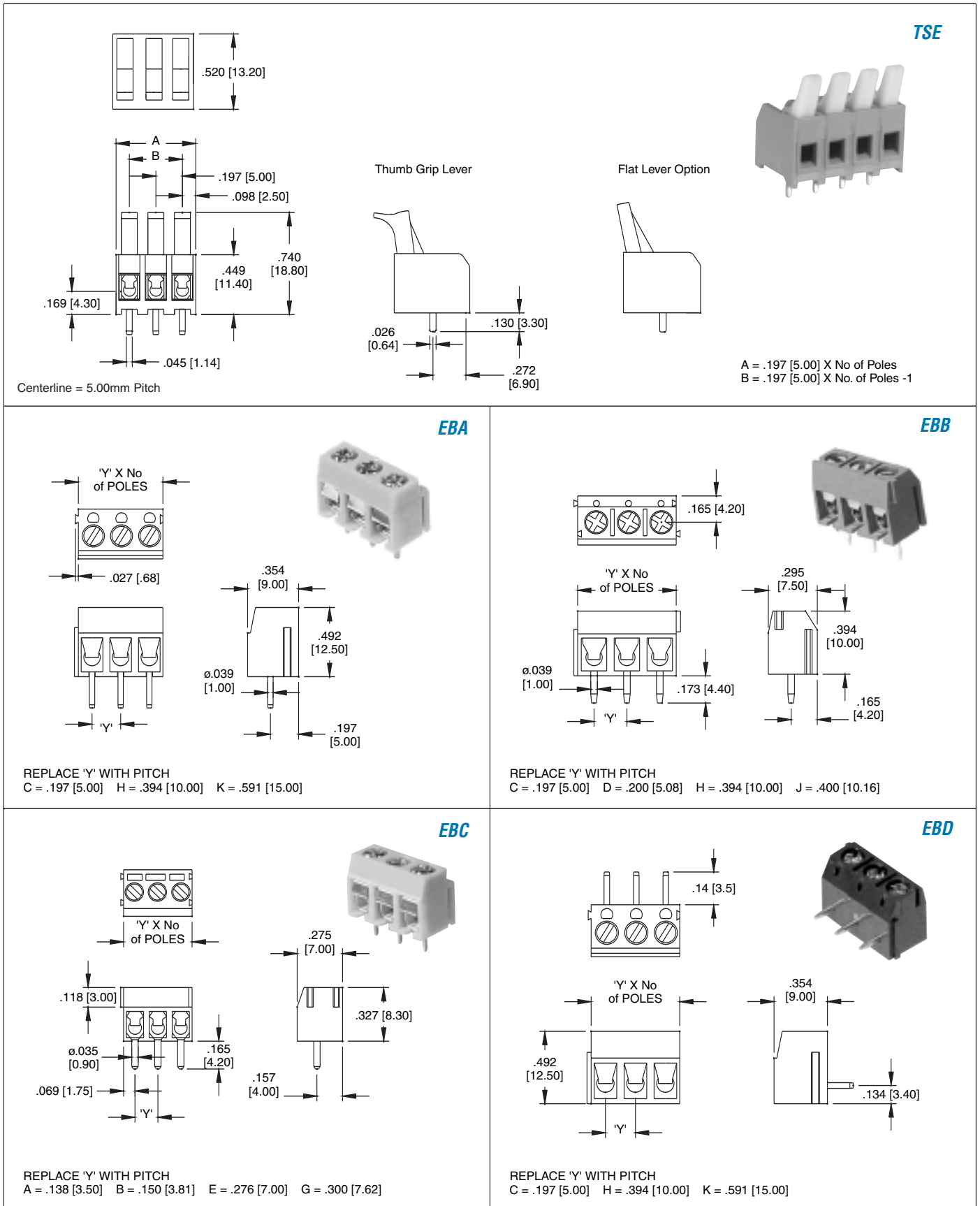
Add designator(s) to end of part number

**C** = Closed sides, body styles EBP, EBQ, EBR & EBS

**E** = Mounting ears, body styles EBH & EBK

**FL** = Flat lever option (TSE only)

**RC** = RoHS compliant lead-free product with Hi-Temp insulator



**EBW**

REPLACE 'Y' WITH PITCH  
 A = .138 [3.50] B = .150 [3.81] E = .276 [7.00] G = .300 [7.62]

**EBH**

REPLACE 'Y' WITH PITCH  
 C = .197 [5.00] D = .200 [5.08] H = .394 [10.00] J = .400 [10.16]

**EBP - STRAIGHT & EBQ - RIGHT ANGLE  
 WITH -C CLOSED SIDE OPTION**

CLOSED SIDES OPTION AVAILABLE ON STRAIGHT OR  
 RIGHT ANGLE HOUSING. EBP & EBQ SERIES

**EBP**

REPLACE 'Y' WITH PITCH  
 C = .197 [5.00] D = .200 [5.08] H = .394 [10.00] J = .400 [10.16]

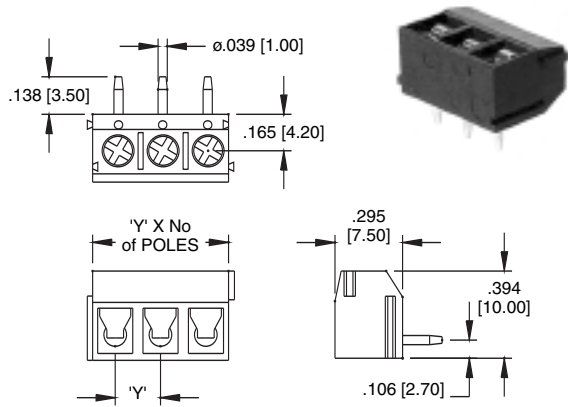
**EBQ**

REPLACE 'Y' WITH PITCH  
 C = .197 [5.00] D = .200 [5.08] H = .394 [10.00] J = .400 [10.16]

**EBK**

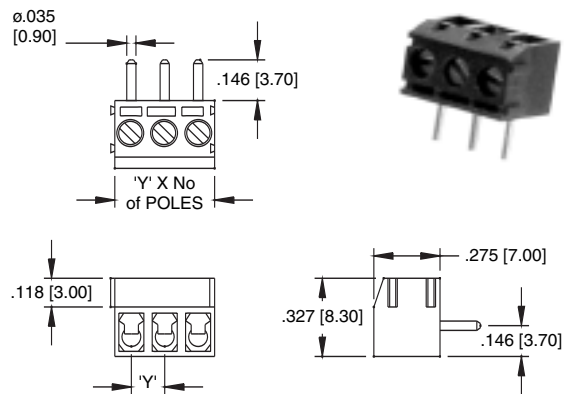
REPLACE 'Y' WITH PITCH  
 A = .138 [3.50] B = .150 [3.81] E = .276 [7.00] G = .300 [7.62]

**EBE**



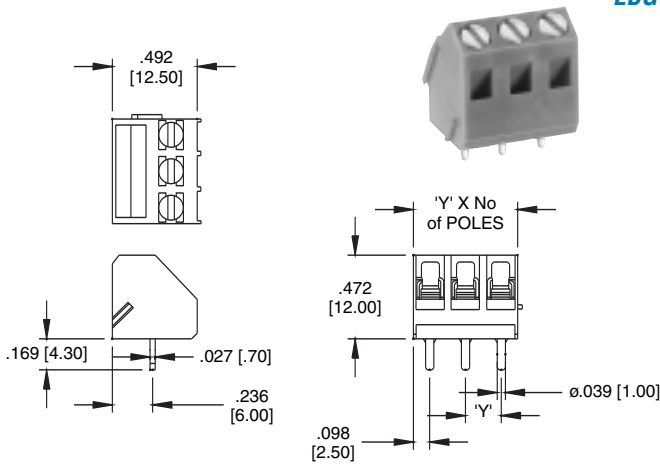
REPLACE 'Y' WITH PITCH  
 C =  $.197 [5.00]$  D =  $.200 [5.08]$  H =  $.394 [10.00]$  J =  $.400 [10.16]$

**EBF**



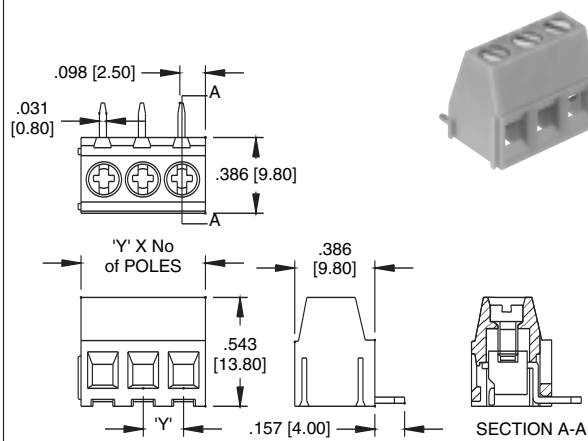
REPLACE 'Y' WITH PITCH  
 A =  $.138 [3.50]$  B =  $.150 [3.81]$  E =  $.276 [7.00]$  G =  $.300 [7.62]$

**EBG**



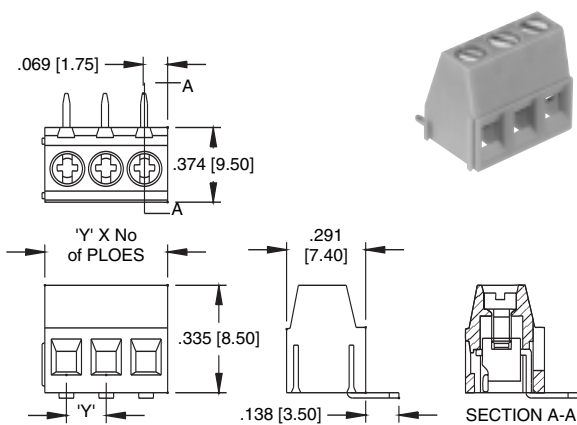
REPLACE 'Y' WITH PITCH  
 C =  $.197 [5.00]$  H =  $.394 [10.00]$

**EBM**



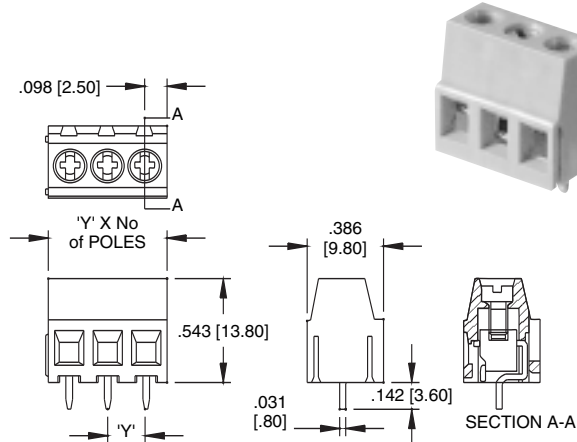
REPLACE 'Y' WITH PITCH  
 C =  $.197 [5.00]$  D =  $.200 [5.08]$  H =  $.394 [10.00]$  J =  $.400 [10.16]$

**EBN**



REPLACE 'Y' WITH PITCH  
 A =  $.138 [3.50]$  B =  $.150 [3.81]$  E =  $.276 [7.00]$  G =  $.300 [7.62]$

**EBV**



REPLACE 'Y' WITH PITCH  
 C =  $.197 [5.00]$  D =  $.200 [5.08]$  H =  $.394 [10.00]$  J =  $.400 [10.16]$

**EBK WITH MOUNTING EARS**

REPLACE 'Y' WITH PITCH  
 A = .138 [3.50] B = .150 [3.81] E = .276 [7.00] G = .300 [7.62]

**EBR**

REPLACE 'Y' WITH PITCH  
 A = .138 [3.50] B = .150 [3.81] E = .276 [7.00] G = .300 [7.62]

**EBS**

REPLACE 'Y' WITH PITCH  
 A = .138 [3.50] B = .150 [3.81] E = .276 [7.00] G = .300 [7.62]

**EBJ**

REPLACE 'Y' WITH PITCH  
 C = .197 [5.00] H = .394 [10.00]

**EBR - STRAIGHT & EBS - RIGHT ANGLE WITH -C CLOSED SIDE OPTION**

CLOSED SIDES OPTION AVAILABLE ON STRAIGHT OR RIGHT ANGLE HOUSING. EBR & EBS SERIES

**EBT**

REPLACE 'Y' WITH PITCH  
 C = .197 [5.00] H = .394 [10.00]