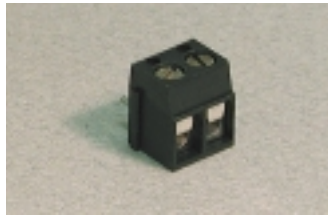


# Fixed PCB Blocks

Pin Spacing: 5.00mm  
 Orientation: Horizontal  
 Clamp Type: Tubular Screw with Wire Protector  
 Design: Modular



**MHE-16**

**ELECTRICAL**

|  | Current | Voltage | Wire Range |
|--|---------|---------|------------|
|  | 16A     | 250V    | 22-14AWG   |

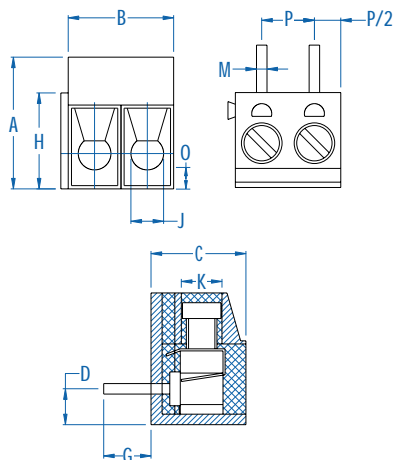
**INSTALLATION DATA**

| Screw Size | M3                  | PCB Hole Size   | 1.3mm |
|------------|---------------------|-----------------|-------|
| Torque     | 0.5Nm (4.5 lbf-in.) | Stripping Lgth. | 5.8mm |

**MATERIAL**

|                           |                        |                       |                  |
|---------------------------|------------------------|-----------------------|------------------|
| <b>Body</b>               | Glass-Filled Polyester | <b>Screw</b>          | Galvanized Steel |
| <b>Flammability Class</b> | UL94V-0                | <b>Terminal</b>       | Tin-Plated Brass |
| <b>Temperature Limit</b>  | 130°C UL<br>125°C IEC  | <b>Wire Protector</b> | CuSn6            |
| <b>Color</b>              | Black                  |                       |                  |

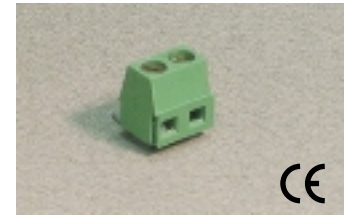
| No. Poles | Cat. #   | Length (B) (mm) | Std. Pk. |
|-----------|----------|-----------------|----------|
| 2         | MHE-162  | 10.0            | 100      |
| 3         | MHE-163  | 15.0            | 100      |
| 4         | MHE-164  | 20.0            | 50       |
| 5         | MHE-165  | 25.0            | 50       |
| 6         | MHE-166  | 30.0            | 50       |
| 7         | MHE-167  | 35.0            | 50       |
| 8         | MHE-168  | 40.0            | 50       |
| 9         | MHE-169  | 45.0            | 50       |
| 10        | MHE-1610 | 50.0            | 50       |
| 11        | MHE-1611 | 55.0            | 50       |
| 12        | MHE-1612 | 60.0            | 50       |
| 13        | MHE-1613 | 65.0            | 20       |
| 14        | MHE-1614 | 70.0            | 20       |
| 15        | MHE-1615 | 75.0            | 20       |
| 16        | MHE-1616 | 80.0            | 20       |
| 17        | MHE-1617 | 85.0            | 20       |
| 18        | MHE-1618 | 90.0            | 20       |
| 19        | MHE-1619 | 95.0            | 20       |
| 20        | MHE-1620 | 100.0           | 20       |
| 21        | MHE-1621 | 105.0           | 20       |
| 22        | MHE-1622 | 110.0           | 20       |
| 23        | MHE-1623 | 115.0           | 20       |
| 24        | MHE-1624 | 120.0           | 20       |



**Dimensions**

|   |          |   |          |
|---|----------|---|----------|
| A | 12.50 mm | I | -        |
| B | 10.00 mm | J | Ø3.10 mm |
| C | 9.00 mm  | K | Ø3.95 mm |
| D | 3.40 mm  | L | -        |
| E | -        | M | Ø1.00 mm |
| F | -        | N | -        |
| G | 4.50 mm  | O | 2.00 mm  |
| H | 8.80 mm  | P | 5.00 mm  |

Pin Spacing: 5.00mm  
 Orientation: Horizontal  
 Clamp Type: Screw Cage  
 Design: Modular



**MH-15**

**ELECTRICAL**

|  | Current | Voltage | Wire Range                      |
|--|---------|---------|---------------------------------|
|  | 10A     | 300V    | 30-16AWG                        |
|  | 13.5A   | 250V    | 1.5mm² Stranded<br>2.5mm² Solid |

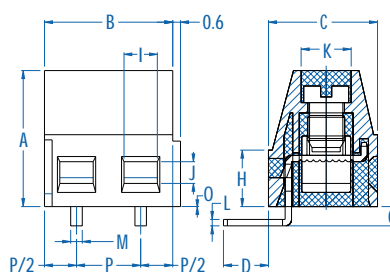
**INSTALLATION DATA**

| Screw Size | M3                  | PCB Hole Size   | 1.3mm |
|------------|---------------------|-----------------|-------|
| Torque     | 0.5Nm (4.5 lbf-in.) | Stripping Lgth. | 6.7mm |

**MATERIAL**

|                           |                       |                 |                  |
|---------------------------|-----------------------|-----------------|------------------|
| <b>Body</b>               | PA6.8                 | <b>Screw</b>    | Galvanized Steel |
| <b>Flammability Class</b> | UL94V-0               | <b>Terminal</b> | Tin-Plated Brass |
| <b>Temperature Limit</b>  | 105°C UL<br>125°C IEC | <b>Clamp</b>    | Nickel Brass     |
| <b>Color</b>              | Green                 |                 |                  |

| No. Poles | Cat. #  | Length (B) (mm) | Std. Pk. |
|-----------|---------|-----------------|----------|
| 2         | MH-152  | 10.0            | 100      |
| 3         | MH-153  | 15.0            | 100      |
| 4         | MH-154  | 20.0            | 50       |
| 5         | MH-155  | 25.0            | 50       |
| 6         | MH-156  | 30.0            | 50       |
| 7         | MH-157  | 35.0            | 50       |
| 8         | MH-158  | 40.0            | 50       |
| 9         | MH-159  | 45.0            | 50       |
| 10        | MH-1510 | 50.0            | 50       |
| 11        | MH-1511 | 55.0            | 50       |
| 12        | MH-1512 | 60.0            | 50       |
| 13        | MH-1513 | 65.0            | 20       |
| 14        | MH-1514 | 70.0            | 20       |
| 15        | MH-1515 | 75.0            | 20       |
| 16        | MH-1516 | 80.0            | 20       |
| 17        | MH-1517 | 85.0            | 20       |
| 18        | MH-1518 | 90.0            | 20       |
| 19        | MH-1519 | 95.0            | 20       |
| 20        | MH-1520 | 100.0           | 20       |
| 21        | MH-1521 | 105.0           | 20       |
| 22        | MH-1522 | 110.0           | 20       |
| 23        | MH-1523 | 115.0           | 20       |
| 24        | MH-1524 | 120.0           | 20       |



**Dimensions**

|   |          |   |          |
|---|----------|---|----------|
| A | 10.60 mm | I | 2.60 mm  |
| B | 10.00 mm | J | 1.70 mm  |
| C | 8.50 mm  | K | Ø3.90 mm |
| D | 3.70 mm  | L | 0.50 mm  |
| E | -        | M | 0.90 mm  |
| F | -        | N | -        |
| G | 1.50 mm  | O | 1.80 mm  |
| H | 4.40 mm  | P | 5.00 mm  |