


ME 22,5 UT/FE BUS/10+2 BU

Order No.: 2706768

<http://eshop.phoenixcontact.de/phoenix/treeViewClick.do?UID=2706768>

Lower part of housing, integrated 10-pos. cross connection link for parallel through contacting, and 2-pos. connection link for serial contacting

Commercial data

GTIN (EAN)	
sales group	F050
Pack	10 pcs.
Customs tariff	85369010

Product notes

WEEE/RoHS-compliant since:
04/01/2005



<http://www.download.phoenixcontact.com>
Please note that the data given here has been taken from the online catalog. For comprehensive information and data, please refer to the user documentation. The General Terms and Conditions of Use apply to Internet downloads.

Certificates / Approvals

Certification

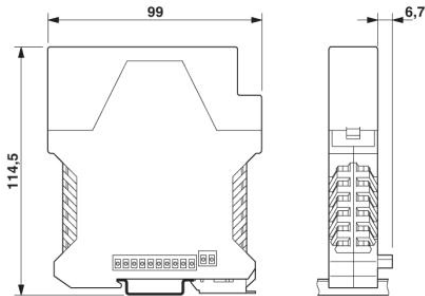
CUL, UL

Accessories

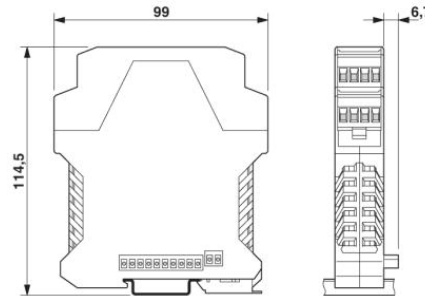
Item	Designation	Description
Assembly		
2735690	ME B-KA BU	Terminal cover, 1 strip covers up to 12 terminal points, for ME-BUS terminal opening, (male side)
2935959	ME B-SA/NS 35	Terminal cover, 1 strip covers up to 12 terminal points, for ME-BUS male side, (female side)
2908760	ME DH27 NS 35	Spacers, for protection of the input or output contacts for DIN rail NS 35, width [B] 27 mm
2909895	ME DH36 NS 35	Spacers, for protection of the input or output contacts for DIN rail NS 35, width [B] 36 mm
2853899	ME-SAS	Shield connection clamp for printed circuit terminal block
General		
2908359	ME B-22,5 MKDSO BU	Electronic housing
2907813	ME B-22,5 MSTBO BU	Electronic housing
Plug/Adapter		
1734634	CP-MSTB	Keying profile, is inserted into the slot on the plug or inverted header, red insulating material
1734401	CR-MSTB	Coding section, inserted into the recess in the header or the inverted plug, red insulating material

Diagrams/Drawings

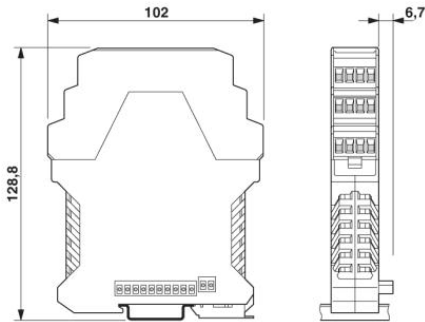
Dimensioned drawing



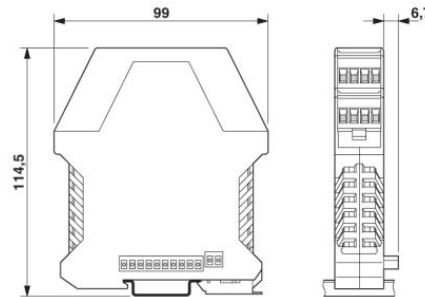
Dimensions of the electronics housing ME.../BUS 5+2 and ME.../BUS 10+2 with single-level upper part



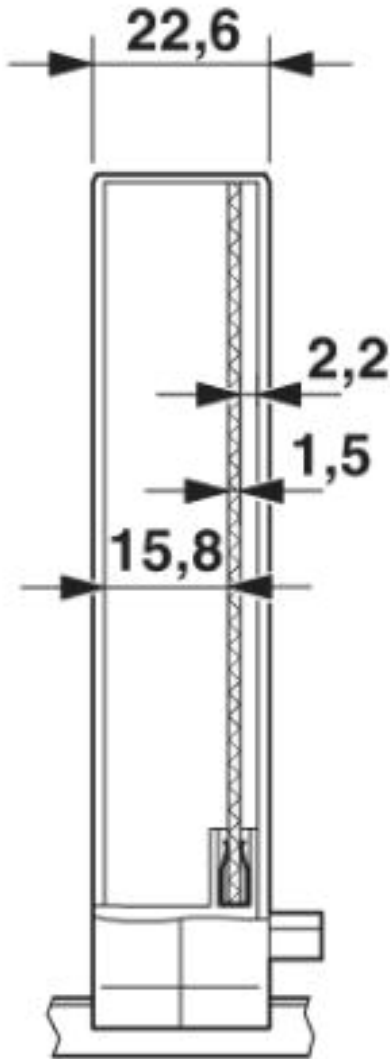
Dimensions of the electronics housing ME.../BUS 5+2 and ME.../BUS 10+2 with double-level upper part



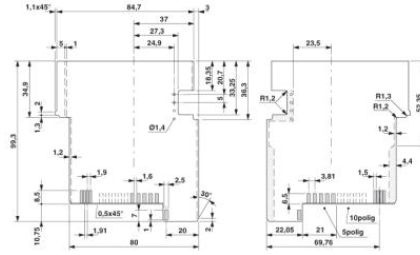
Dimensions of the electronics housing ME.../BUS 5+2 and ME.../BUS 10+2 with triple-level upper part



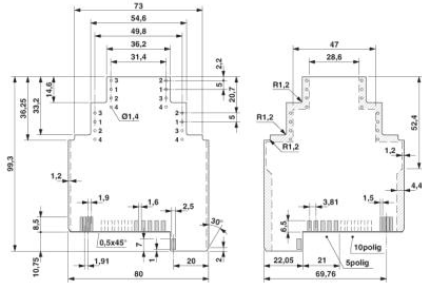
Dimensions of the electronics housing ME.../BUS 5+2 and ME.../BUS 10+2 with double-level upper part



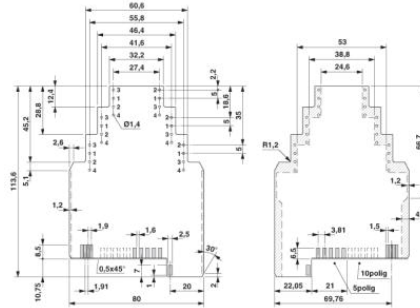
Inner housing dimensions, electronic housing ME 22.5.../BUS 5+2 and ME 22.5.../BUS 10+2



Dimensional drawing of the ME.../BUS 5+2 and ME.../BUS 10+2 printed circuit boards if the single-level upper part is used

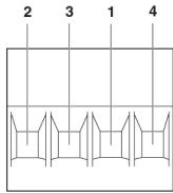


Dimensional drawing of the ME.../BUS 5+2 and ME.../BUS 10+2 printed circuit boards if the double-level upper part is used

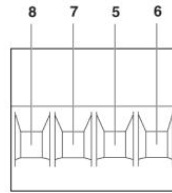
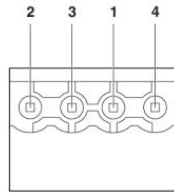


Dimensional drawing of the ME.../BUS 5+2 and ME.../BUS 10+2 printed circuit boards if the triple-level upper part is used

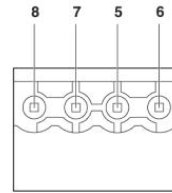
Schematic diagram



Pin assignment left



Pin assignment right



Address

PHOENIX CONTACT Inc., USA
586 Fulling Mill Road
Middletown, PA 17057, USA
Phone (800) 888-7388
Fax (717) 944-1625
<http://www.phoenixcon.com>



© 2011 Phoenix Contact
Technical modifications reserved;