

Amphenol

www.amphenol.co.uk



SCE Series

Snatch Connector
Electrical Series



For more information call **01227 773200**
Amphenol Ltd, Thanet Way, Whitstable, Kent, CT5 3JF, England

SCE

Snatch Connector Electrical Series



SCE is a miniature product with a silent push to mate and pull to release design across two styles of cable receptacles. All inserts and contacts are moulded in place, achieving high environmental sealing to IP68. The metalwork is machined from brass, giving an increased number of mating cycles over traditional aluminium connectors.

The snatch push pull design is fully grounded and cannot be locked when mated, as the cable receptacle has no moving parts, i.e. coupling nut, thus eliminating the path for the ingress of moisture and dust to the interface. The latch push pull design can be non-grounded or grounded and is locked when mated by rotating the coupling nut fitted to the cable receptacle by 30°. This coupling mechanism locks the connectors together, ensuring that they cannot be inadvertently demated. Both are fitted with internal and external o-rings for sealing.

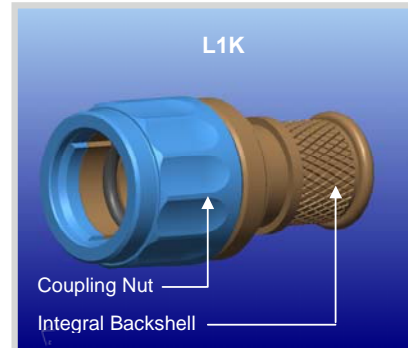
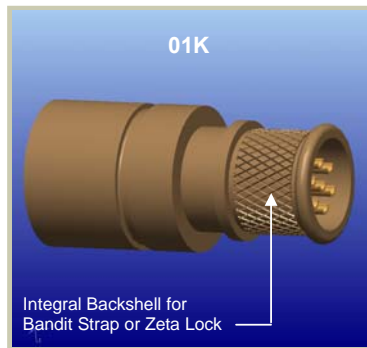
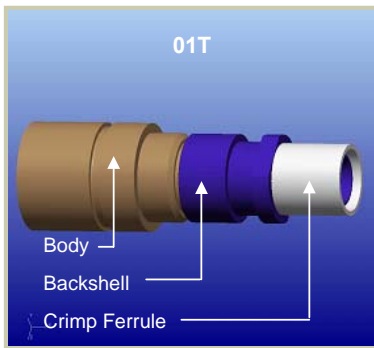
The chassis mounting plug remains unchanged to allow the user to select either a snatch or latch cable receptacle without changing the equipment interface.

Scoop proof shell to shell keying is provided with five different key options of A, B, C, D and N positions, to prevent mis-mating between shells of different operations.

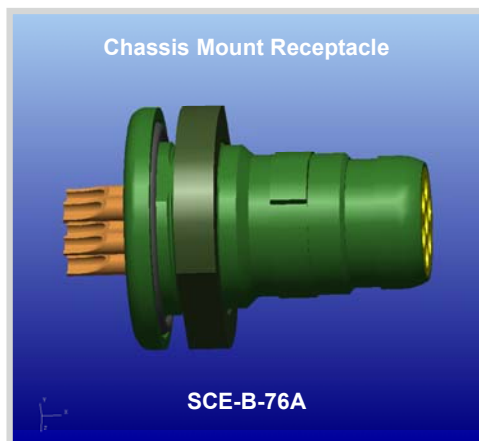
Amphenol Ltd offers full cable harness solutions with overmoulding capabilities or, where preferred, a heat shrink boot can be used.



SCE Terminology



SCE Mating Options



Chassis Mount Plug remains same to mate with Snatch or Latch Receptacle

SCE Performance Information

INSERT AVAILABILITY	
06-05	5 #22 AWG Contacts
06-06	6 #22 AWG Contacts
06-07	7 #22 AWG Contacts
07-10A	8 #22 AWG Contacts and 2 #16 AWG Contacts
07-12	12 #22 AWG Contacts
07-14	14 #22 AWG Contacts
08-19	19 #22 AWG Contacts

CONTACT SPECIFICATIONS		
Contact Resistance	5 mΩ initially	Less than 10 mΩ
Shell to Shell Conductivity	5 mΩ initially	Less than 10 mΩ

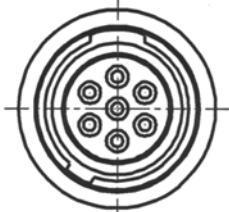
INSERT SPECIFICATIONS	
Working Voltage (Sea Level)	115 Vac
DWV (Sea Level)	500 Vac
Insulation Resistance (Sea Level)	1GΩ @ 500 Vdc
Current Rating (Individual Contact)	3A
Current Rating (all Contacts Simultaneously)	1A

ENVIRONMENTAL	
Temperature	-55°C / +85°C
Salt Spray Resistance	500 hours
Fluids	As per MIL-C-26482 Series I
Vibration and Shock	As per MIL-C-26482 Series I
Sealing	IP68 through Unmated Bulkhead Connectors
	IP68 Mated Pair Interface
Sand and Dust	DEF STAN 07-55 (Part 2) Test D1
Icing/Frosting	DEF STAN 07-55 (Part 2) Test B10

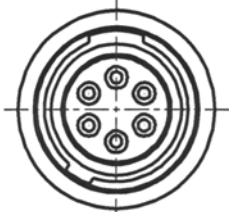
MECHANICAL	
Durability	2000 Matings
Materials	Shell : Brass – Standard plating finish Black Silver
	Contacts : Turned, Gold Plated
	Inserts and Seal : Proprietary Thermoplastic Polyester Elastomer

SCE Insert Availability – Shell Size 06

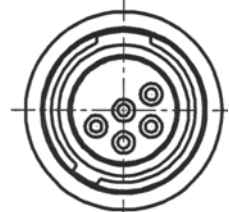
RECEPTACLES – PIN CONTACTS ONLY



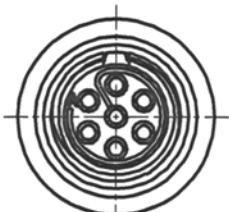
FRONT FACE VIEW
SCE 7 WAY



FRONT FACE VIEW
SCE 6 WAY



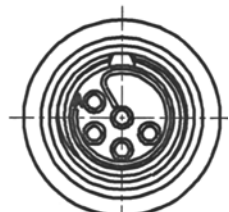
FRONT FACE VIEW
SCE 5 WAY



REAR FACE VIEW
SCE 7 WAY

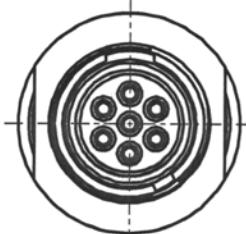


REAR FACE VIEW
SCE 6 WAY

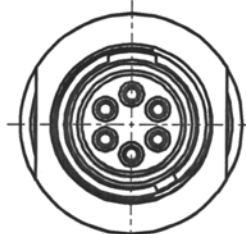


REAR FACE VIEW
SCE 5 WAY

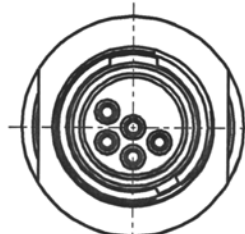
PLUGS – SOCKET CONTACTS ONLY



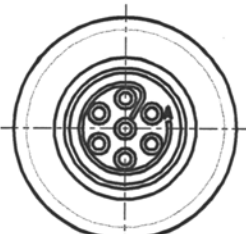
FRONT FACE VIEW
SCE 7 WAY



FRONT FACE VIEW
SCE 6 WAY



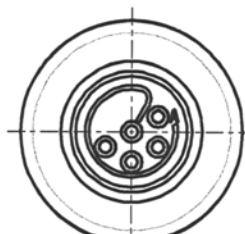
FRONT FACE VIEW
SCE 5 WAY



REAR FACE VIEW
SCE 7 WAY



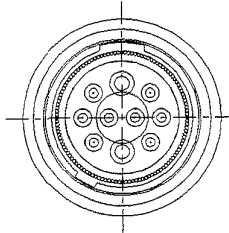
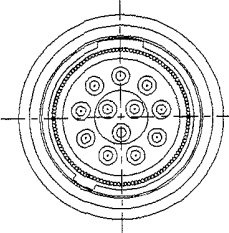
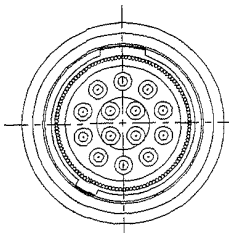
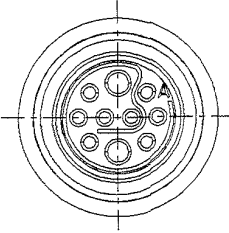
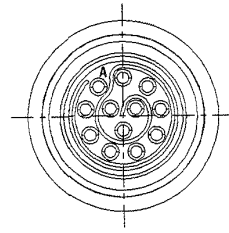
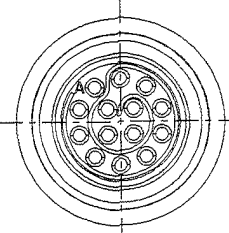
REAR FACE VIEW
SCE 6 WAY



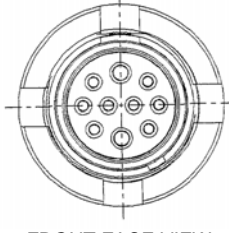
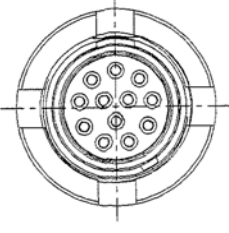
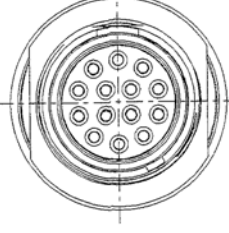
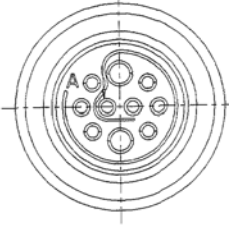
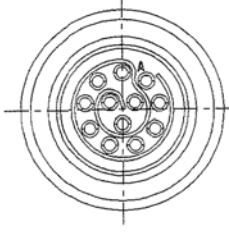
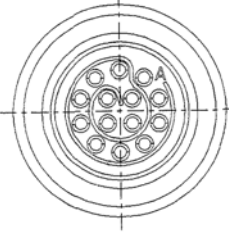
REAR FACE VIEW
SCE 5 WAY

SCE Insert Availability – Shell Size 07

RECEPTACLES – PIN SOCKETS ONLY

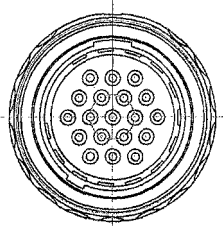
 FRONT FACE VIEW 10 WAY	 FRONT FACE VIEW 12 WAY	 FRONT FACE VIEW 14 WAY
 REAR FACE VIEW 10 WAY	 REAR FACE VIEW 12 WAY	 REAR FACE VIEW 14 WAY

PLUGS – SOCKET CONTACTS ONLY

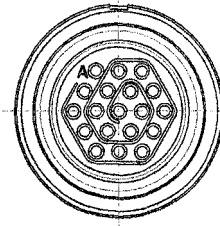
 FRONT FACE VIEW 10A WAY	 FRONT FACE VIEW 12 WAY	 FRONT FACE VIEW 14 WAY
 REAR FACE VIEW 10A WAY	 REAR FACE VIEW 12 WAY	 REAR FACE VIEW 14 WAY

SCE Insert Availability – Shell Size 08

RECEPTACLES – PIN CONTACTS ONLY

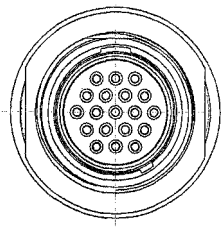


FRONT FACE VIEW
19 WAY

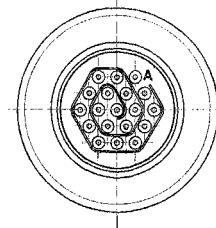


REAR FACE VIEW
19 WAY

PLUGS – SOCKET CONTACTS ONLY



FRONT FACE VIEW
19 WAY



REAR FACE VIEW
19 WAY

SCE Keyway Orientation

Part Number	Keyway Position	AA'
SCE-B-76A**-**SN-****	NORMAL	180
SCE-B-76A**-**SA-****	A	150
SCE-B-76A**-**SB-****	B	210
SCE-B-76A**-**SC-****	C	120
SCE-B-76A**-**SD-****	D	240

Part Number	Keyway Position	AA'
SCE-B-01K**-**PN	NORMAL	180
SCE-B-01K**-**PA	A	150
SCE-B-01K**-**PB	B	210
SCE-B-01K**-**PC	C	120
SCE-B-01K**-**PD	D	240

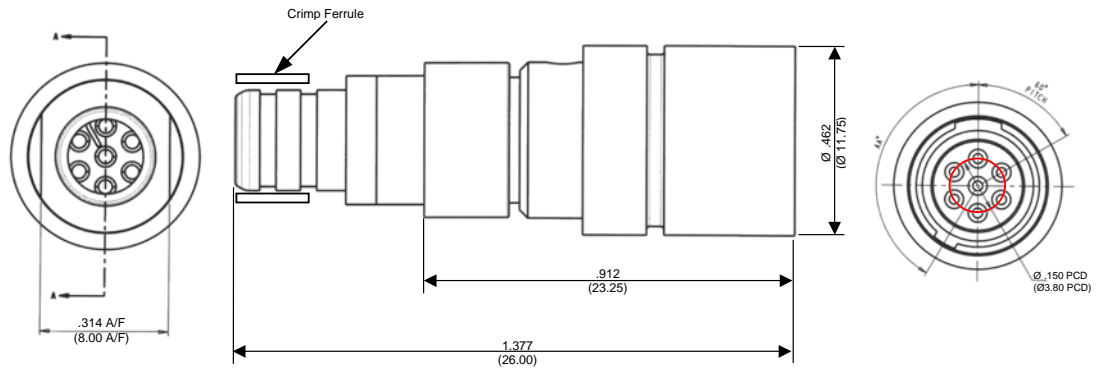
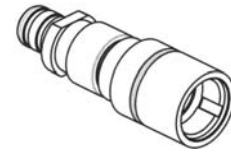
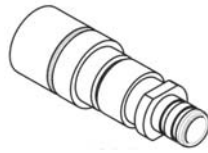
Part Number	Keyway Position	AA'
SCE-B-06K**-**PN	NORMAL	180
SCE-B-06K**-**PA	A	150
SCE-B-06K**-**PB	B	210
SCE-B-06K**-**PC	C	120
SCE-B-06K**-**PD	D	240

Part Number	Keyway Position	AA'
SCE-B-L1K**-**PN	NORMAL	180
SCE-B-L1K**-**PA	A	150
SCE-B-L1K**-**PB	B	210
SCE-B-L1K**-**PC	C	120
SCE-B-L1K**-**PD	D	240

SCE Table of Styles – Up to 7 Ways

SCE-B-01T06-XXPX-003

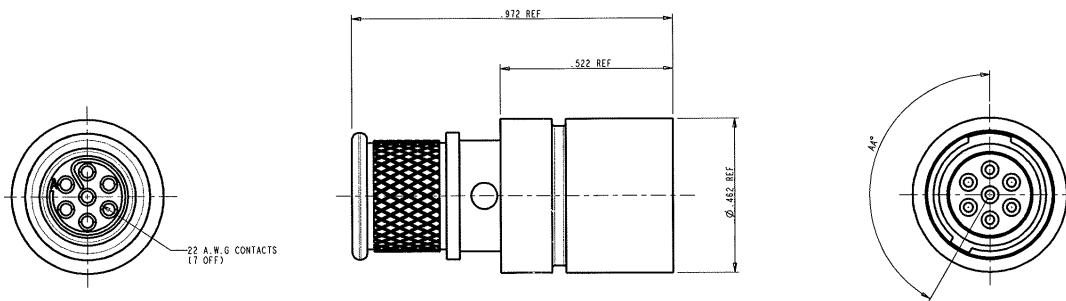
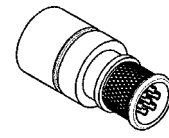
**In Line Receptacle
Solder Bucket Contacts**





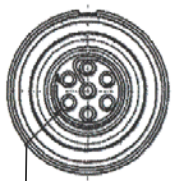
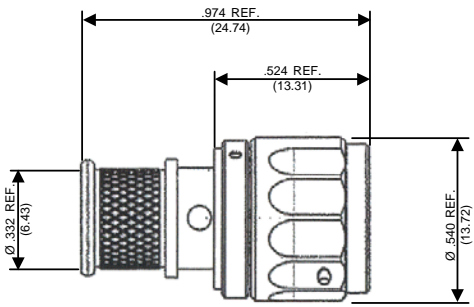
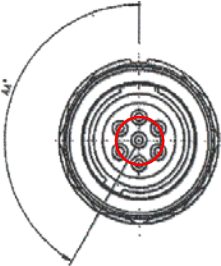
All Dimensions are for reference only
(Dimensions in brackets are in mm)


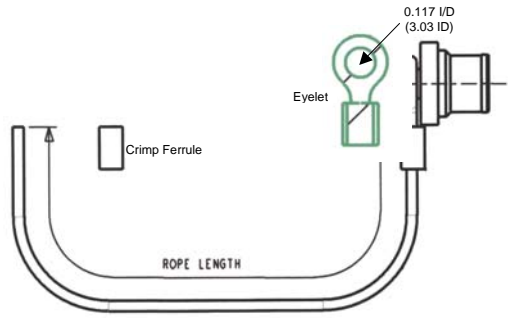
SCE-B-01K06-0*-P*

**Snatch In Line Receptacle
Integral Backshell
Shell Size 06**

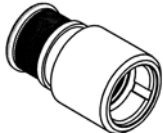

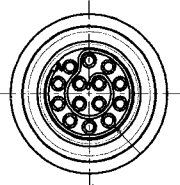
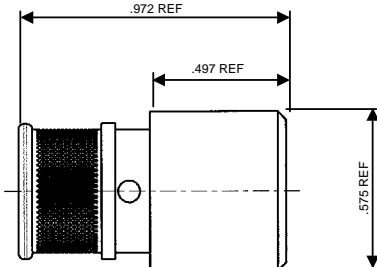
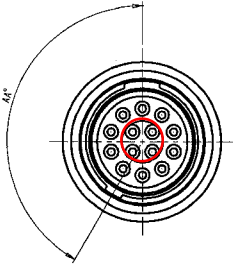




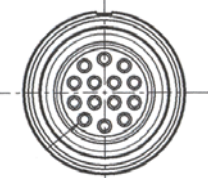
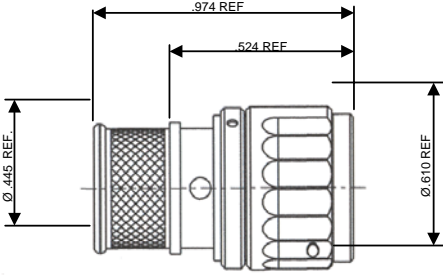
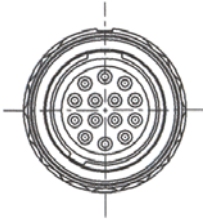
SCE Table of Styles – Up to 7 Ways

SCE-B-L1K06-XXPX Latch In Line Receptacle Integral Backshell, Non-Grounded (Shell Size 06)		
 <p style="font-size: small;">SOLDER BUCKET WILL ACCEPT 22 A.W.G. WIRE MAX</p>		
For Grounded Latch connector, please add (985) to the end of part number		

390-5016-XXX Receptacle Dust Cap and Cord Will suit Snatch and Latch Shell Size 06									
	 <p style="font-size: x-small;">0.117 I/D (3.03 ID) Eyelet Crimp Ferrule ROPE LENGTH</p>								
<table border="1" style="font-size: x-small; border-collapse: collapse;"> <thead> <tr> <th>PART NO.</th> <th>SUPPLY WITH</th> </tr> </thead> <tbody> <tr> <td>390-5016-XXX-01</td> <td>NO EYELET NO CRIMP FERRULE</td> </tr> <tr> <td>390-5016-XXX-02</td> <td>CRIMP FERRULE NO EYELET</td> </tr> <tr> <td>390-5016-XXX-03</td> <td>EYELET NO CRIMP FERRULE</td> </tr> </tbody> </table>	PART NO.	SUPPLY WITH	390-5016-XXX-01	NO EYELET NO CRIMP FERRULE	390-5016-XXX-02	CRIMP FERRULE NO EYELET	390-5016-XXX-03	EYELET NO CRIMP FERRULE	<p>PART NUMBER</p> <p style="font-size: x-small;">390 - 5016 - XXX - XX</p> <p style="font-size: x-small;">SERIES —————</p> <p style="font-size: x-small;">STYLE – CAP FOR RECEPTACLE —————</p> <p style="font-size: x-small;">CRIMP/EYELET – SEE TABLE 1</p> <p style="font-size: x-small;">LENTH OF ROPE 130 – 130mm 140 – 140mm</p>
PART NO.	SUPPLY WITH								
390-5016-XXX-01	NO EYELET NO CRIMP FERRULE								
390-5016-XXX-02	CRIMP FERRULE NO EYELET								
390-5016-XXX-03	EYELET NO CRIMP FERRULE								

SCE Table of Styles – Up to 14 Ways

<p>SCE-B-01K07-XXPX</p> <p>Snatch In Line Receptacle Integral Backshell Shell Size 07</p>		
 <p>22 AWG CONTACTS (14 off)</p>		 <p>4°</p>

<p>SCE-B-L1K07-XXPX</p> <p>Latch In Line Receptacle Integral Backshell, Non Grounded Shell Size 07</p>		
 <p>SOLDER BUCKET WILL ACCEPT 22 AWG WIRE MAX.</p>		
<p>For Grounded Latch connector, please add (985) to the end of part number</p>		

SCE Table of Styles

390-5020-XXX-XX(771)

Receptacle Dust Cap and Cord
Will suit Snatch and Latch
Shell Size 07

Cord is Black
 Eyelet and Crimp Ferrule Black Zinc Cobalt

PART NUMBER	SUPPLY WITH
390-5020-XXX-01 (771)	NO EYELET NO CRIMP FERRULE
390-5020-XXX-02 (771)	CRIMP FERRULE NO EYELET
390-5020-XXX-03 (771)	EYELET NO CRIMP FERRULE

PART NUMBER BREAKDOWN

390 - 5020 - XXX - XX (771)

SERIES _____

STYLE _____

CAP FOR SCE RECEPTACLE _____

SIZE 07 _____

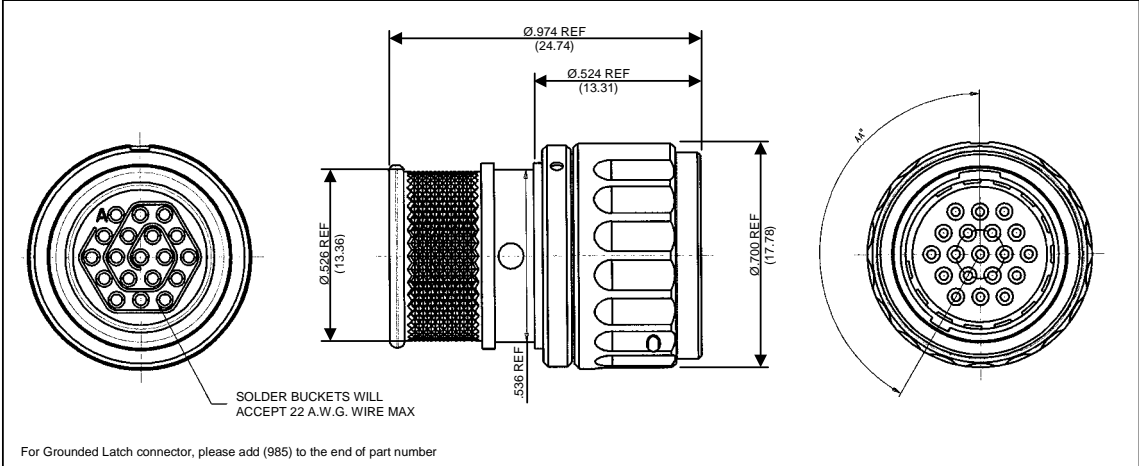
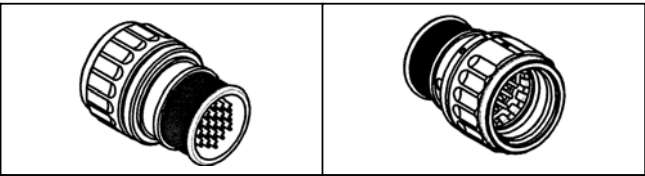
PLATING DEVIATION – BLACK ZINC COBALT _____

CRIMP/EYELET OPTION – SEE TABLE 1 _____

CORD LENGTH IN MILLIMETRES _____

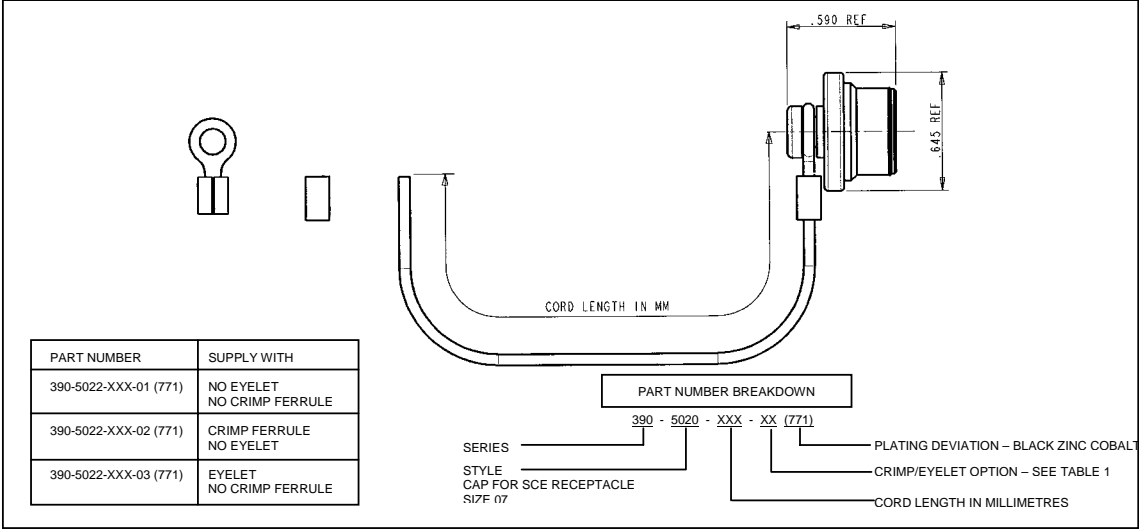
SCE Table of Styles – Up to 19 Ways

SCE-B-L1K08-XXPX
Latch In Line Receptacle
Integral Backshell, Non-Grounded
Shell Size 08



390-5022-XXX-XX(771)
Receptacle Dust Cap and Cord
Will suit Snatch and Latch
Shell Size 08

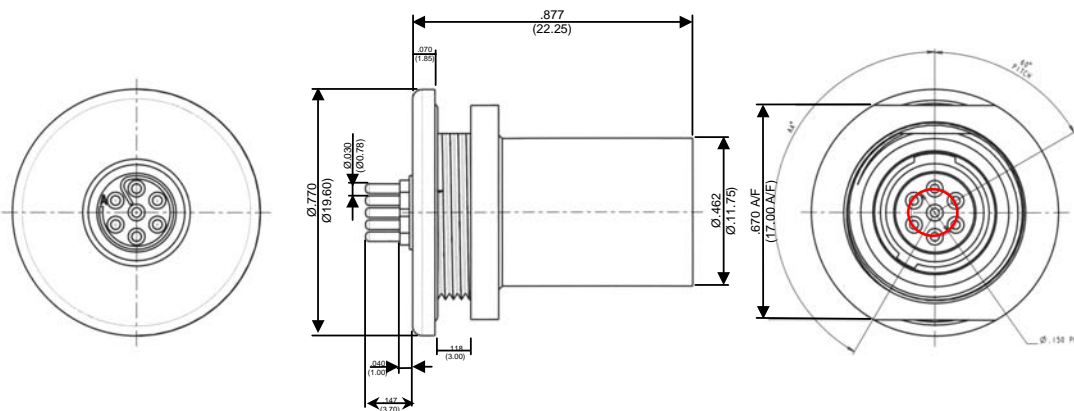
Cord is Black
 Eyelet and Crimp Ferrule Black Zinc Cobalt



SCE Table of Styles

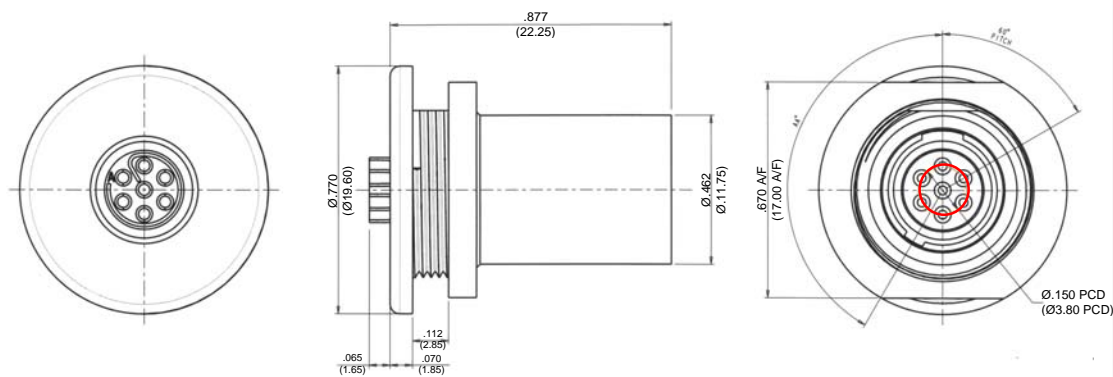
SCE-B-07A06-XXPX-001

**Jam Nut Rear Mount Receptacles
PCB Contacts**





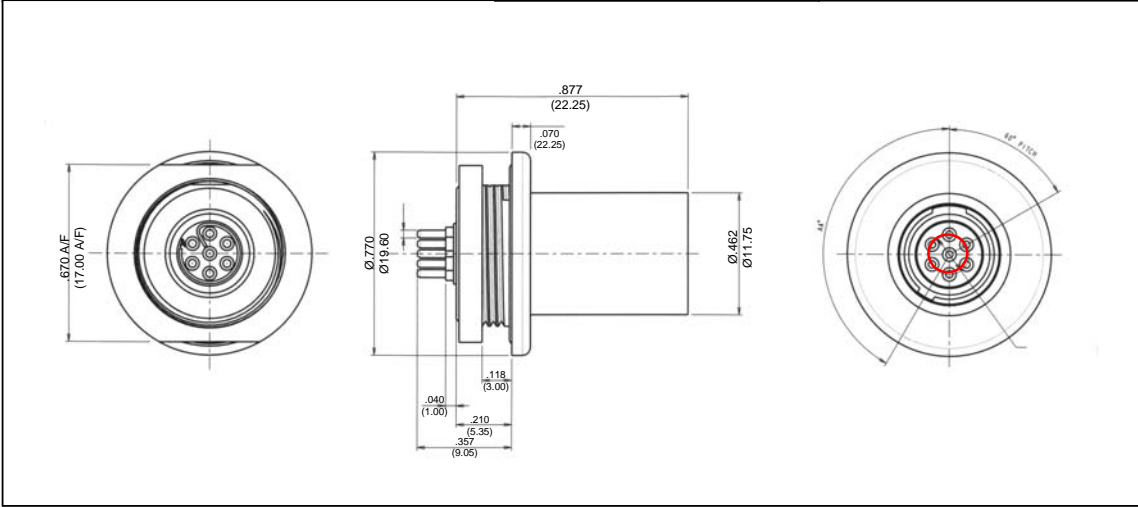
SCE-B-07A06-XXPX-002



**Jam Nut Rear Mount Receptacles
Solder Bucket Contacts**

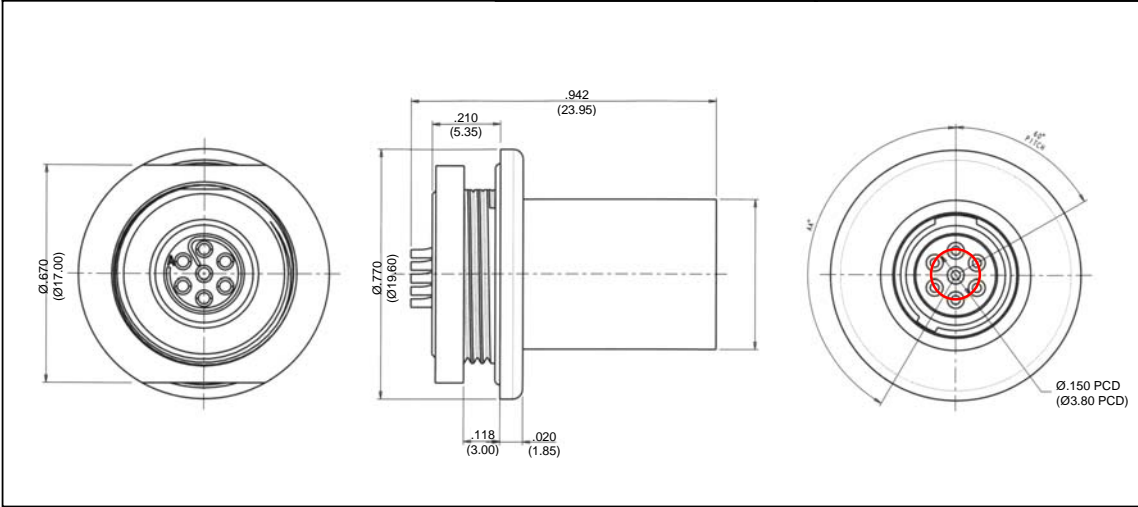


SCE Table of Styles

<p>SCE-B-17A06-XXPX-001</p> <p>Jam Nut Front Mount Receptacles PCB Contacts</p>		
---	---	---



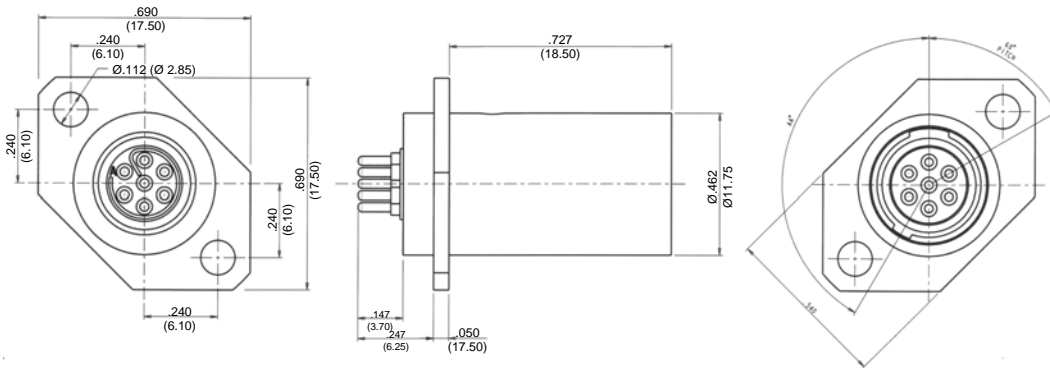
<p>SCE-B-17A06-XXPX-002</p> <p>Jam Nut Front Mount Receptacles Solder Bucket Contacts</p>		
---	---	---



SCE Table of Styles

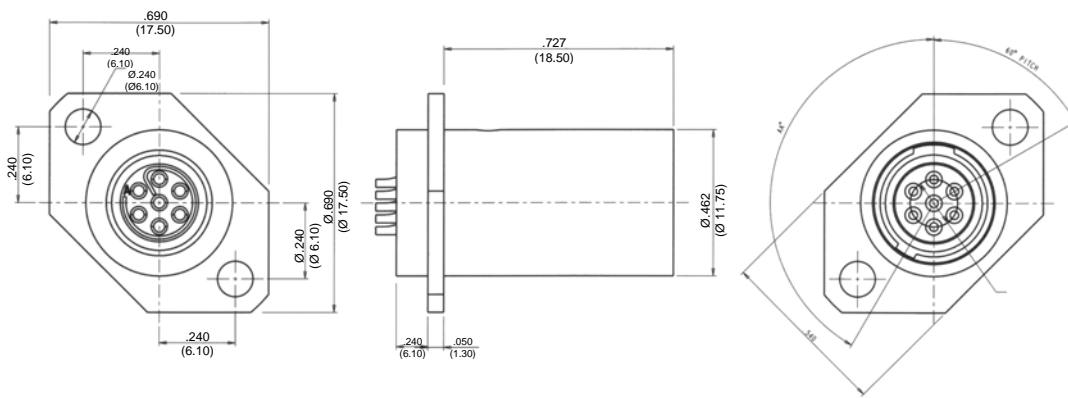
SCE-B-20A06-XXPX-001

**2 Hole Mount Receptacle
PCB Contacts**



SCE-B-20A06-XXPX-002

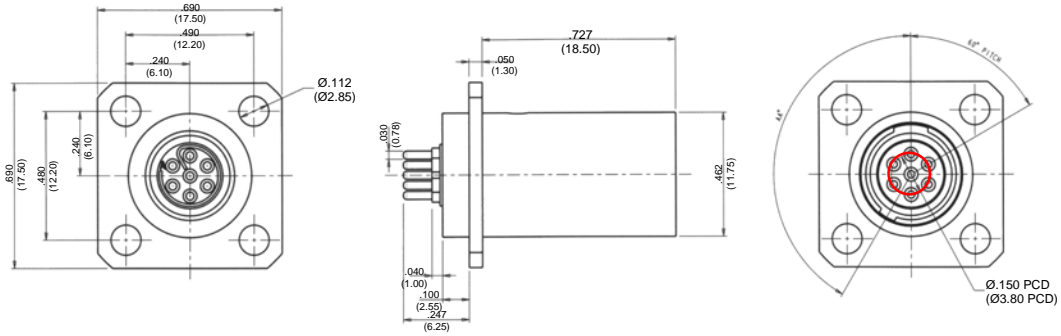
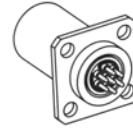
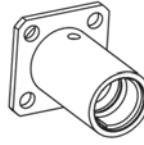
**2 Hole Mount Receptacle
PCB Contacts**



SCE Table of Styles

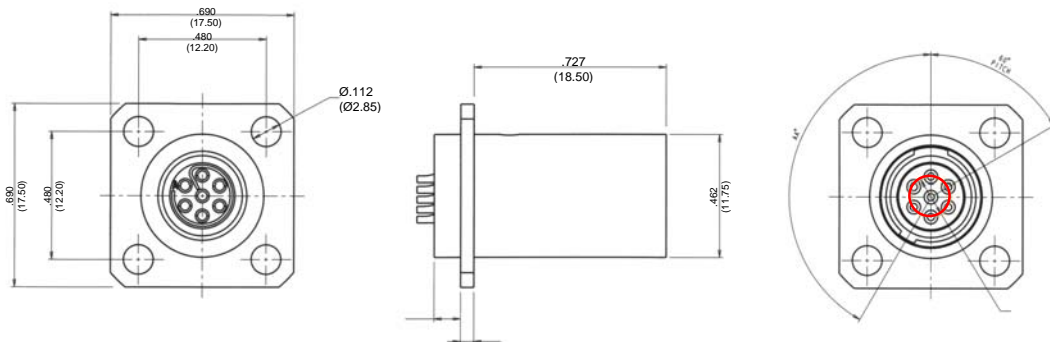
SCE-B-00A06-XXPX-001

**4 Hole Mount Receptacle
PCB Contacts**

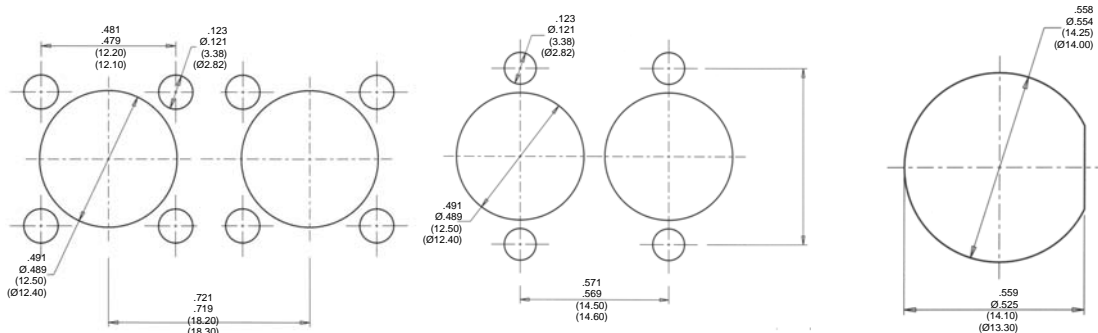


SCE-B-00A06-XXPX-002

**4 Hole Mount Receptacle
Solder Bucket Contacts**



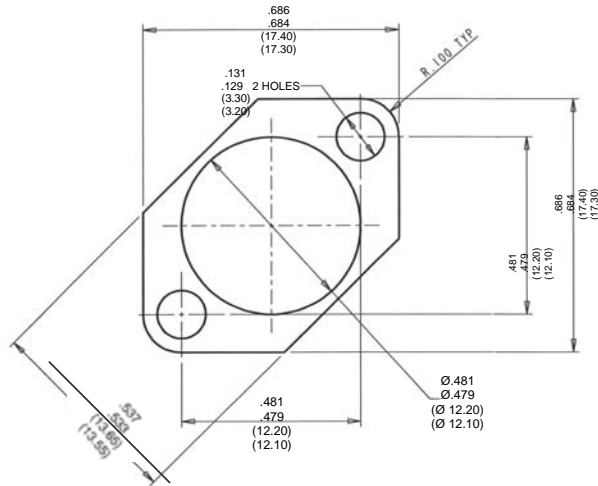
Panel Mounting Details – Shell Size 06



SCE Table of Styles

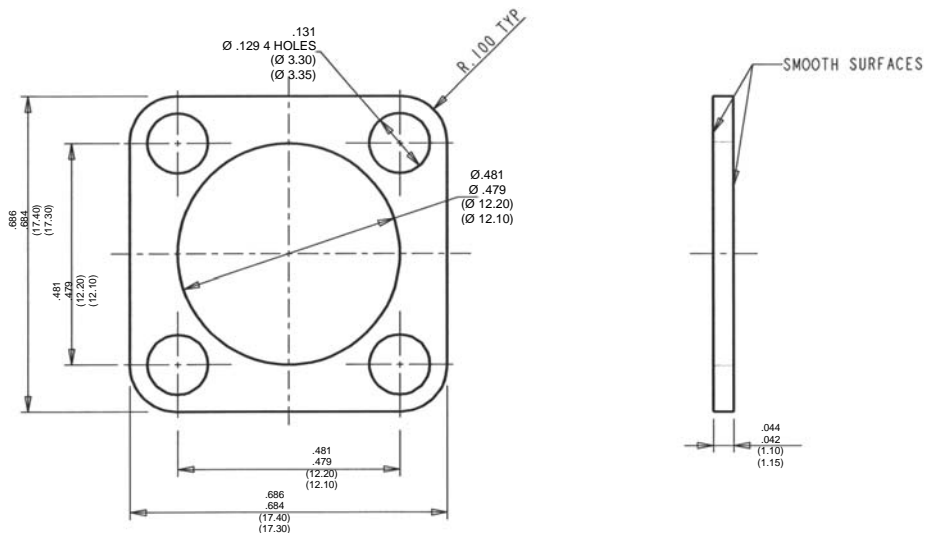
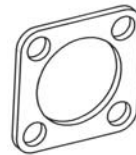
390-0120-01

**2 Hole Gasket
for 2 Hole Mount Plug**



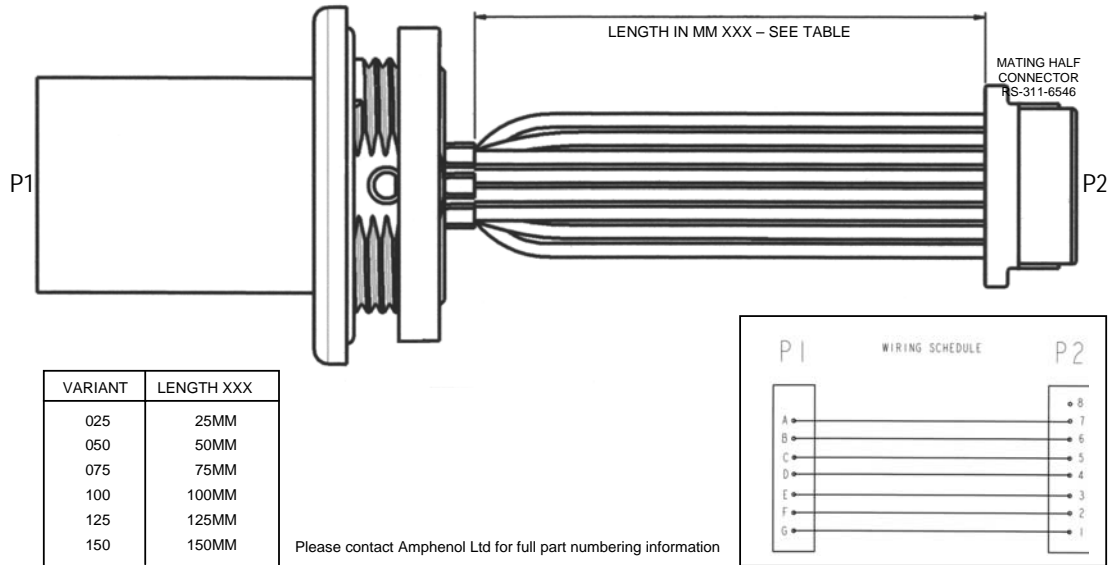
390-0121-01

**4 Hole Gasket
for 4 Hole Mount Plug**



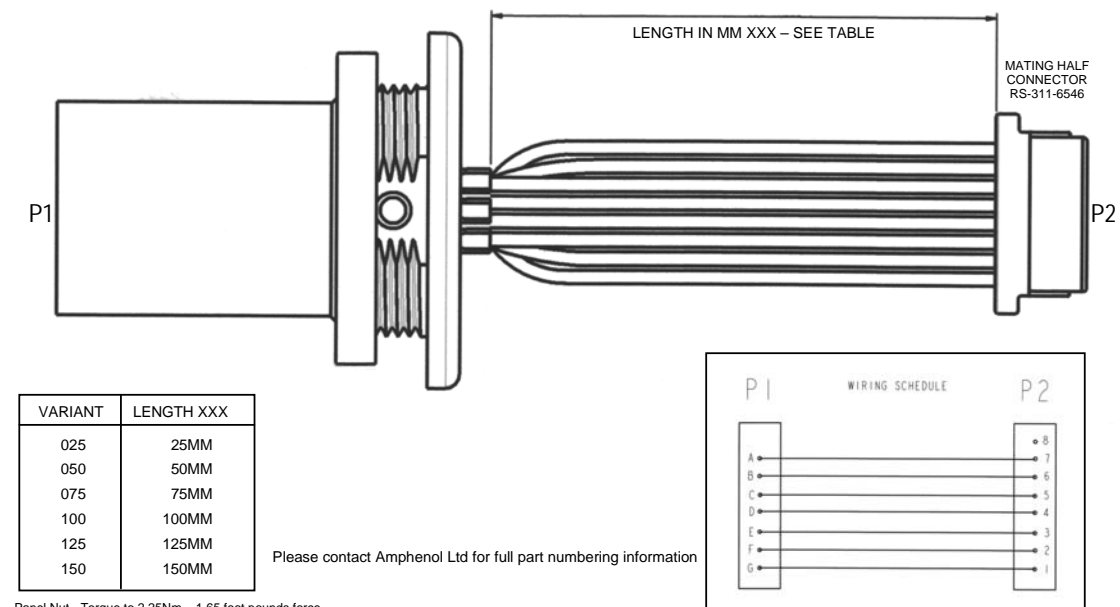
SCE Table of Styles

20GB-SCE-6XXX-XXX Front Mount Jam Nut Receptacle to Header Assembly





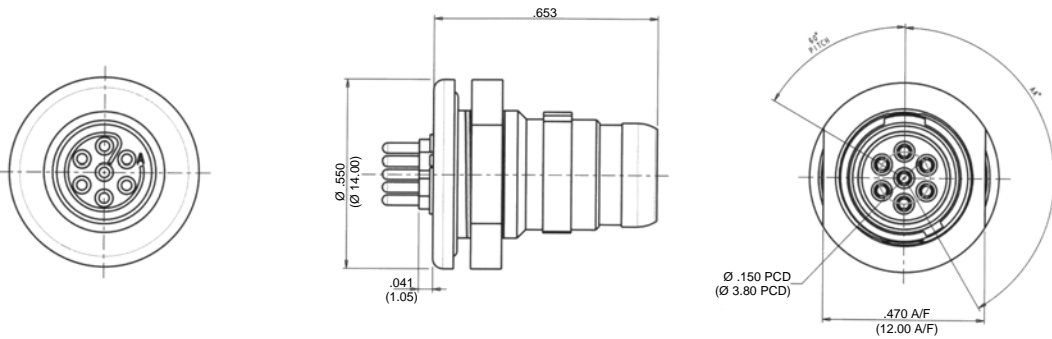
Panel Nut - Torque to 2.25Nm = 1.65 foot pounds force



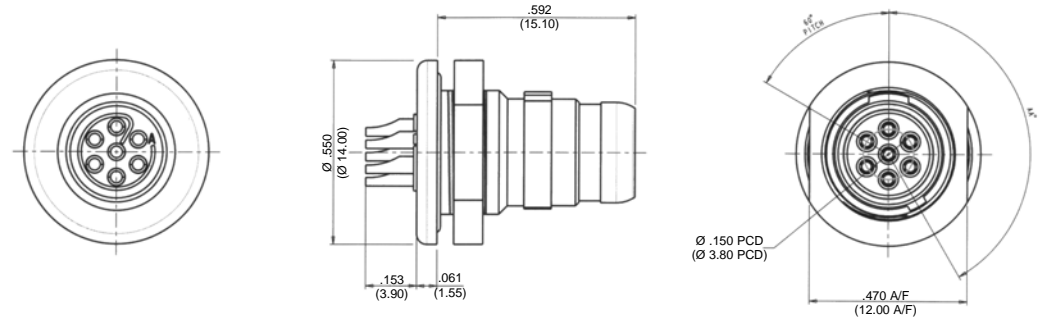
20GB-SCE-6XXX-XXX Rear Mount Jam Nut Receptacle to Header Assembly



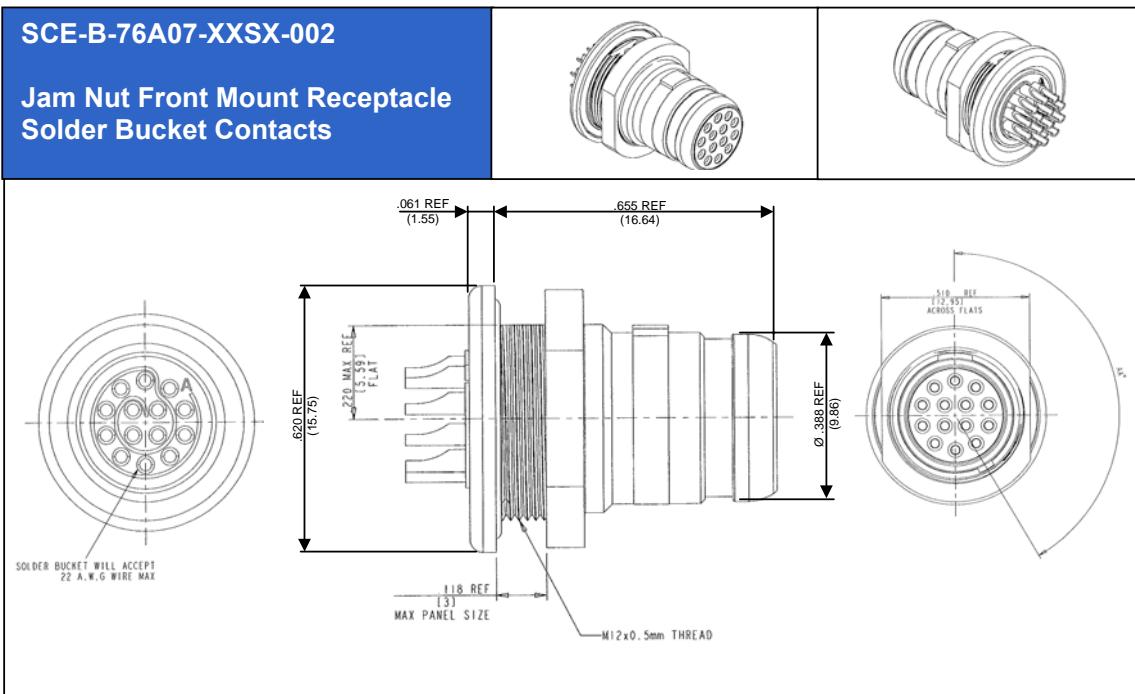
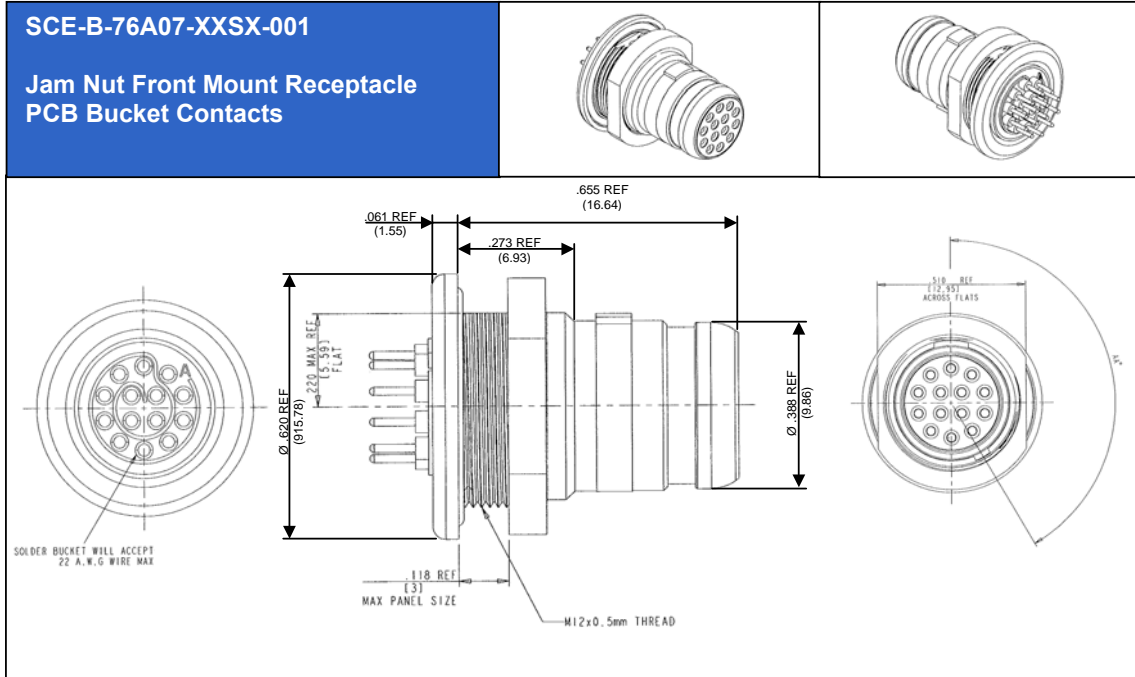
Panel Nut - Torque to 2.25Nm = 1.65 foot pounds force

SCE Table of Styles – Up to 7 Ways



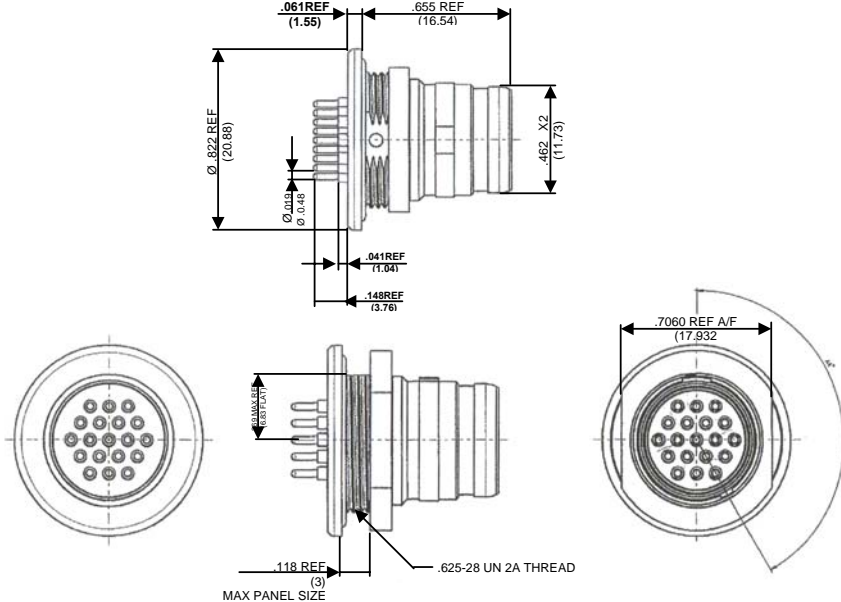
<p>SCE-X-76A06-XXSX-001</p> <p>Rear Mount Plug PCB Contacts</p>		
 <p>Technical drawing details for SCE-X-76A06-XXSX-001:</p> <ul style="list-style-type: none"> Front View: Shows 6 contacts arranged in a circle. Side View: Shows a total length of 653. Contact length is 0.550 (14.00). Contact thickness is .041 (1.05). Rear View: Shows a diameter of .470 A/F (12.00 A/F) and a pitch diameter of Ø .150 PCD (Ø 3.80 PCD). 		



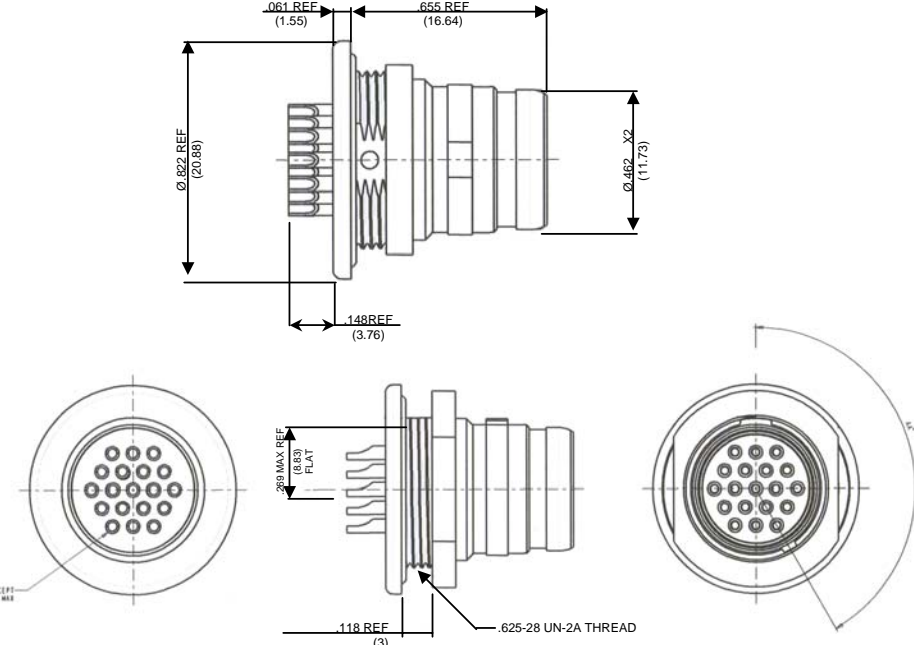
<p>SCE-X-76A06-XXSX-002</p> <p>Rear Mount Plug Solder Bucket Contacts</p>		
 <p>Technical drawing details for SCE-X-76A06-XXSX-002:</p> <ul style="list-style-type: none"> Front View: Shows 6 contacts arranged in a circle. Side View: Shows a total length of .592 (15.10). Contact length is 0.550 (14.00). Contact thickness is .153 (3.90). Contact width is .061 (1.55). Rear View: Shows a diameter of .470 A/F (12.00 A/F) and a pitch diameter of Ø .150 PCD (Ø 3.80 PCD). 		

SCE Table of Styles – Up to 14 Ways



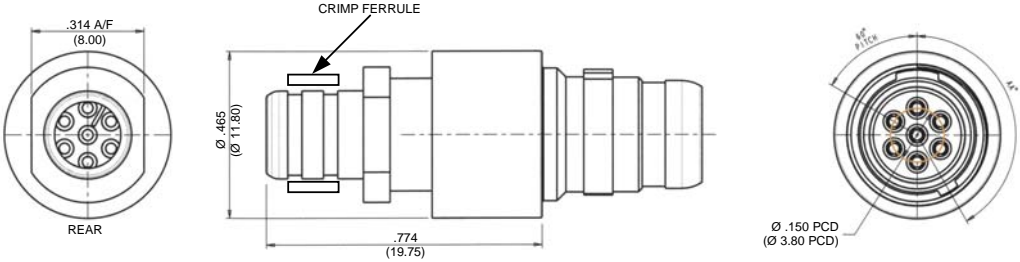


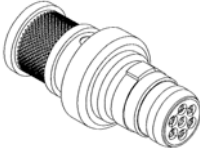
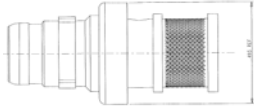
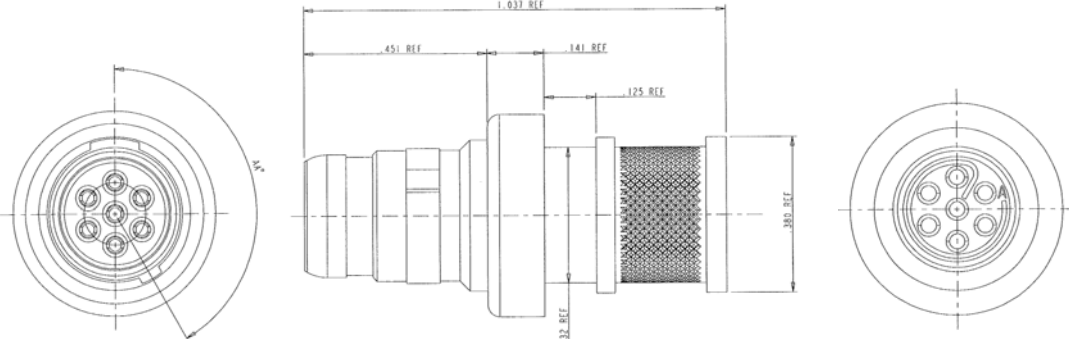
SCE Table of Styles – Up to 19 Ways

<p>SCE-B-76A08-19SX-001</p> <p>Jam Nut Front Mount Receptacle PCB Bucket Contacts</p>		
		

<p>SCE-B-76A08-19SX-002</p> <p>Jam Nut Front Mount Receptacle Solder Bucket Contacts</p>		
 <p style="font-size: small; margin-top: 10px;">SOLDER BUCKET WILL ACCEPT 22 AWG WIRE MAX</p>		

SCE Table of Styles – Up to 7 Ways

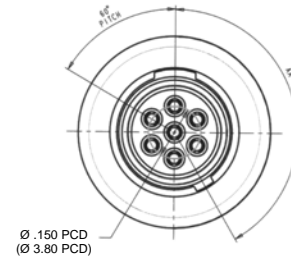
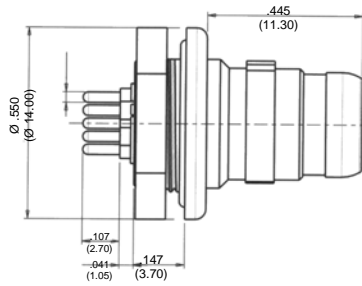
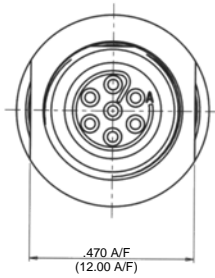
<p>SCE-X-06T06-XXSX-003</p> <p>In Line Plug Solder Bucket Contacts only (complete with Backshell)</p>		
 <p>Technical drawing details for SCE-X-06T06-XXSX-003:</p> <ul style="list-style-type: none"> Rear view: Outer diameter $\varnothing .314$ A/F (8.00) Side view: Total length $.774$ (19.75); Ferrule diameter $\varnothing .465$ (11.80); Ferrule length $.125$ (3.18) Front view: Contact pitch $\varnothing .150$ PCD ($\varnothing 3.80$ PCD) 		

<p>SCE-B-06K06-XXPX</p> <p>In Line Plug Integral Backshell, Solder Bucket Contacts Shell Size 06</p>		
 <p>Technical drawing details for SCE-B-06K06-XXPX:</p> <ul style="list-style-type: none"> Side view: Total length 1.037 REF; Contact length $.451$ REF; Backshell length $.141$ REF; Backshell thickness $.125$ REF; Shell diameter $.388$ REF; Shell thickness $.332$ REF 		

SCE Table of Styles – Up to 7 Ways

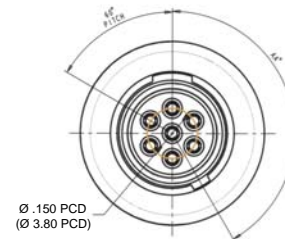
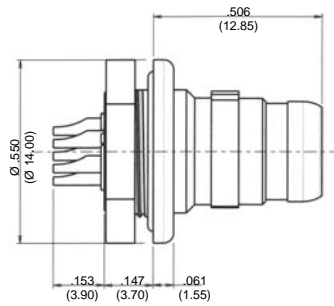
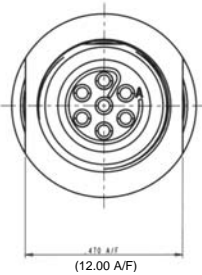
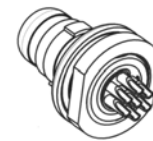
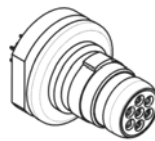
SCE-X-67A06-XXSX-001

**Front Mount Plug
PCB Contacts**



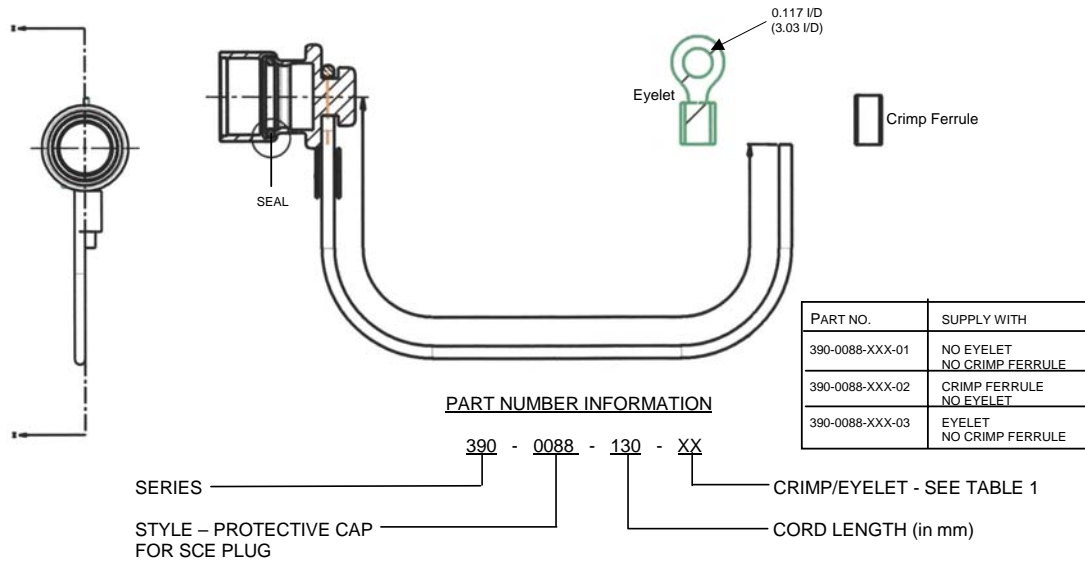
SCE-X-67A06-XXSX-002

**Front Mount Plug
Solder Bucket Contacts**



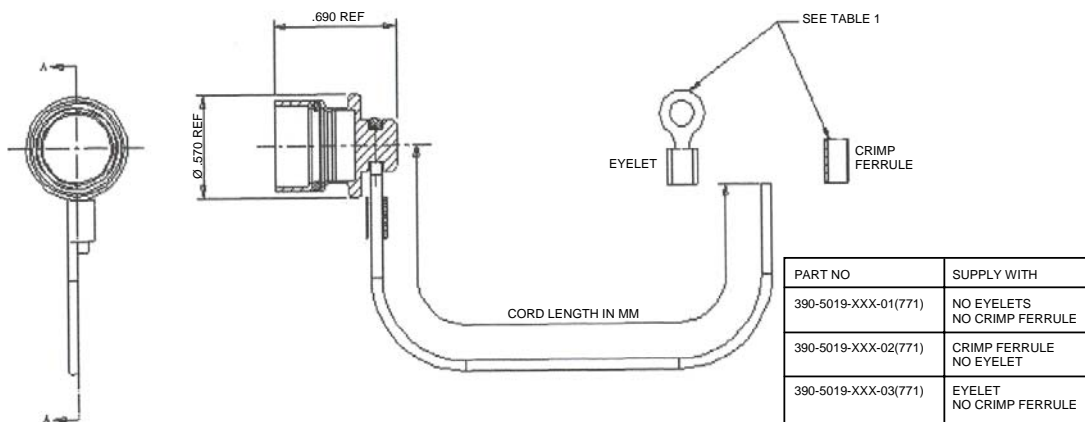
SCE Table of Styles

390-0088-130-XX
Plug Dust Cap and Cord
 Will suit Plugs
 Shell Size 06



390-5019-XXX-XX(771)
Receptacle Dust Cap and Cord
 Will suit Snatch and Latch
 Shell Size 07

Cord is Black
 Eyelet and crimp ferrule black zinc cobalt

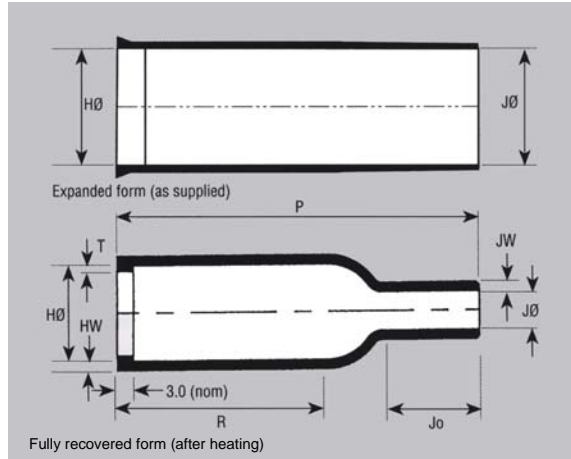


Heatshrink Boots

100 Series – Bottle Shapes with Rib – MIL Style

For use with SCE-06T and SCE-01T

We have selected Heatshrink Boots from Hellermann Tyton. Heatshrink Boots from other manufacturers may be used if appropriate.

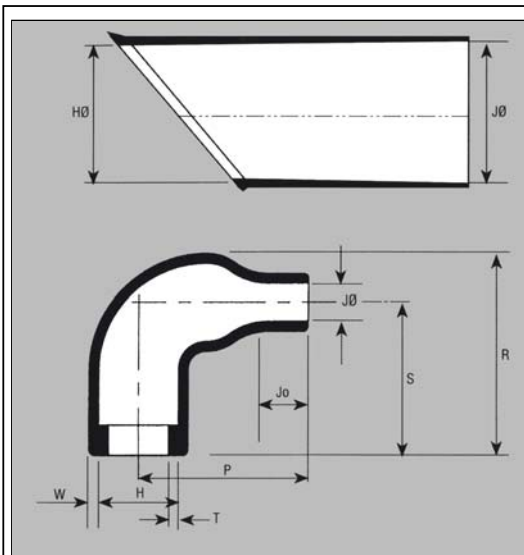


This style is used in conjunction with the backshell (see page 8) providing strain relief and environmental sealing

Dimensions apply to all materials unless otherwise indicated

Hellermann Part No	Expanded (Min)				Recovered (Max)		Recovered Dimensions Fully Shrunk					
	H	H -H matl	JØ	J -H matl	H	JØ	P ±10%	R ±10%	Jo ±10%	HW ±10%	JW ±10%	T ±10%
113-4-G-WM250	0.3976 (10.7)	0.3976 (10.7)	0.1811 (4.6)	0.1811 (4.6)	0.3110 (7.9)	0.0787 (2.0)	1.0 (25.4)	0.5709 (14.5)	0.1811 (4.6)	0.0512 (1.3)	0.0512 (1.3)	0.0394 (1.0)
104-4-G-WM250	0.6456 (16.4)	0.6456 (16.4)	0.6456 (16.4)	0.6456 (16.4)	0.3110 (7.9)	0.149 (3.8)	1.0 (25.4)	0.5590 (14.2)	0.2716 (6.9)	0.0512 (1.3)	0.0512 (1.3)	0.0394 (1.0)

1100 Series – Right Angle Shapes with Rib – MIL Style



The style provides strain relief for harness systems when used in conjunction with the backshell (see page 8)

Dimensions apply to all materials unless otherwise indicated

Hellermann Part No	Expanded (Min)		Recovered (Max)		Recovered Dimensions Fully Shrunk					
	H	JØ	H	JØ	P ±10%	R ±10%	S ±10%	Jo ±10%	W ±20%	T ±20%
1108-4-G-WM250	0.6496 (16.5)	0.6496 (16.5)	0.3110 (7.9)	0.1496 (3.8)	0.6875 (17.3)	0.7969 (20.1)	0.6005 (15.2)	0.1614 (4.1)	0.0394 (1.0)	0.0394 (1.0)
1106-4-G-WM250	0.9173 (23.3)	0.9173 (23.3)	0.4094 (10.04)	0.2204 (5.6)	0.7992 (20.3)	0.9015 (22.9)	0.6005 (15.2)	0.2283 (5.8)	0.0511 (1.3)	0.0394 (1.0)

SCE Plug to Header Cable Assemblies

20GB-SCE-6XXX-XXX Jam Nut Plug Rear Mount to Header Assembly – Solder Bucket Contacts only

VARIANT	LENGTH
025	25MM
050	50MM
075	75MM
100	100MM
125	125MM
150	150MM

WIRING SCHEDULE

P1 A * B * C * D * E * F * G *		P2 * A * B * C * D * E * F * G
---	--	---

Panel Nut - Torque to 2.25Nm = 1.65 foot lbs force Please contact Amphenol Ltd for full part numbering information

20GB- SCE-6XXX-XXX Jam Nut Plug Front Mount to Header Assembly – Solder Bucket Contacts only

VARIANT	LENGTH
025	25MM
050	50MM
075	75MM
100	100MM
125	125MM
150	150MM

WIRING SCHEDULE

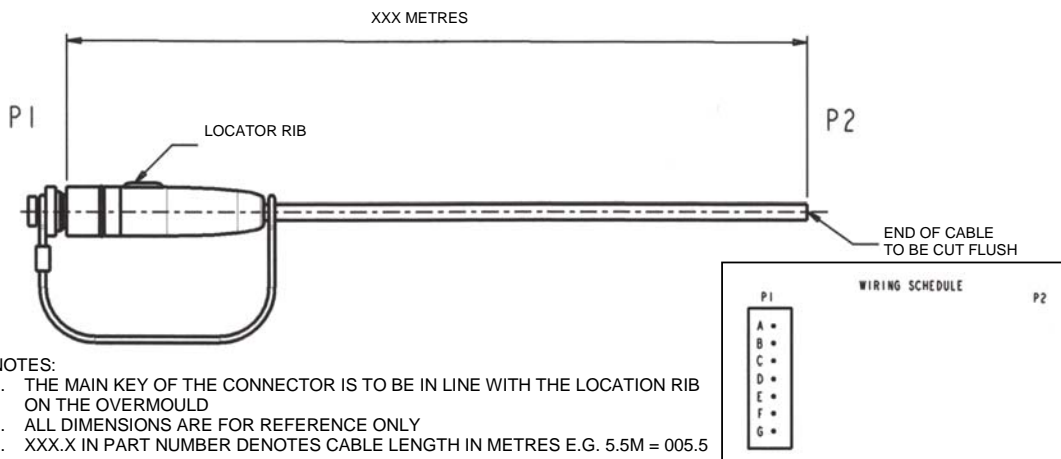
P1 A * B * C * D * E * F * G *		P2 * A * B * C * D * E * F * G
---	--	---

Panel Nut - Torque to 2.25Nm = 1.65 foot lbs force Please contact Amphenol Ltd for full part numbering information

SCE - Cable Assemblies

Amphenol Ltd can supply complete overmoulded cable harness solutions to your specifications. Please consult factory for cable number allocation.

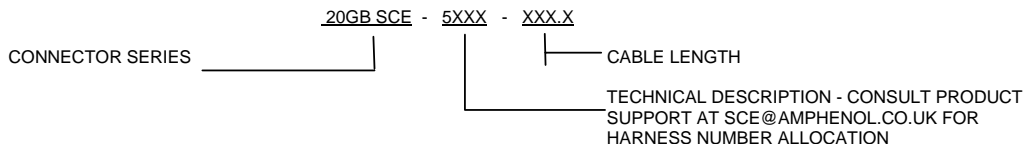
Up to 7 Way Single-Ended Receptacle Cable Assembly



NOTES:

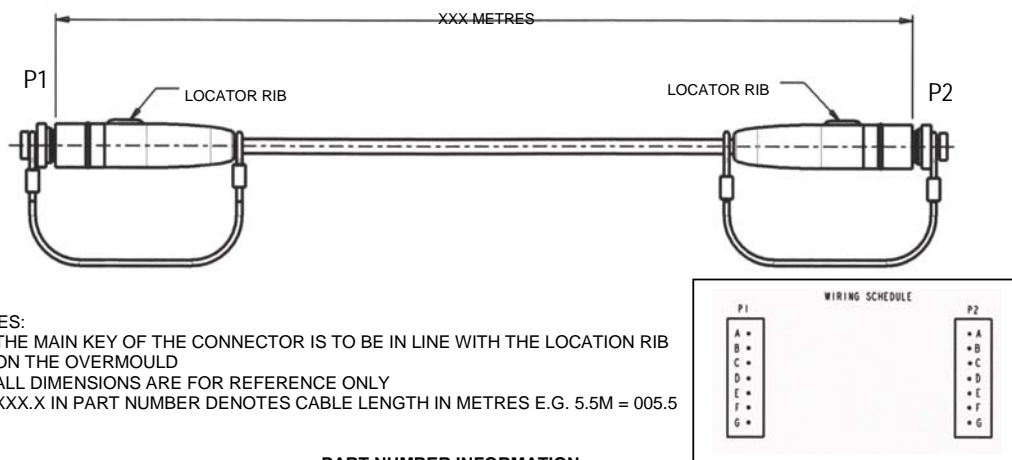
1. THE MAIN KEY OF THE CONNECTOR IS TO BE IN LINE WITH THE LOCATION RIB ON THE OVERMOULD
2. ALL DIMENSIONS ARE FOR REFERENCE ONLY
3. XXX.X IN PART NUMBER DENOTES CABLE LENGTH IN METRES E.G. 5.5M = 005.5

PART NUMBER INFORMATION



All Dimensions are for reference only (Dimensions in brackets are in mm)

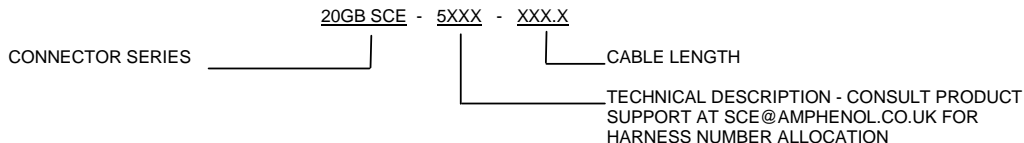
Up to 7 Way Double-Ended Receptacle to Receptacle Cable Assembly



NOTES:

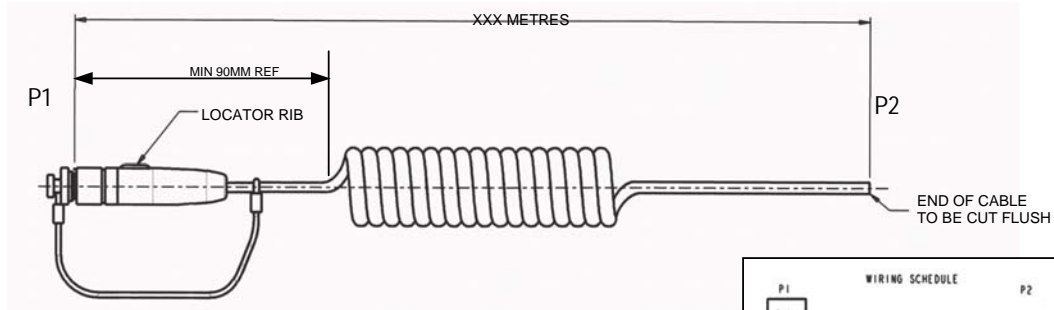
1. THE MAIN KEY OF THE CONNECTOR IS TO BE IN LINE WITH THE LOCATION RIB ON THE OVERMOULD
2. ALL DIMENSIONS ARE FOR REFERENCE ONLY
3. XXX.X IN PART NUMBER DENOTES CABLE LENGTH IN METRES E.G. 5.5M = 005.5

PART NUMBER INFORMATION



SCE - Cable Assemblies

Up to 7 Way Single-Ended Receptacle Coiled Cable Assembly

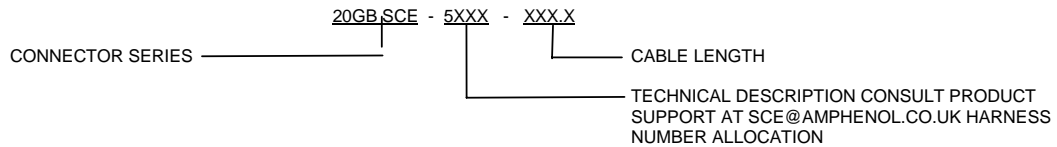


NOTES:

1. THE MAIN KEY OF THE CONNECTOR IS TO BE IN LINE WITH THE LOCATION RIB ON THE OVERMOULD
2. ALL DIMENSIONS ARE FOR REFERENCE ONLY
3. XXX.X IN PART NUMBER DENOTES CABLE LENGTH IN METRES E.G. 5.5M = 005.5

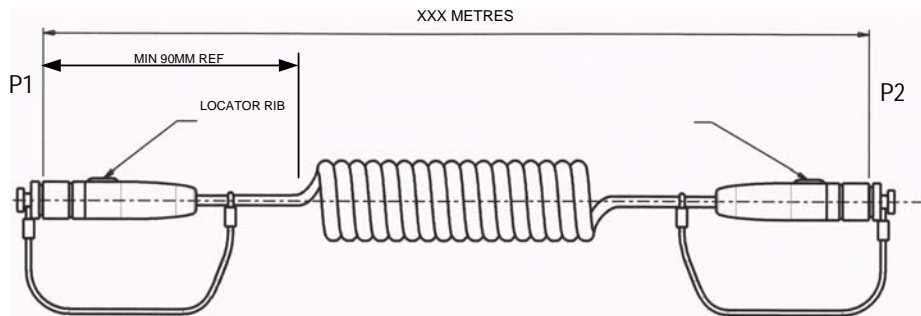
P1	WIRING SCHEDULE	P2
A *		
B *		
C *		
D *		
E *		
F *		
G *		

PART NUMBER INFORMATION



All Dimensions are for reference only
(Dimensions in brackets are in mm)

Up to 7 Way Double-Ended Receptacle to Receptacle Coiled Cable Assembly

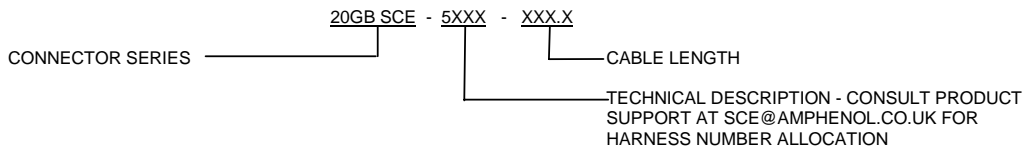


NOTES:

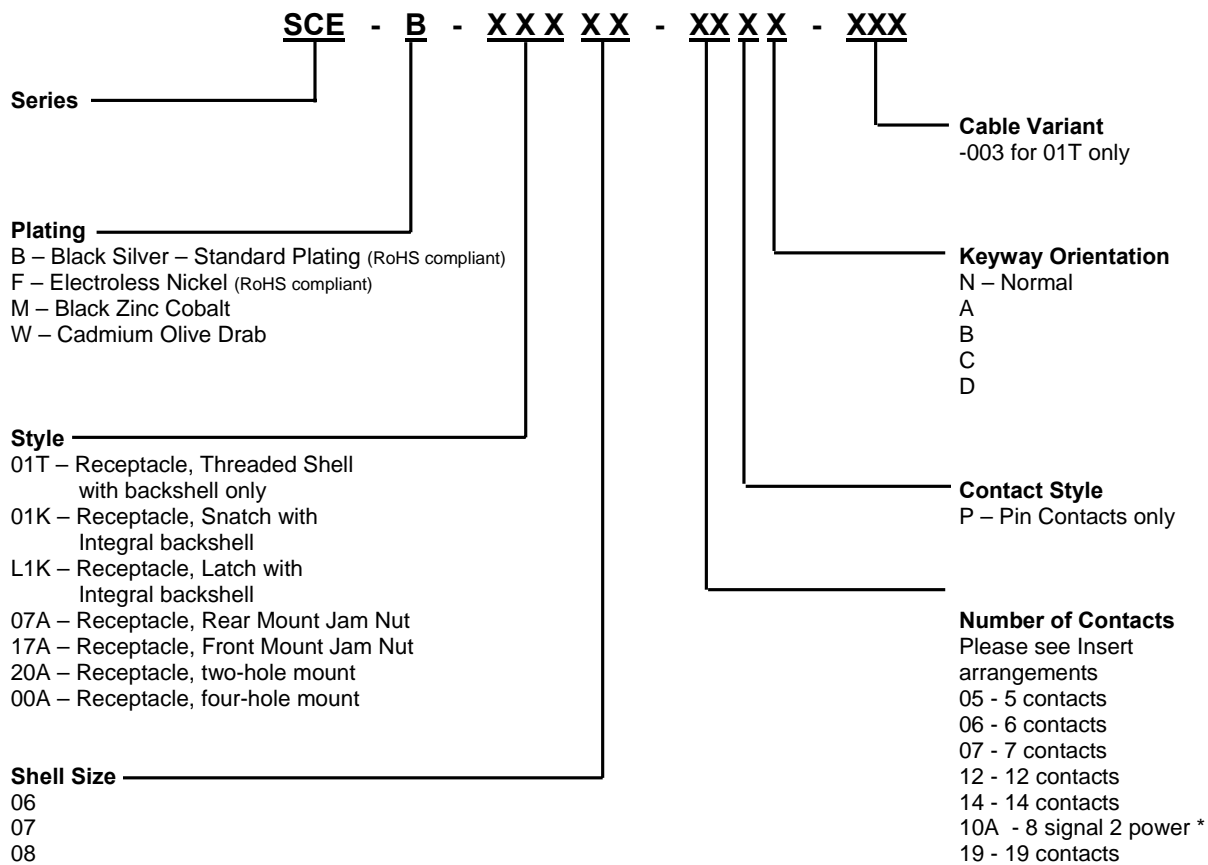
1. THE MAIN KEY OF THE CONNECTOR IS TO BE IN LINE WITH THE LOCATION RIB ON THE OVERMOULD
2. ALL DIMENSIONS ARE FOR REFERENCE ONLY
3. XXX.X IN PART NUMBER DENOTES CABLE LENGTH IN METRES E.G. 5.5M = 005.5

P1	WIRING SCHEDULE	P2
A *		*A
B *		*B
C *		*C
D *		*D
E *		*E
F *		*F
G *		*G

PART NUMBER INFORMATION



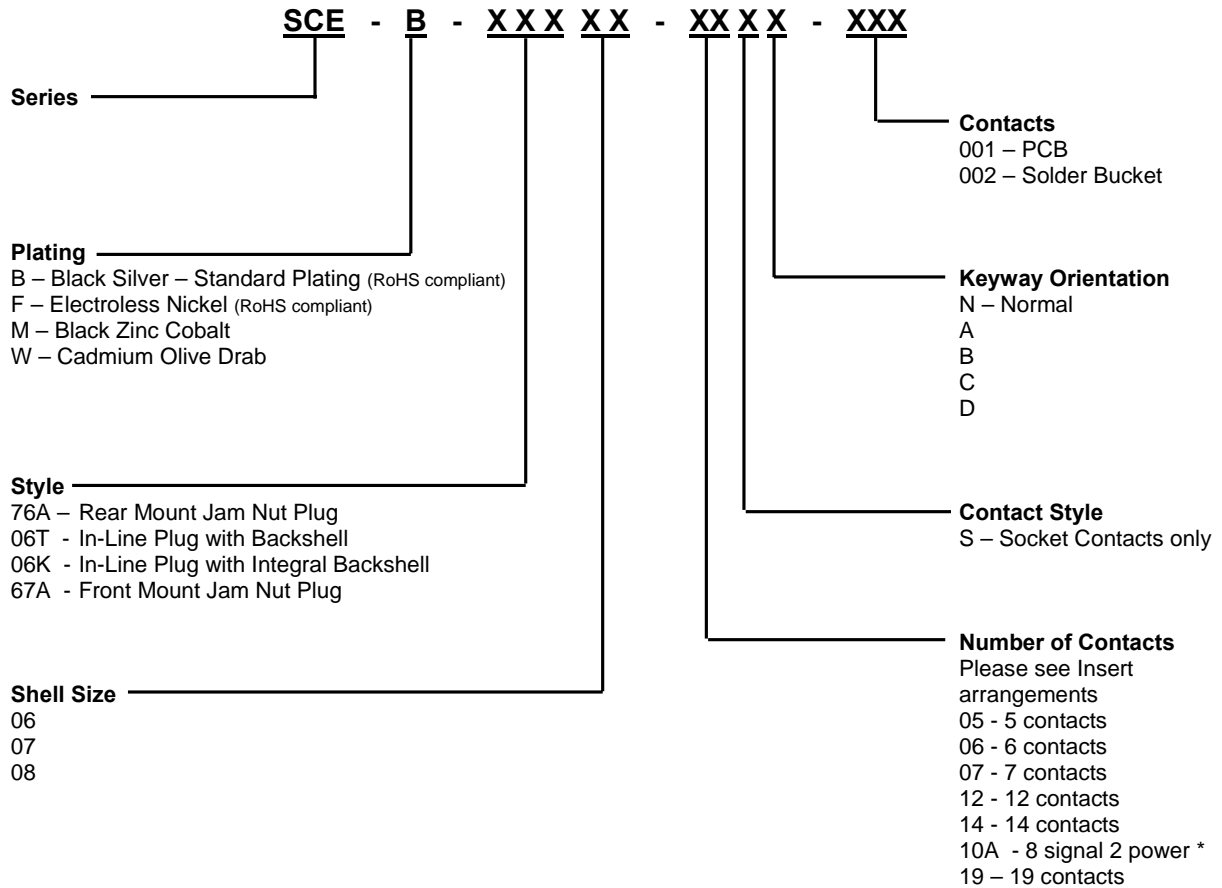
SCE Connector Part Numbers – Receptacles only



* Please consult factory.

Note: If ordering 01K and L1K receptacles, please omit the cable variant from the part number.

SCE Connector Part Numbers – Plugs only



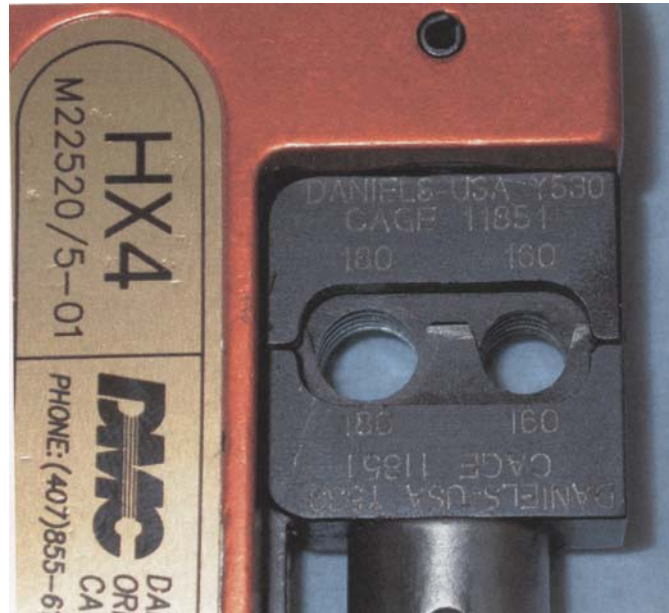
* Please consult factory.

Note: For castellated panel nut, please add (981) at the end of plug part number

SCE Crimp Tool

For Braid Termination Style 003

Crimp the Braid into place so that the ferrule butts up against the shoulder of the backshell. Use crimp tool Daniels HX4 M22520/5-01 handle, crimp die set Daniels Y530 CAGE 11851 at setting 180.



July 2006

Notice: Products are sold subject to Amphenol's Standard Conditions of Sale. All specifications and statements contained herein are believed to be correct at the time of printing but no representation or warranty, express or implied, is given as to any specification or statement contained herein. Product specifications including performance characteristics are typical only and subject to deviation. Specifications are also subject to change without notice. Users should not assume that all safety measures are indicated or that other measures may not be required. No representation or warranty, express or implied, is given that any use of products (including any stated or suggested use) does not infringe any patent, registered design or other third party rights and no stated or suggested use of products can be taken to recommend any such infringement.

Amphenol

Thanet Way, Whitstable, Kent. CT5 3JF Tel: 01227 773200 Fax: 01227 276571