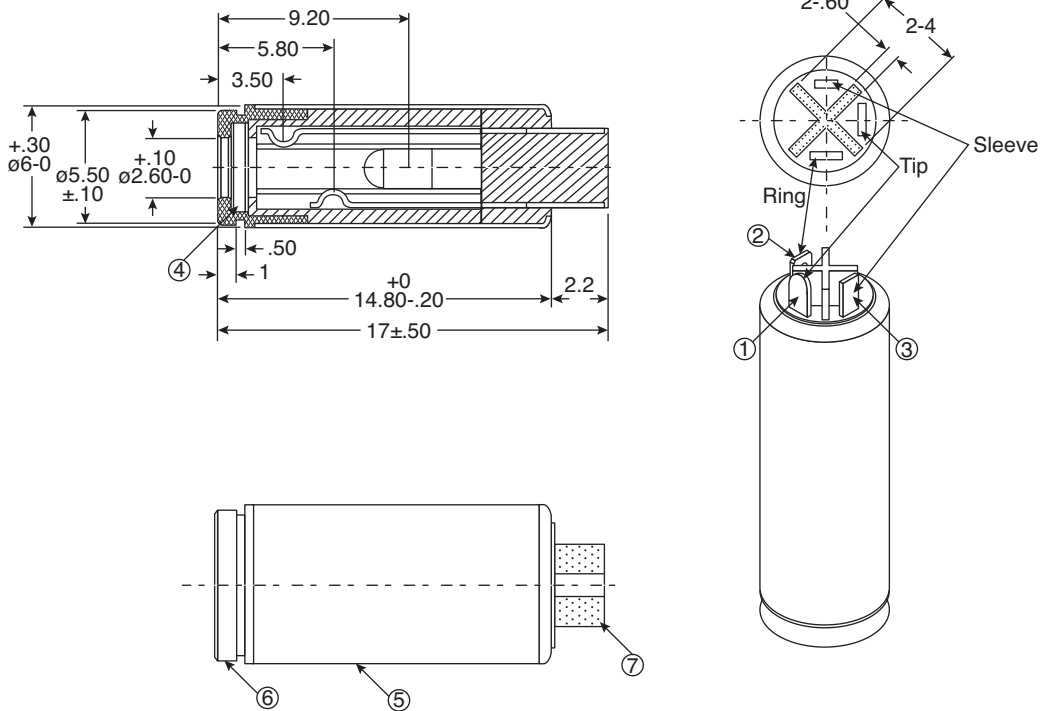


4 Conductor 2.5mm Jack

161-J2460-EX



4 Conductor 2.5mm Jack



Dimensions: mm

MATERIAL SPECIFICATIONS:	
No.	Material
1	P-Bronze Gold
2	P-Bronze Gold
3	P-Bronze Gold
4	P-Bronze Gold
5	Brass Nickel
6	Brass Nickel
7	PBT Black

RoHS Compliant by Exemption

Date Last Revised: 10/21/09

Available from Mouser Electronics
1-800-346-6873 / www.mouser.com

KC-301376

161-J2460-EX

Specifications are subject to change without notice. No liability or warranty implied by this information. Environmental compliance based on producer documentation.