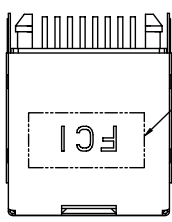


Tous droits strictement réservés. Reproduction ou communication à des tiers interdite sous quelque forme que ce soit sans autorisation écrite du propriétaire. Propriété de FCI. Droits de reproduction FCI.

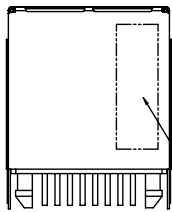
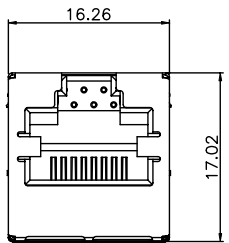


All rights strictly reserved. Reproduction or issue to third parties in any form whatever is not permitted without written authority from the proprietor. Property of FCI. Copyright FCI.

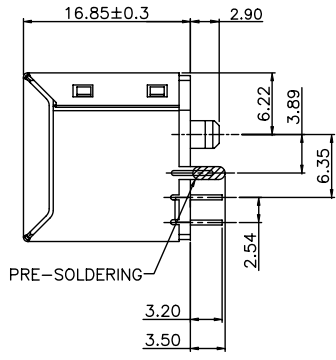
PART NO.
10085078-XXXLF



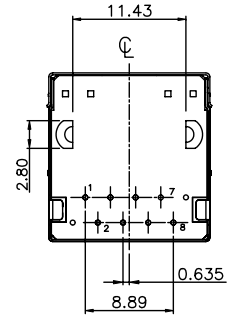
SEE NOTE 9



PRINT P/N & DATE CODE
SEE NOTE 10



PRE-SOLDERING



mat'l. code				tolerances unless otherwise specified		CUSTOMER COPY	FCI www.fciconnect.com	
ltr	ecn no	dr	date	linear	.X ± 0.30	projection	title	RJ45 1x1 STRAIGHT TYPE TRANSFORMER 10/100(8P)
A	T08-1054	WL	03/26/08		.XX ± 0.20			
B	T09-1129	WL	09/29/09	angles	.XXX ± 0.10	MM	product family	JACK SERIES
					0° ±2'			
				dr	WENDY CHEN 03/26/08	scale	size	A4
				enrg	WENDY CHEN 03/26/08			
				chr	WENDY CHEN 03/26/08	10085078	dwg no	code
				appd	ALEX LIANG 03/26/08			
sheet index	revision sheet	B 1	B 2	B 3				TWN 1 of 3

ACAD PDM: Rev:B 3 STATUS Released 20101006 cage code 22526 Oct 06, 2009 4

NOTES:

- MATERIALS :
SHELL : STAINLESS STEEL, T=0.20mm
HOUSING: HIGH THERMOPLASTIC, UL 94V-0
RJ CONTACT : COPPER ALLOY, T=0.30mm
MODULE: PHENOLIC UL94V-0.
INPUT PIN: COPPER WIRE
- PLATING
RJ CONTACT : 50u" MIN. NICKEL UNDER PLATED OVER ALL.
100u" MIN. MATTE TIN ON SOLDERING AREA.
SELECTIVE GOLD PLATED ON CONTACT AREA.
INPUT PIN: TIN COATED COPPER WIRE
SHELL : PRE-SOLDERING ON SHELL GROUNDING LEG
- MECHANICAL CHARACTERISTICS :
INSERTION FORCE : 22N MAX.
REMOVAL FORCE(WITHOUT PLUG LOCK) : 22N MAX.
DURABILITY : 1000 TIMES
- OPERATING TEMPERATURE : 0°C ~ 70°C
- PRODUCT PERFORMANCE PER SPEC. : GS-12-535.
- PACKING SPEC. : GS-14-1242.
- THIS PRODUCT MEETS THE EUROPEAN UNION DIRECTIVE AS DESCRIBED IN GS-22-008.
- THE HOUSING WILL WITHSTAND EXPOSURE TO 265°C PEAK TEMPERATURE FOR 5 SECONDS IN A WAVE SOLDER APPLICATION WITH A CIRCUIT BOARD.
- "FCI" LOGO IS STAMPED ON THIS AREA.
- "DATE CODE" DESCRIPTION:

XX XX
WEEK
YEAR (EX.: 08--2008)

11. PART NUMBER DESCRIPTION:

10085078-X X X LF

LED COLOR CODE:

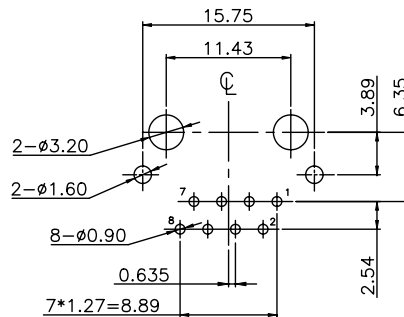
1: WITHOUT LED

TRANSFORMER SPEED :

0: 10/100 BASE-T
LED POLARITY: NORMAL
WITHOUT RESISTOR

RJ CONTACT AREA PLATING:

1 : 15u" GOLD



RECOMMENDED PCB LAYOUT (COMPONENT SIDE)
ALL DIMENSION TOLERANCE ARE ±0.05mm

mat'l. code				tolerances unless otherwise specified		CUSTOMER COPY		FCI		www.fciconnect.com	
ltr	ecn no	dr	date	linear	.X ± 0.30	projection	title	RJ45 1x1 STRAIGHT TYPE TRANSFORMER 10/100(BP)			
B				angles	.XX ± 0.20			product family		JACK SERIES	code
				dr	.XXX ± 0.10			MM	size		dwg no
				enrg	0° ±2'	scale	A4	10085078		sheet	2 of
				chr	WENDY CHEN 03/26/08						
				appd	WENDY CHEN 03/26/08						
					ALEX LIANG 03/26/08						
sheet index	revision										
	sheet										

ACAD

PDM: Rev:B

STATUS Released 2008 Oct 06, 2009

cage code 22526

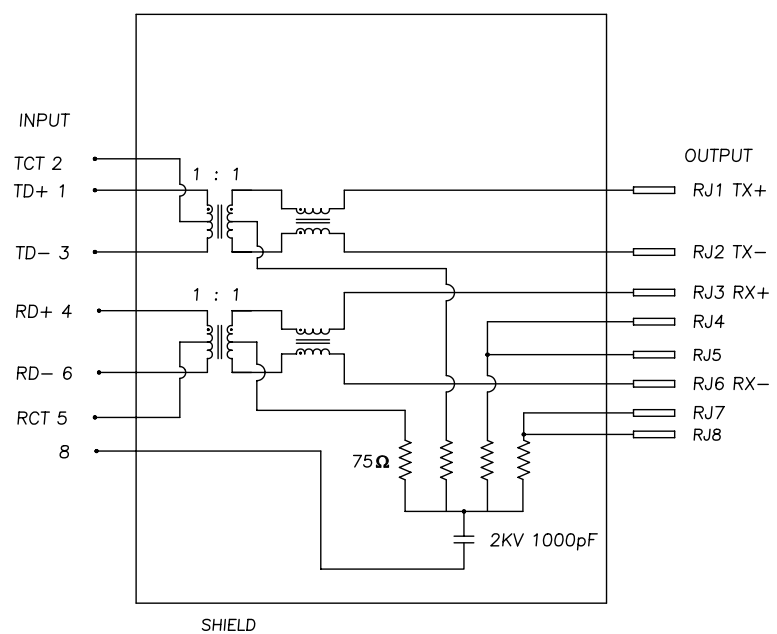
All rights strictly reserved. Reproduction or issue to third parties in any form whatever is not permitted without written authority from the proprietor. Property of FCI. Copyright FCI.



Tous droits strictement réservés. Reproduction ou communication à des tiers interdite sous quelque forme que ce soit sans autorisation écrite du propriétaire. Propriété de FCI. Droits de reproduction FCI.

1 | 2 | 3 | 4

ELECTRIC SCHEME



Transmitter & Receiver Filter:

1. Insertion Loss (dB MAX)
1~100MHz -1.0
2. Return Loss at 100W(dB MIN)
1~30MHz -18
30~60MHz -16
60~80MHz -12
3. Common Mode Rejection@ 1~100 MHz: -30dB MIN
4. Cross Talk@1~100 MHz: -35dB MIN
5. Inductance@100KHz/ 0.1V, 8mA DC BIAS: 350uH MIN
6. HiPot Test: 1500Vrms(or 2250VDC), 60sec
7. LED: Forward Voltage (V)@ 20mA
Typical :2.2 / MAX :2.6

mat'l. code				tolerances unless otherwise specified		CUSTOMER COPY		FCI www.fciconnect.com	
ltr	ecn no	dr	date	linear	.X ± 0.30	projection 	title RJ45 1x1 STRAIGHT TYPE TRANSFORMER 10/100(BP)		
B					.XX ± 0.20				
					.XXX ± 0.10				
				angles	0° ±2'	← MM →	product family JACK SERIES		code TWN
				dr	WENDY CHEN 03/26/08		size dwg no		sheet 3 of
				enrg	WENDY CHEN 03/26/08		10085078		
				chr	WENDY CHEN 03/26/08		scale A4		
				appd	ALEX LIANG 03/26/08				
sheet index	revision sheet								

1 | 2 | 3 | 4

ACAD PDM: Rev:B STATUS Released cage code 22526 Oct 06, 2009