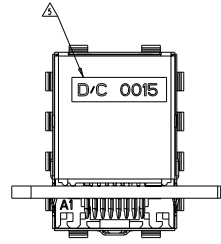
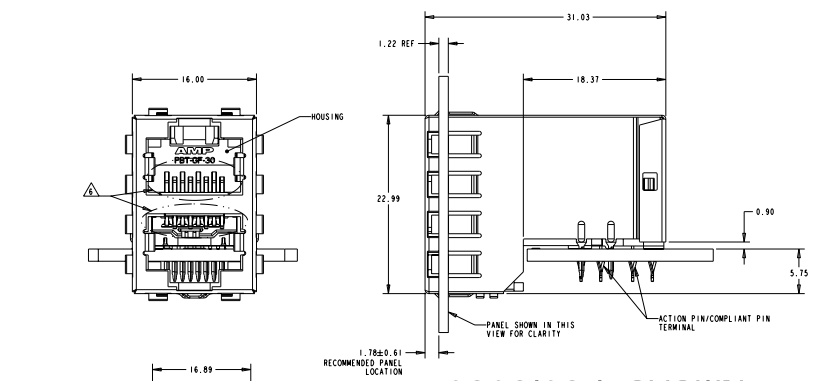
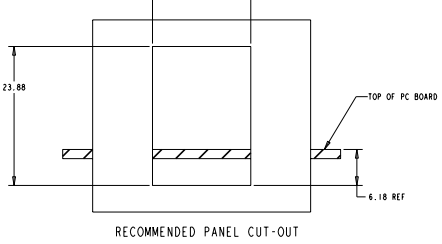


REV	DATE	DESCRIPTION	BY	CHK	APP
AA	00	F REV PER ECR-10-009767	MM2018	DZ	ST

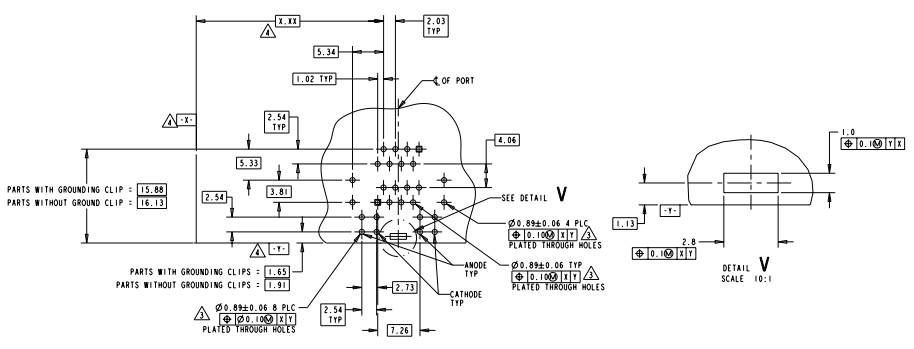
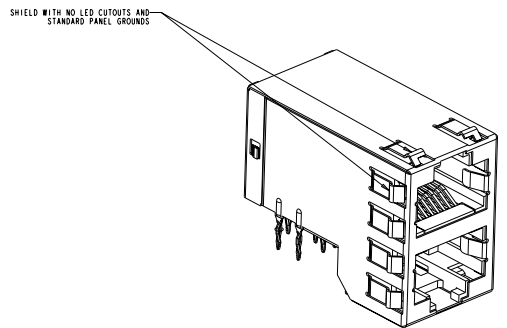


6368168-1 SHOWN SHEET 1

- MATERIAL:
 HOUSING - PBT POLYESTER, BLACK, UL 94V-0
 TERMINALS - 0.33 THICK PHOS BRONZE PLATED WITH 1.27um MINIMUM THICK HARD GOLD IN LOCALIZED AREA AND 2um MINIMUM THICK MATTE TIN IN ACTION PIN COMPLIANT PIN TERMINAL AREA OVER 1.27um MINIMUM THICK NICKEL UNDERPLATE
 SHIELD - 0.25 THICK COPPER ALLOY PLATED WITH 2.03um MINIMUM BRIGHT TIN OVER 1.27um MINIMUM NICKEL
 GROUNDING CLIP - 2.03 um MIN MATTE TIN OVER COPPER, PRE-PLATED COPPER ALLOY
 LED - DIFFUSED EPOXY LENS 2.29 um SILVER OVER NICKEL PRE-PLATED CARBON STEEL LEADS
 ACTION PIN - COMPLIANT PIN CONTACTS 0.3 THICK BRASS PLATED WITH 2-4um BRIGHT TIN.
 JACK CAVITY CONFORMS TO FCC RULES AND REGULATIONS, PART 68 SUBPART F.
 2. JACK CAVITY CONFORMS TO FCC RULES AND REGULATIONS, PART 68 SUBPART F.
- ⚠ DRILLED HOLE DIA = 1.029±0.025
 - ⚠ COPPER THICKNESS = 0.025±0.015
 - ⚠ TIN-LEAD THICKNESS = .008
 - ⚠ DATUMS AND BASIC DIMENSIONS ESTABLISHED BY CUSTOMER
 - ⚠ DATE CODE LOCATED ON REAR OF PART APPROXIMATELY AS SHOWN
 - ⚠ CONTACTS ARE NOT INTENDED TO BE ALIGNED WITH EACH OTHER
 - ⚠ OBSOLETE PARTS: OBSOLETE CIS STREAMLINING PER D.RENAUD/D.SINISI
 - ⚠ ONLY FOR 6368168-7 CONTACT AREA LUBRICATED WITH BELLCORE APPROVED LUBRICANT. TECHNICAL REFERENCE UR-1211-CORE ISSUE 1, NOVEMBER 1995.



RECOMMENDED PANEL CUT-OUT



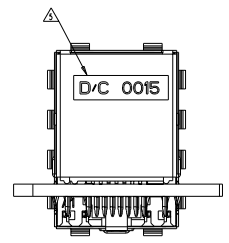
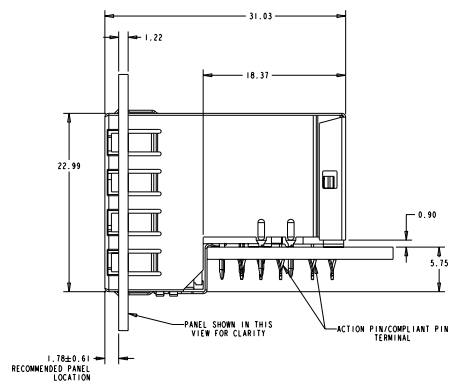
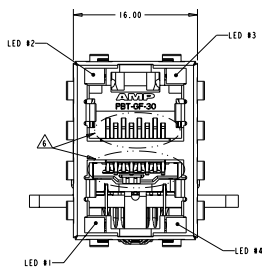
PC BOARD LAYOUT (COMPONENT SIDE)

LED #4	LED #3	LED #2	LED #1	GROUNDING CLIP	SHIELD STYLE	PART NUMBER
GREEN	GREEN	GREEN	GREEN	NO	WITH LED PORTS	6368168-7
GREEN	GREEN	YELLOW	YELLOW	YES	WITH LED PORTS	6368168-6
GREEN	GREEN	GREEN	GREEN	YES	WITH LED PORTS	6368168-5
YELLOW	YELLOW	GREEN	GREEN	YES	WITH LED PORTS	6368168-4
N/A	N/A	N/A	N/A	YES	WITHOUT LED PORTS	6368168-2
N/A	N/A	N/A	N/A	NO	WITHOUT LED PORTS	6368168-1

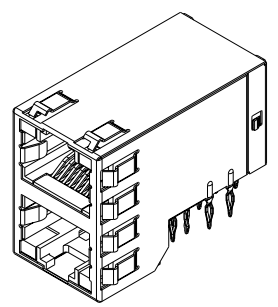
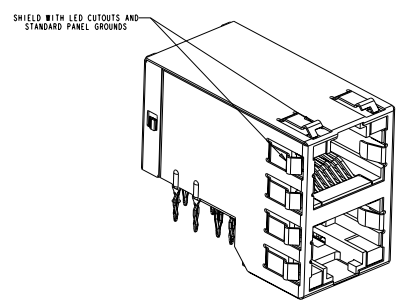
DATE: 07/2005	REV: 001	DATE: 07/2005	REV: 001
DESIGNED BY: [Signature]	DESIGNED BY: [Signature]	DESIGNED BY: [Signature]	DESIGNED BY: [Signature]
CHECKED BY: [Signature]	CHECKED BY: [Signature]	CHECKED BY: [Signature]	CHECKED BY: [Signature]
DATE: 07/2005	REV: 001	DATE: 07/2005	REV: 001
DATE: 07/2005	REV: 001	DATE: 07/2005	REV: 001
DATE: 07/2005	REV: 001	DATE: 07/2005	REV: 001

DATE SHOWN IN DIMENSIONS RECEIVED FOR FABRICATION
 © 2005 TTD Electronics Corporation. ALL RIGHTS RESERVED.

REV	DATE	REVISIONS	BY	CHK	APP
AA	00	SEE SHEET 1			



**6368168-6 SHOWN
SHEET 2**



DATE: 07/20/2005 DRAWN BY: [blank] CHECKED BY: [blank] APPROVED BY: [blank]	DATE: 07/20/2005 DRAWN BY: [blank] CHECKED BY: [blank] APPROVED BY: [blank]	DATE: 07/20/2005 DRAWN BY: [blank] CHECKED BY: [blank] APPROVED BY: [blank]	DATE: 07/20/2005 DRAWN BY: [blank] CHECKED BY: [blank] APPROVED BY: [blank]	DATE: 07/20/2005 DRAWN BY: [blank] CHECKED BY: [blank] APPROVED BY: [blank]	DATE: 07/20/2005 DRAWN BY: [blank] CHECKED BY: [blank] APPROVED BY: [blank]
TTD Electronics Corporation Harrisburg, PA 17105-3600			STACKED MODULAR JACK ASSEMBLY, 2X1: 8 POSITION, SHIELDED, PANEL GROUND, OFFSET, CAT 5		
CUSTOMER DRAWING			00779 ©=6368168		