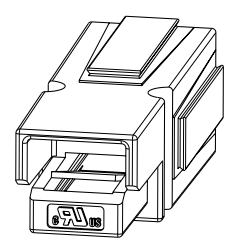
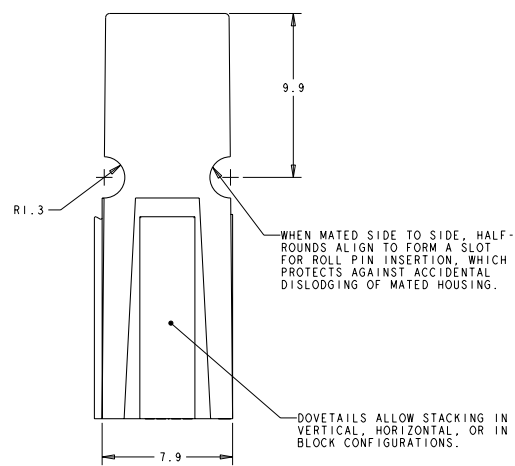
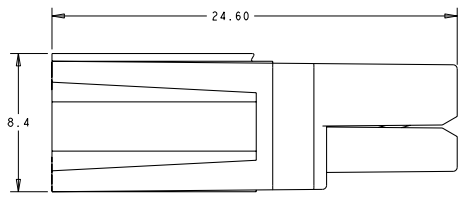
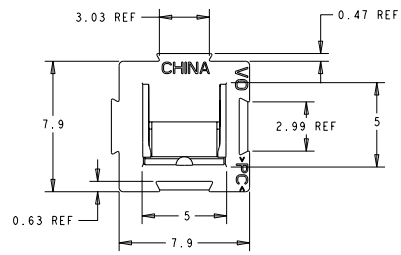


THIS DRAWING IS UNPUBLISHED. RELEASED FOR PUBLICATION. ALL RIGHTS RESERVED.

REVISIONS				
P	LY#	DESCRIPTION	DATE	BY
B2		REVISED PER ECO-11-004820	11MAR2011	RK HMR



1. SPRING/HOUSING ASSEMBLIES ARE UL AND CSA RECOGNIZED PER FILE TBD.
2. THESE HOUSING ASSEMBLIES ACCOMMODATE TE CONNECTIVITY CONTACTS FOR WIRE RANGES FROM #20 AWG TO #10 AWG.
3. HOUSING: POLYCARBONATE, UL94V0. SPRING: STAINLESS STEEL.



BROWN	1445957-9
GRAY	1445957-8
ORANGE	1445957-7
YELLOW	1445957-6
RED	1445957-5
GREEN	1445957-4
WHITE	1445957-3
BLACK	1445957-2
BLUE	1445957-1
COLOR	PART NUMBER

THIS PRODUCT HAS PASSED VERIFICATION AND AGENCY APPROVALS TESTING AND IS COMPONENT RECOGNIZED PER UL 1977 AND CSA 22.2. TE CONNECTIVITY PRODUCT QUALIFICATION TESTING IS NOT YET COMPLETE.

THIS DRAWING IS A CONTROLLED DOCUMENT.		OWN	D. HAYMAKER	06NOV01		
DIMENSIONS:		CHK	A. KETELSLEGER	25JAN02		
mm		APPD	A. KETELSLEGER	25JAN02		
TOLERANCES UNLESS OTHERWISE SPECIFIED:		NAME				
0 PLC	±0.13	PRODUCT SPEC				
1 PLC	±0.13	APPLICATION SPEC				
2 PLC	±0.13	WEIGHT				
3 PLC	±0.13	SIZE				
4 PLC	±0.13	CASE CODE				
ANGLES	±0.1	DRAWING NO				
FINISH	-	REV				
MATERIAL	-	CUSTOMER DRAWING				
		SCALE				
		SHEET				
		OF				
		REV				