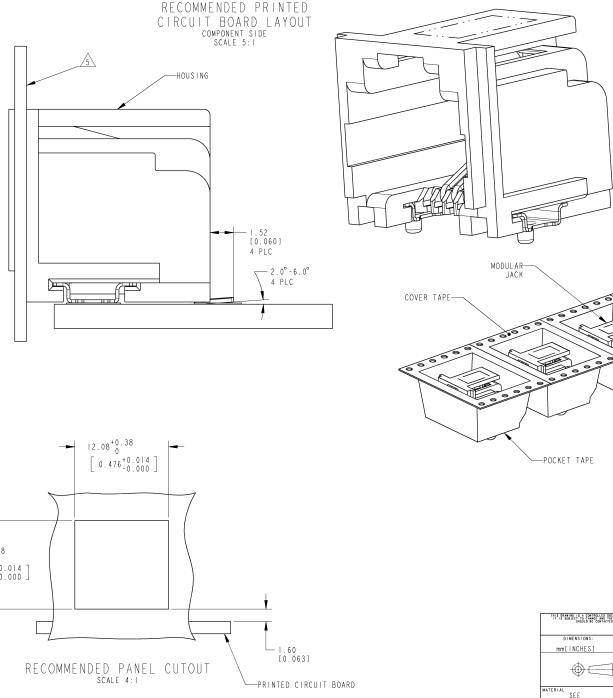
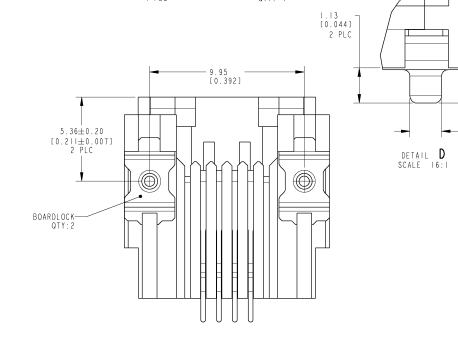
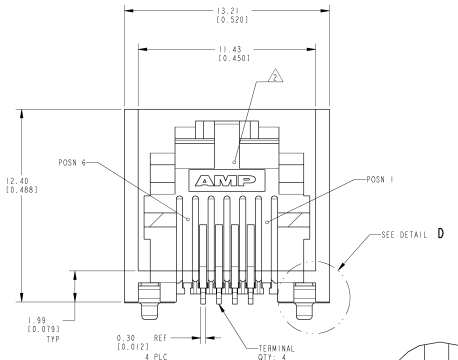
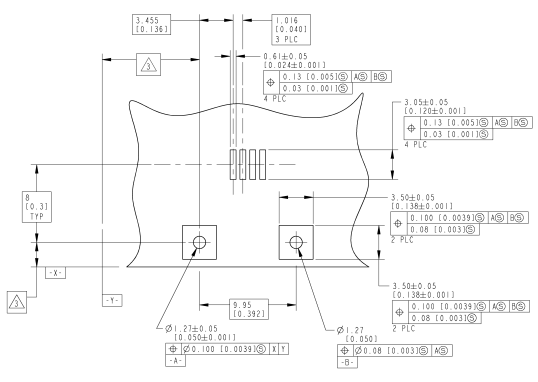
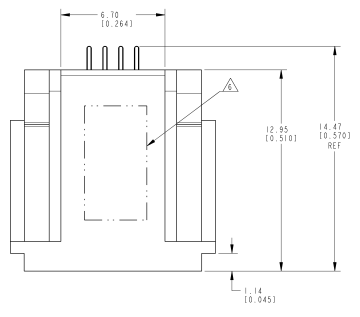


8	7	6	5	4	3	2	1
DATE DRAWN TO CONFORMANCE BY THIS ELECTRONICS COMPANY ON ALL NEW PRODUCTS		RECESS TOP PANEL CUTOUT					
COMPLIANT TO		BY THIS ELECTRONICS COMPANY ON ALL NEW PRODUCTS					

REV	DATE	BY	DESCRIPTION	DATE	CHK	APP
A	-	-	FIRST ISSUE	240620	PCR	TGB
B	-	-	ECR-09-022021	080720	PS	PCR
-	-	-	-	-	-	-
-	-	-	-	-	-	-



- △ MATERIAL: HOUSING - HIGH TEMPERATURE THERMOPLASTIC, PA BT COLOR - BLACK. TERMINALS - 0.31 (0.012) THICK COPPER ALLOY PLATED WITH 1.2µm (0.00005) MINIMUM GOLD IN LOCALIZED GOLD PLATE AREA. 2.5µm (0.0001) MINIMUM MATTE TIN ON TERMINATION END, BOTH OVER 1.2µm (0.00005) MINIMUM NICKEL OVER ENTIRE TERMINAL TERMINAL - PHOS BRONZE, 1/2 HARD, 3.0µm (0.0001) MINIMUM MATTE TIN OVER 1.2µm (0.00005) MINIMUM NICKEL ON TERMINAL END.
- △ JACK CAVITY CONFORMS TO FCC 47 RULES AND REGULATIONS, PART 68 SUBPART F.
- △ DATUM ESTABLISHED BY CUSTOMER.
- △ PACKAGING TAPE AND REEL: EPER EJA 481 SPECI REFER 101-64184  
30mm WIDE TAPE  
24mm POCKET PITCH  
50mm REEL DIA  
600 PIECES PER REEL
- △ CONNECTOR SHOULD BE POSITIONED THROUGH PANEL CUTOUT AS SHOWN TO SUPPORT TOP OF MODULAR JACK FOR STRAIN RELIEF.
- △ MANUFACTURING DATE CODE LOCATED APPROXIMATELY AS SHOWN. FIRST 2 DIGITS ARE YEAR, SECOND 2 DIGITS ARE WORK WEEK, AND LAST DIGIT IS THE DAY OF THE WEEK.
- △ PACKAGING TAPE AND REEL: EPER EJA 481 SPECI REFER 101-64184  
30mm WIDE TAPE  
24mm POCKET PITCH  
50mm REEL DIA  
200 PIECES PER REEL

1551040-2	1551040-1
PACKAGING	P278

1551040-1 AS SHOWN	1551040-2	1551040-1																																
PACKAGING	P278																																	
<table border="1"> <tr> <th>DESCRIPTION</th> <th>QTY</th> <th>UNIT</th> <th>REVISION</th> <th>DATE</th> <th>BY</th> <th>CHK</th> <th>APP</th> </tr> <tr> <td>MODULAR JACK ASSEMBLY, 1 PORT, 6/4 POSN, SURFACE MOUNT, RIGHT ANGLE, WITH INWARD BOARDLOCKS</td> <td>1</td> <td>PCB</td> <td>1</td> <td>240620</td> <td>PCR</td> <td>TGB</td> <td></td> </tr> <tr> <td>DATE CODE</td> <td>114-0620</td> <td></td> <td></td> <td></td> <td></td> <td></td> <td></td> </tr> <tr> <td>CUSTOMER DRAWING</td> <td>00779</td> <td>1551040</td> <td></td> <td></td> <td></td> <td></td> <td></td> </tr> </table>			DESCRIPTION	QTY	UNIT	REVISION	DATE	BY	CHK	APP	MODULAR JACK ASSEMBLY, 1 PORT, 6/4 POSN, SURFACE MOUNT, RIGHT ANGLE, WITH INWARD BOARDLOCKS	1	PCB	1	240620	PCR	TGB		DATE CODE	114-0620							CUSTOMER DRAWING	00779	1551040					
DESCRIPTION	QTY	UNIT	REVISION	DATE	BY	CHK	APP																											
MODULAR JACK ASSEMBLY, 1 PORT, 6/4 POSN, SURFACE MOUNT, RIGHT ANGLE, WITH INWARD BOARDLOCKS	1	PCB	1	240620	PCR	TGB																												
DATE CODE	114-0620																																	
CUSTOMER DRAWING	00779	1551040																																