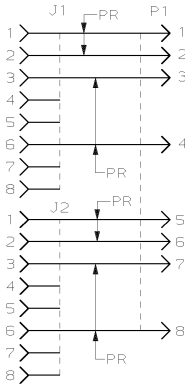
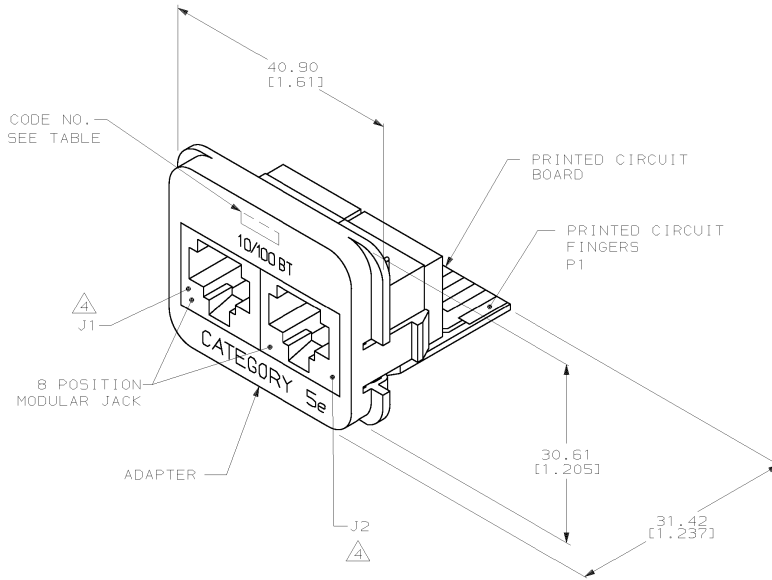


THIS DRAWING IS UNPUBLISHED. RELEASED FOR PUBLICATION 19
 © COPYRIGHT 19 BY AMP INCORPORATED. ALL INTERNATIONAL RIGHTS RESERVED.

LOG	DIST	P	F	ZONE	LTR	REVISIONS	DATE	APPO
HM	00					D REV; EC 0B40-0292-00	05JAN01	SG MD



ELECTRICAL SCHEMATIC

THIS DRAWING IS A CONTROLLED DOCUMENT FOR AMP INCORPORATED. IT IS SUBJECT TO CHANGE AND THE CONTROLLING ENGINEERING ORGANIZATION SHOULD BE CONTACTED FOR THE LATEST REVISION.

- ⚠ DIMENSIONS ARE MAXIMUM.
- ⚠ MATERIAL: PRINTED CIRCUIT BOARD-LAMINATED PLASTIC SHEET, 1.57 [0.062] THICK. ADAPTER-ABS MOLDING COMPOUND, SEE TABLE. PRINTED CIRCUIT FINGERS-0.51μm [0.000020] MINIMUM GOLD PLATE OVER 1.27μm [0.000050] MINIMUM NICKEL PLATE.
- 3. THIS INSERT IS DESIGNED TO MATE WITH AMP INC. EDGE CONNECTOR KIT AND WALLBOX KITS.
- ⚠ THIS INTERCONNECT MEETS THE REQUIREMENTS OF IEC 603-7.

BLACK	280-6	IVORY	557280-6
BLACK	280-5	WHITE	557280-5
BLACK	280-4	NEMA GRAY	557280-4
WHITE	280-3	BLACK	557280-3
BLACK	280-1	LIGHT ALMOND	557280-1

MARKINGS COLOR	CODE NO.	ADAPTER COLOR	PART NO
DO NOT SCALE PRINT. UNLESS SPECIFIED DIMENSIONS IN mm (INCHES) TOLERANCES ON : 2 PL C DEC ± - 3 PL C DEC ± - ANGLES ± -	DR 5-10-93 C-YATES	AMP Incorporated Harrisburg, PA 17105-3608	
MATERIAL	CHK 5-13-93 C.WHITT		
FINISH	APPD 5-17-93 J.R.SCHLUNZ	NAME INSERT ASSEMBLY, DUAL, RJ45, 10/100BT, CATEGORY 5e, AMP COMMUNICATION OUTLET	
	APPD 5-17-93 B.YARBORO	PRODUCT SPEC -	
	APPLICATION SPEC -	SIZE C	CAGE CODE 00779
	WEIGHT -	SCALE 2:1	DRAWING NO C=557280
			SHEET 1 OF 1