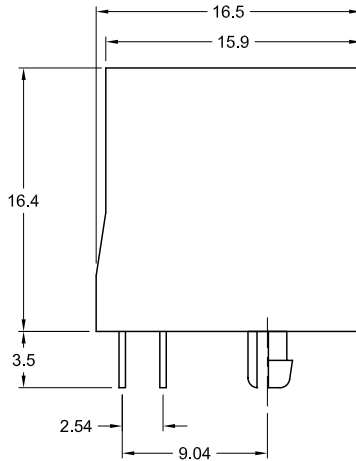
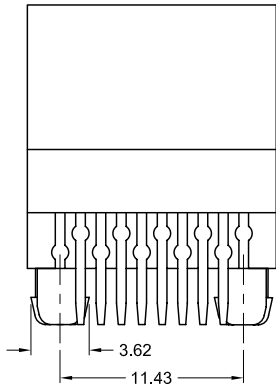


Recommended PCB Layout  
(Top View)

(Pins 1, 10 not shown in this view)



**Materials and Finish**

Housing Material-  
PBT  
UL 94V-0 Rated  
Color: Black

Contact Material-  
Phosphor Bronze

Plating Options-  
Standard: 0.0001" Nickel  
Plating, Selective Plating  
0.000015" Gold on Contact  
Area, Tin on  
Termination End

50: 0.0001" Nickel Plating,  
Selective Plating 0.000050"  
Gold on Contact Area to  
Comply with FCC Requirements  
Under No. 47 C.F.R. Part 68,  
Subpart F, Tin on  
Termination End

**Electrical Characteristics**

Current Rating-  
1.5 Amps

Voltage Rating-  
125V DC

Insulation Resistance-  
500 Megohms Min.

Dielectric Withstanding Voltage-  
1000V rms, 60Hz

Contact Resistance-  
20 milliohms Max.

Operating Temperature-  
-40°C to +85°C

Part Number	Contact Area Plating Finish
GDX-PN-1010	15u" Gold (standard)
GDX-PN-1010-50	50u" Gold (50 option)



Tolerances
X.X ± 0.25
X.XX ± 0.15
Unless Stated Otherwise

REV.	DATE	DESCRIPTION	REV. BY	CHK. BY	DRAWN BY	DATE
A0	9/15/05	New Drawing	R. Aguirre	N.Chang	R. Aguirre	9/15/05
A1	05/14/10	ECO #10-025	S. Vien	H. MA		

**GDX-PN-1010**

UNITS  
mm

Perpendicular, PCB Mount Mod. Jack, RoHS Compliant  
10 Position, 10 Contacts, No Panel Stops

