


VS-SI-EB-EMV-2

Order No.: 1656495

<http://eshop.phoenixcontact.de/phoenix/treeViewClick.do?UID=1656495>

Mounting frame, for two front plates or sockets, metal frame, matt nickel-plated, electrically conductive, transparent cover

Commercial data

GTIN (EAN)	
sales group	D550
Pack	1 pcs.
Customs tariff	85389099
Catalog page information	Page 444 (PC-2011)

Product notesWEEE/RoHS-compliant since:
04/01/2006

<http://www.download.phoenixcontact.com>
Please note that the data given here has been taken from the online catalog. For comprehensive information and data, please refer to the user documentation. The General Terms and Conditions of Use apply to Internet downloads.

Technical data**General data**

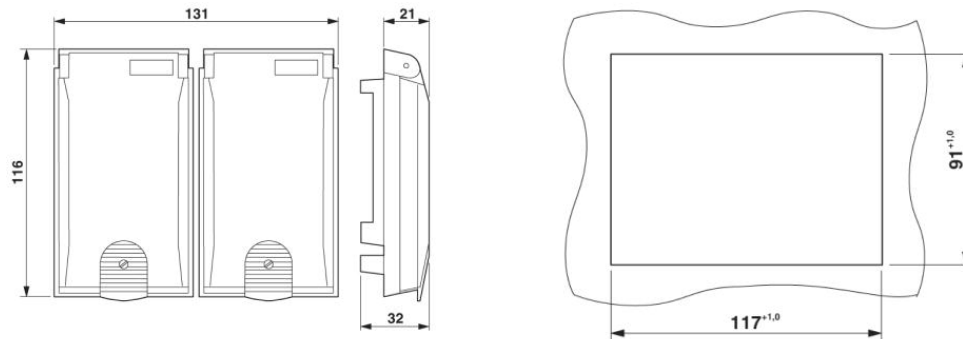
Type	For 2 front plates
Height	120 mm
Width	130 mm
Degree of protection	IP65
Ambient temperature (operation)	-10 °C ... 60 °C
Housing material	Zinc alloy
Housing surface material	Nickel-plated
Inflammability class acc. to UL 94	V0

Accessories

Item	Designation	Description
Female insert		
1656505	VS-SI-SD-DE	Ground contact socket, exclusively for service interface order no. 1656482 and 1656495, plastic, for Germany
1656518	VS-SI-SD-DE-G	Ground contact socket, exclusively for service interface order no. 1656482 and 1656495, plastic, for Germany, yellow
1656534	VS-SI-SD-FR	Ground contact socket, exclusively for service interface order no. 1656482 and 1656495, plastic, for France
1656547	VS-SI-SD-GB	Ground contact socket, exclusively for service interface order no. 1656482 and 1656495, plastic, for Great Britain
1656550	VS-SI-SD-IT	Ground contact socket, exclusively for service interface order no. 1656482 and 1656495, plastic, for Italy
1656521	VS-SI-SD-USA	Ground contact socket, exclusively for service interface order no. 1656482 and 1656495, plastic, for USA
General		
1656660	VS-SI-BZ	Marker label, plastic, plate with 20 labels

Diagrams/Drawings

Dimensioned drawing



Mounting frame

Panel cutout

Address

PHOENIX CONTACT Inc., USA
586 Fulling Mill Road
Middletown, PA 17057, USA
Phone (800) 888-7388
Fax (717) 944-1625
<http://www.phoenixcon.com>



© 2011 Phoenix Contact
Technical modifications reserved;